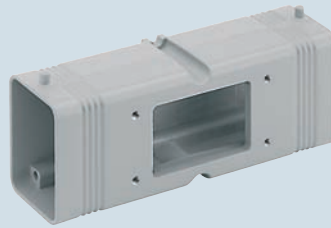


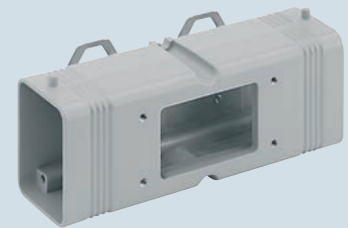
enclosures:
size "44.27"
size "57.27"

- degree of protection IP65
(according to EN 60529)

1 branch-off T-BOX coupling



1 branch-off T-BOX coupling
to be fitted on DIN rails



description

part No.

part No.

for 2 **C** hoods with lever and gasket "44.27" size and one housing "44.27" **A** size

CYG 06H06

for 2 **C** hoods with lever and gasket "44.27" size and one housing "57.27" **A** size

CYG 06H10

for 2 **C** hoods with lever and gasket "44.27" size and one housing "44.27" **A** size

CYG 06H06D

for 2 **C** hoods with lever and gasket "44.27" size and one housing "57.27" **A** size

CYG 06H10D

How to use the CYG 06H branch coupling

The cables are branched off by using the CYG 06H coupling in the 1 or 2 branch-off versions. Multi-pole inserts "44.27" size can be fitted inside the two side recesses.

The entire unit can be used with one lever hoods complete with connector inserts.

The front faces can be fitted with "44.27" and/or "57.27" size bulkhead housings.

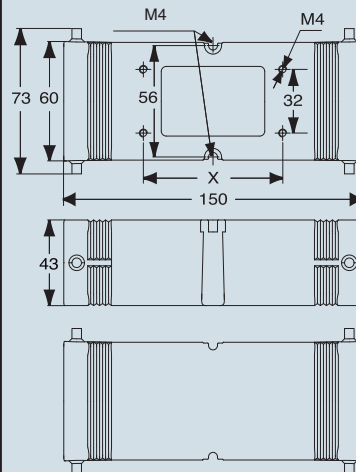
The coupling may also be used as an adapter by using a combination of different insert versions.

The CHC 06 LG cover may be used to close the coupling side faces.

In the branch-offs, the CSS series dual spring terminal inserts allow two wires to be connected without having to fit additional terminals inside the coupling.

dimensions in mm

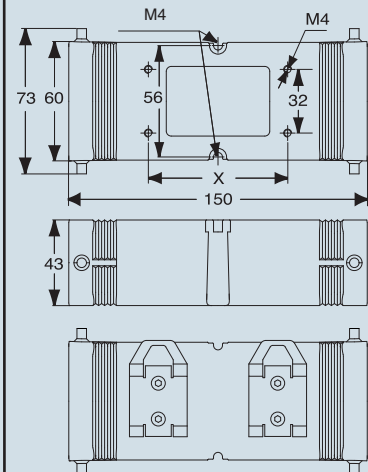
CYG...H06 / H10



part No.	X
CYG 06H06	70
CYG 06H10	83

dimensions in mm

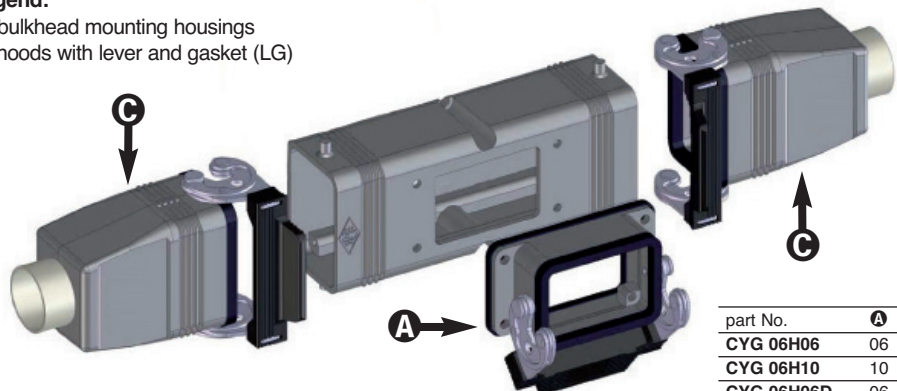
CYG...H06D / H10D



part No.	X
CYG 06H06D	70
CYG 06H10D	83

Legend:

- A** bulkhead mounting housings
- C** hoods with lever and gasket (LG)



part No.	A	C
CYG 06H06	06	06
CYG 06H10	10	06
CYG 06H06D	06	06
CYG 06H10D	10	06

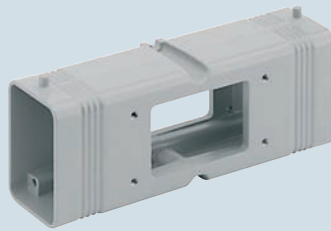
CALUS Type 4/4X/12

dimensions shown are not binding
and may be changed without notice

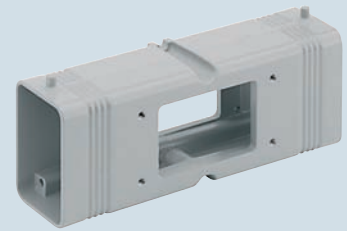
enclosures:
size "44.27"
size "57.27"

- degree of protection IP65
(according to EN 60529)

2 branch-off T-BOX coupling



2 branch-off T-BOX coupling



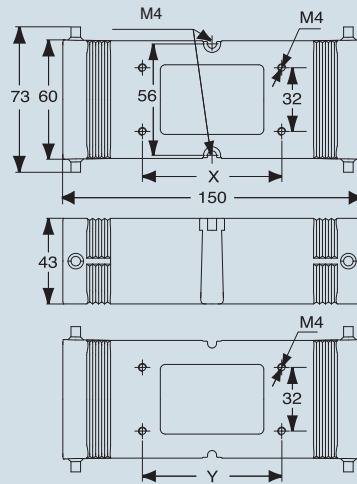
description	part No.	part No.
for 2 C "44.27" size hoods with lever and gasket and 1 "44.27" B size fixing side housing and one "57.27" A size housing	CYG 06H0610	
for 2 C "44.27" size hoods with lever and gasket and 1 "57.27" B size fixing side housing and one "44.27" A size enclosure	CYG 06H1006	
for 2 C "44.27" size hoods with lever and gasket and two "44.27" A and B size housing		CYG 06H0606
for 2 C "44.27" size hoods with lever and gasket and two "57.27" A and B size housing		CYG 06H1010

How to use the CYG 06H branch coupling

The cables are branched off by using the CYG 06H coupling in the 1 or 2 branch-off versions. Multi-pole inserts "44.27" size can be fitted inside the two side recesses. The entire unit can be used with one lever hoods complete with connector inserts. The front faces can be fitted with "44.27" and/or "57.27" size bulkhead housings. The coupling may also be used as an adapter by using a combination of different insert versions. The CHC 06 LG cover may be used to close the coupling side faces. In the branch-offs, the CSS series dual spring terminal inserts allow two wires to be connected without having to fit additional terminals inside the coupling.

dimensions in mm

CYG...H0610 / H1006 and CYG...H0606 / H1010

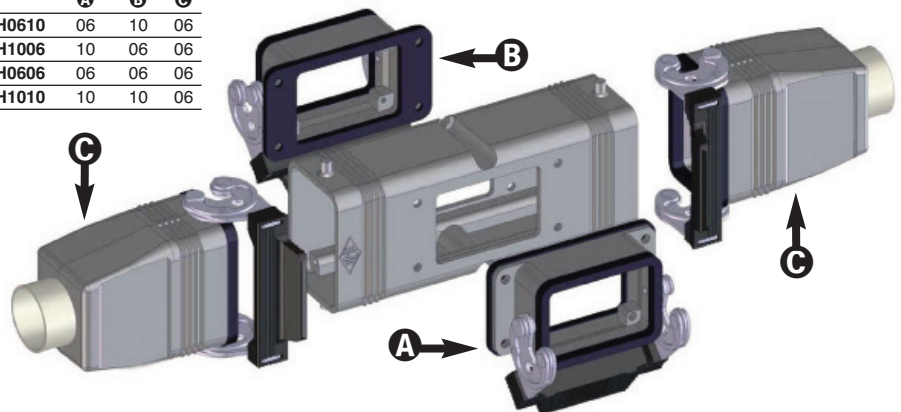


part No.	X	Y
CYG 06H0610	83	70
CYG 06H1006	70	83
CYG 06H0606	70	70
CYG 06H1010	83	83

Legend:

- A** bulkhead mounting housings
- B** bulkhead mounting housings
- C** hoods with lever and gasket (LG)

part No.	A	B	C
CYG 06H0610	06	10	06
CYG 06H1006	10	06	06
CYG 06H0606	06	06	06
CYG 06H1010	10	10	06



CALUS Type 4/4X/12

dimensions shown are not binding and may be changed without notice

T-BOX