

insert joining block



metal replacement handles



description	part No.	part No.
-------------	----------	----------

made of die cast aluminium alloy to mate two inserts (see below)

CBGF

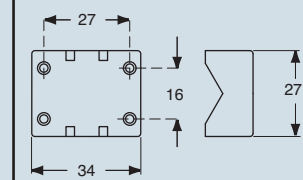
to replace thermoplastic handles
2 component kit for dual lever enclosures ¹⁾

CR TM-1

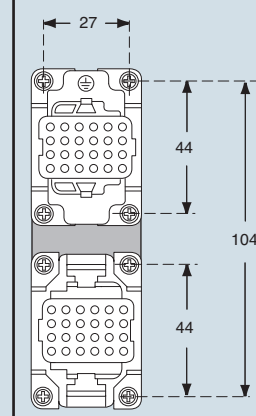
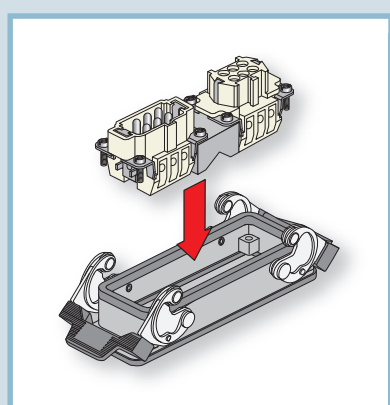
¹⁾ can only be used on dual lever enclosures sizes 57.27, 77.27 and 104.27

dimensions in mm

- CBGF combination block**
- Allows two "44.27 size" inserts to be inserted in "104.27 size" enclosures and on the following COB series items: COB TCQ, COB 24 BC, COB TSF, COB TSFS, COB 24 CMS
 - Allows female contacts and male contacts in the same enclosure or mounting
 - Allows mixed type contacts in the same enclosure or mounting (for example, 6 poles 16A CNEF + 24 poles 10A CDDF)



- C-TYPE enclosures (with two levers only):
- size "57.27" from page 244
 - size "77.27" from page 250
 - size "104.27" from page 258



enclosures :
size "104.27" from page 258

panel supports:
COB page 462 - 463

inserts with screw fixing centre distance:
(2x) 44 x 27 mm

dimensions shown are not binding and may be changed without notice

enclosures *):
size "104.62"

page:

C-TYPE IP65/IP66 271

* normally bulkhead type

**kit for control equipment
plate only**



**kit for control equipment
plate with enclosure**



description	part No.	for enclosure	part No.
-------------	----------	---------------	----------

with Schuko® socket 16A and 2 seats for: CR 09 AD, CR 15 AD, CR 25 AD plates	SDS	CHI 48 LS	
---	------------	-----------	--

with Schuko® socket 16A and 2 seats for: CR 09 AD, CR 15 AD, CR 25 AD plates			CHSDS
---	--	--	--------------

Kit for control equipment

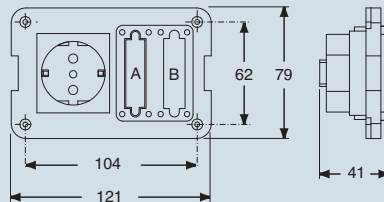
For machinery or command equipment that need connection with programming and control electronic devices.

The kit includes the Schuko® socket and 2 seats for the CR...AD plates (not included) for D-SUB inserts (not included).

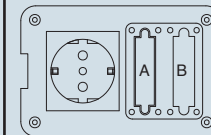
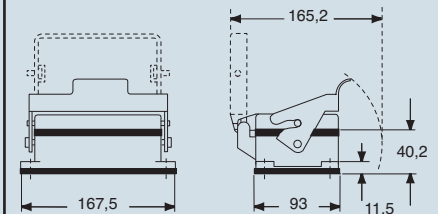
Personal computers, notebooks or printers can be power supplied using a 16A socket.

Monitors, printers and other peripheral devices may be interfaced using D-SUB connectors

dimensions in mm



dimensions in mm



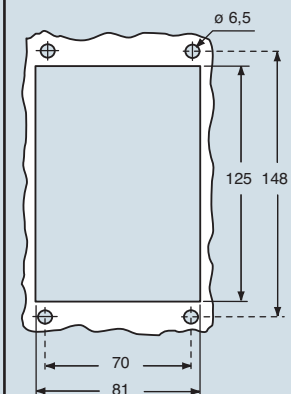
Closed seat "A" for use with one insert only. The closing is achieved by means of a plastic membrane that can easily be removed if the second seat is required.

CR.. AD plates to be ordered separately

CR...AD plates usable

part No.	
CR 09 AD	for 1 D-SUB insert 9 poles (not included)
CR 15 AD	for 1 D-SUB insert 15 poles (not included)
CR 25 AD	for 1 D-SUB insert 25 poles (not included)

housing panel cut-out in mm



dimensions shown are not binding
and may be changed without notice

enclosures:

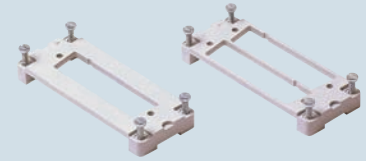
- size "49.16" from page 230
- size "66.16" from page 233
- size "44.27" from page 240
- size "57.27" from page 244
- size "77.27" from page 250

Use M3 passing screws tightened with nut and washer (not included).
Verify connection continuity of coupled connectors

plates for D-SUB inserts (IEC 60807-2)
CZ / MZ / MZF enclosures



plates for D-SUB inserts (IEC 60807-2)
CH / CA and MH / MA / MF enclosures



description	part No.	for enclosures size	part No.	for enclosures size
for 1 D-SUB insert 9 poles (not included)	CR 09 AD	"49.16"	CR 09 AD1	"44.27"
for 1 D-SUB insert 15 poles (not included)	CR 15 AD	"49.16"	CR 15 AD1	"44.27"
for 1 D-SUB insert 25 poles (not included)	CR 25 AD	"49.16"	CR 25 AD1	"57.27"
for 1 D-SUB insert 37 poles (not included)	CR 37 AD	"66.16"	CR 37 AD1	"77.27"
for 1 D-SUB insert 50 poles (not included)	CR 50 AD	"66.16"	CR 50 AD1	"77.27"
for 2 D-SUB inserts 9 poles (not included)			CR 09 AD2	"44.27"
for 2 D-SUB inserts 15 poles (not included)			CR 15 AD2	"44.27"
for 2 D-SUB inserts 25 poles (not included)			CR 25 AD2	"57.27"
for 2 D-SUB inserts 37 poles (not included)			CR 37 AD2	"77.27"
for 2 D-SUB inserts 50 poles (not included)			CR 50 AD2	"77.27"

Plates CR...AD, CR...AD1 and CR...AD2

For machinery or command equipment that need connection with programming and control electronic devices. The plate housings have notches for the rear insertion of cabled D-SUB inserts.

CR...AD

mounting on bulkhead housings and hoods
one-way mounting in bulkhead housings or hoods.

CR...AD1 and CR...AD2

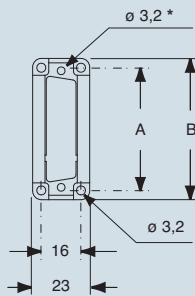
mounting on bulkhead housings (Figure 1)
The D-SUB connector must be mounted on the side marked with the letter "A"

mounting on hoods (Figure 2)

The D-SUB connector must be mounted on the side marked with the letter "T"

dimensions in mm

CR...AD



* For passing screws type M3

The electrical continuity is guaranteed only if mounted in our enclosures.

part No.	A	B
CR 09 AD	49,5	56,5
CR 15 AD	49,5	56,5
CR 25 AD	49,5	56,5
CR 37 AD	66	73,5
CR 50 AD	66	73,5

dimensions in mm

CR...AD1

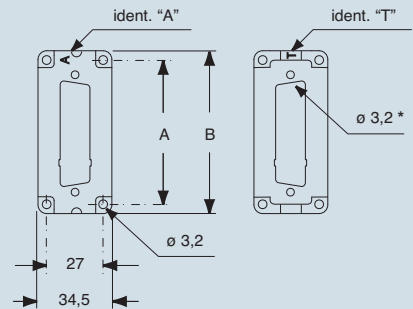


Figure 1

Figure 2

CR...AD2

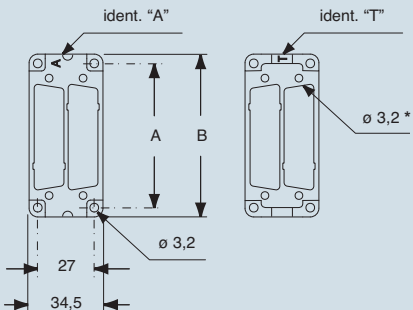
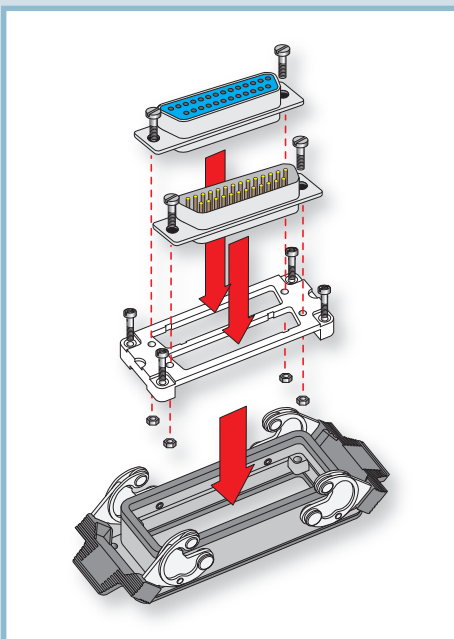


Figure 1

Figure 2

* For passing screws type M3

part No.	A	B
CR 09 AD1 / 2	44	51,5
CR 15 AD1 / 2	44	51,5
CR 25 AD1 / 2	57	64,5
CR 37 AD1 / 2	77,5	85
CR 50 AD1 / 2	77,5	85



dimensions shown are not binding
and may be changed without notice

enclosures:

- size "44.27" from page 240
- size "57.27" from page 244
- size "77.27" from page 250
- size "104.27" from page 258

24 pole closure or reduction plate



extraction tool for MIXO BUS connectors

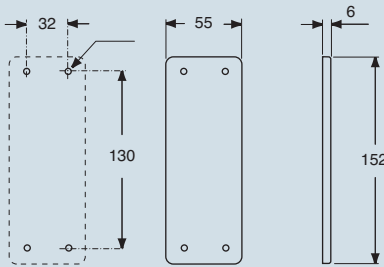


description	part No.	part No.
in autoextinguishing thermoplastic resin with gasket in vinyl-nitrile elastomer	CRH 24	
in self-extinguishing thermoplastic resin with gasket in vinyl-nitrile elastomer - for bulkhead mounting housings * size "44.27" - for bulkhead mounting housings * size "57.27" - for bulkhead mounting housings * size "77.27" - for bulkhead mounting housings * size "104.27"	CRZ 06 CRZ 10 CRZ 16 CRZ 24	
for the extraction of the BUS shielded connectors from the MIXO BUS insert		CX BES

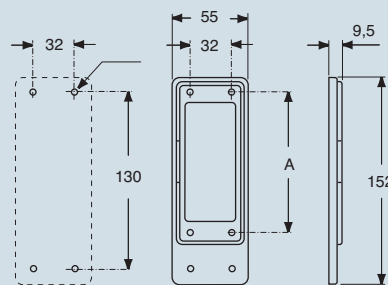
* Cannot be used with T-TYPE series and IP68 series

dimensions in mm

CRH 24



CRZ



CRZ	A
06	70
10	83
16	103
24	130

dimensions shown are not binding and may be changed without notice