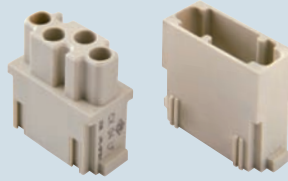


The modular inserts must be installed in suitable frames which are then mounted in traditional housings or COB panel support.

frames for modular units page: 214 - 215

modular units,
crimp / solder connections

crimp / solder coaxial contacts



description

part No.

part No.

without contacts (to be ordered separately)
- female inserts for female contacts
- male inserts for male contacts

CX 04 LF ¹⁾
CX 04 LM ¹⁾

female coaxial contacts 50Ω
male coaxial contacts 50Ω

CX 50 F
CX 50 M

female coaxial contacts 75Ω
male coaxial contacts 75Ω

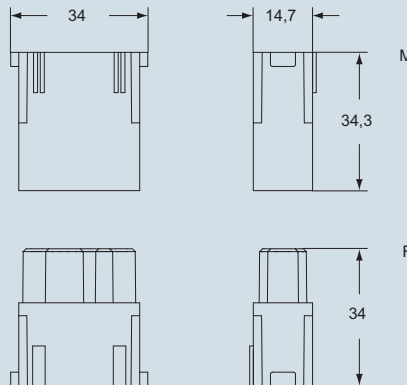
CX 75 F
CX 75 M

- inserts are made of self-extinguishing thermoplastic resin UL 94 V0
- mechanical life: ≥ 500 cycles
- in accordance with standard DIN 41626-2
- finishing: contact surfaces and body gold plated, back end and ferrule nickel plated
- frequency range: ≤ 2 GHz
- reflection coefficient: ≤ 0.1
- rated voltage: 50V
- rated current: 1.5A
- to crimp contacts CX 50 M/F, CX 75 M/F use tool COPZ (see the crimping tool section on page 552).

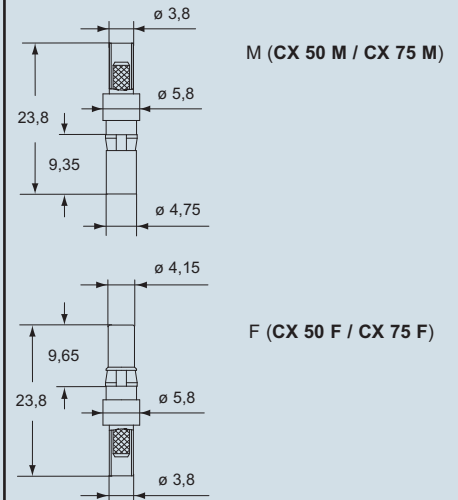
¹⁾ cUL (UL for USA and Canada), EAC certified

dimensions in mm

CX 04 LF / LM



dimensions in mm

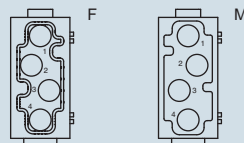


Warnings:

We recommend the use of code pins **CRF CX / GRM CX**.

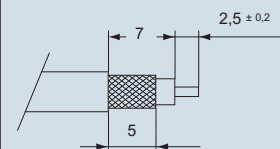
contacts side (front view)

side with reference arrow ▲



- 1 frame slot

conductor stripping



coaxial contacts	for cables	ø external	part No.
50Ω	RG 316/U	2,49 ±0,1	CX 50 F CX 50 M
	RG 174/U	2,79 ±0,127	
	RG 188 A/U	2,79 max	
75Ω	RG 179 B/U	2,54 ±0,127	CX 75 F CX 75 M
	RG 187 A/U	2,79 max	
	TZC 75 101	2,79 max	

dimensions shown are not binding and may be changed without notice

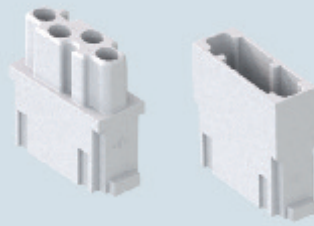
MIXO

The modular inserts must be installed in suitable frames which are then mounted in traditional housings or COB panel support.

frames for modular units page: 214 - 215

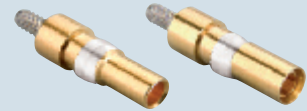
refer to catalogue page CN.16

modular units,
crimp connections



**AVAILABLE
NOVEMBER 2017**

crimp coaxial contacts



**AVAILABLE
NOVEMBER 2017**

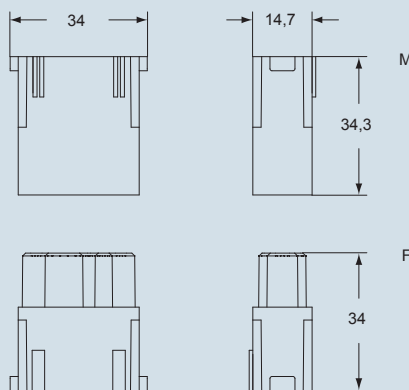
description	part No.	part No.
without contacts (to be ordered separately) - female inserts for female contacts - male inserts for male contacts	CX 04 RF CX 04 RM	
female coaxial contacts 50Ω male coaxial contacts 50Ω		CX 50 RF CX 50 RM
female coaxial contacts 75Ω male coaxial contacts 75Ω		CX 75 RF CX 75 RM

- inserts are made of self-extinguishing thermoplastic resin UL 94V-0
- mechanical life: ≥ 500 cycles
- in accordance with standard DIN 41626-T2
- finishing: contact surfaces, body, back end and ferrule gold plated
- impedance: 50 Ω
- frequency: DC to 6 GHz
- return loss: ≥ 21 dB, DC to 2 GHz
≥ 19 dB, 2 to 6 GHz
- insertion loss: ≤ 0,1 x √f(GHz) dB
- center contact resistance: ≤ 10 mΩ
- outer contact resistance: ≤ 3 mΩ
- test voltage: 750V rms
- working voltage: 250V rms
- RF-leakage: ≥ 80 dB up to 0,5 GHz
≥ 65 dB up to 1,5 GHz
- to crimp contacts CX 50 RM/RF, CX 75 RM/RF use tool COPZ R (see the crimping tool section on page 552 catalogue CN.16)

Warnings:
We recommend the use of code pins **CRF CX / CRM CX**.

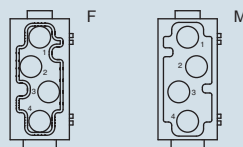
dimensions in mm

CX 04 RF / RM



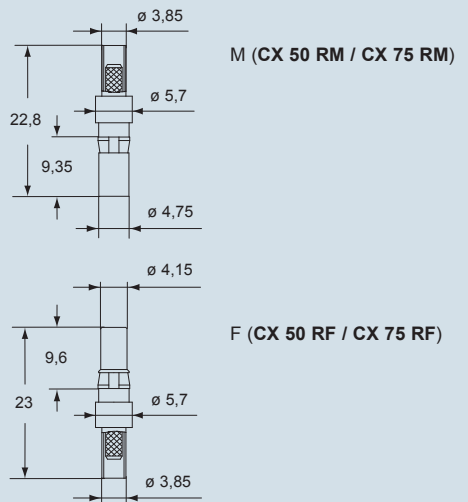
contacts side (front view)

side with reference arrow ▲

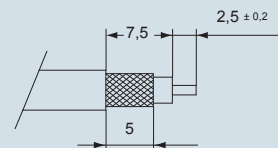


- 1 frame slot

dimensions in mm



conductor stripping



coaxial contacts	for cables	ø external	part No.
50Ω	RG 316/U	2,49 ±0,1	CX 50 RF
	RG 174 A/U	2,79 ±0,127	CX 50 RM
	RG 188 A/U	2,79 max	
75Ω	RG 179 B/U	2,54 ±0,127	CX 75 RF
	RG 187 A/U	2,79 max	CX 75 RM
	TZC 75 101	2,79 max	

dimensions shown are not binding and may be changed without notice