

panel fitted insert fastening screws



screws for second earth terminal



description

part No.

part No.

to be fitted instead of the current insert fastening screws

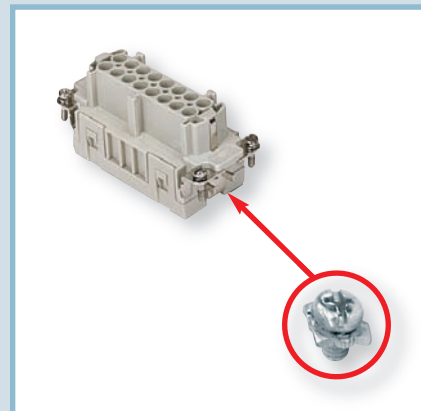
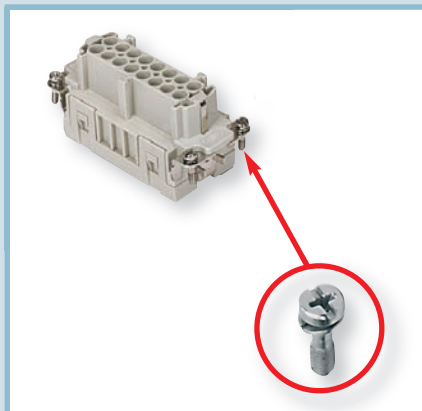
CRIC M3 *

- for CDA/CDC inserts
- for CD 15/25, CDD 38 inserts
- for CD 40/64, CDD 24/42/72/108, CQE, CNE, CSS, CX 8/24, CCE, CSE, CMSE, CME, CMCE, CSH inserts
- for CP, CX 12/2, CX 6/36, CX 4/0, CX 4/2 inserts

- CR VATG**
- CR VDTG**
- CR VNTG**
- CR VPTG**

ILME will not be responsible for any different mounting applications. It is the responsibility of the installer to ensure the correct coupling and earth contact of the inserts.

* The approved method of mounting inserts is by fixing the four screws in an ILME enclosure or housing.



dimensions shown are not binding and may be changed without notice

support for rail mounting
DIN EN 60715



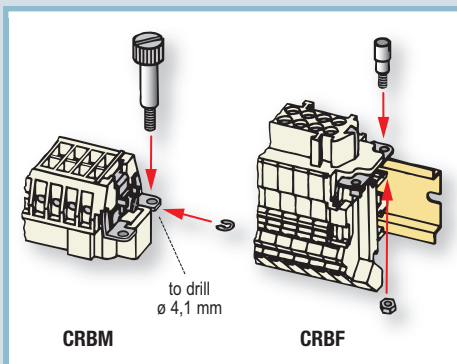
CT/CTS/CTSE inserts coupling screws
cable-clamping plates



description	part No.	part No.
supports for CT, CTS, CTSE inserts	CT APE	CRBF CRBM
bush for CT, CTS, CTSE inserts		CRAD CRAS
screw pin for CD, CNE, CCE, CSE, CSH inserts		
straight cable clamping plate		
angled cable clamping plate		

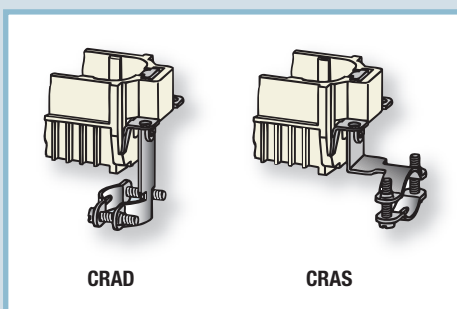
Coupling screws for CT/CTSE inserts

The use of CRBF (female) and CRBM (male) coupling screws is recommended to guarantee a stable and safe coupling between inserts (without enclosures) with terminal blocks and inserts without terminal blocks.

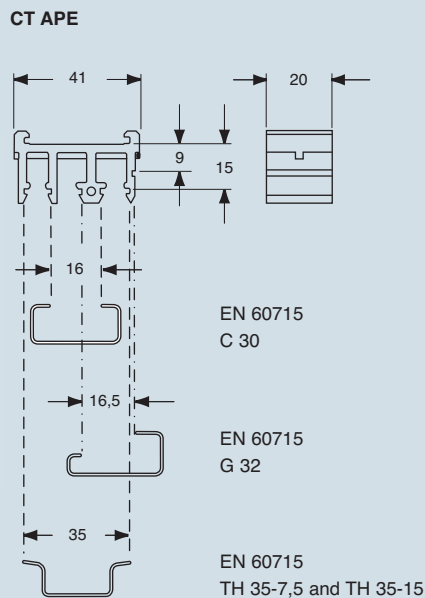


Use of cable-clamping plates

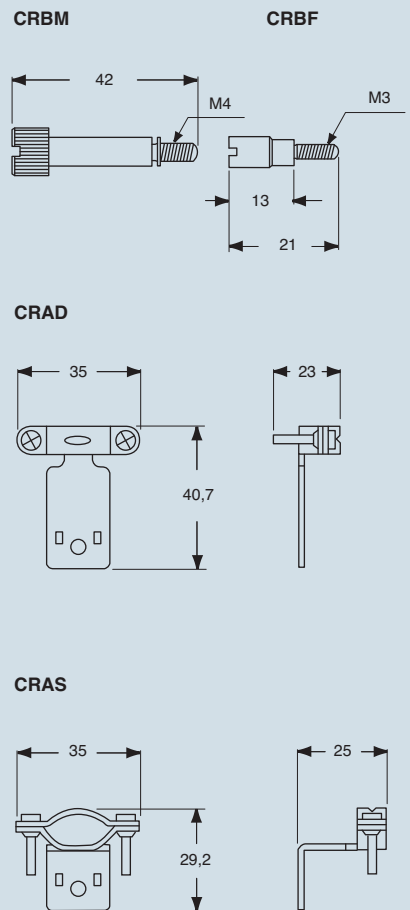
In accordance with the recommendations of standard IEC 60352-2, the weight of the conductor groups or multipolar cables must not cause any stress on the contacts inside the inserts. It is therefore advisable to use cable-clamping plates in those inserts without enclosures.



dimensions in mm



dimensions in mm



Note:
for conductor groups or cable with Ø min = 12 mm and Ø max = 23 mm

dimensions shown are not binding
and may be changed without notice