

Material Gehäuse / material enclosure: PBT

Einsatz / insert: PA 6 V2 GW 750

Dichtung / sealing: Standard NBR (auch in Viton lieferbar) / standard NBR (also available in VITON)

Kontakte / contacts: CuZn 35 Pb2, C43500 (Messing), goldbeschichtet / CuZn35 Pb2, C43500 (brass), gold-plated

Schraubverschluss / screw: Selbstsichernde Hutmutter aus Messing vernickelt / plated self-locking nut made of brass

Schutzart / protection grade: IP67

Kontaktwiderstand / contact resistance: max. 5 mΩ

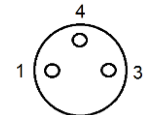
Isolationswiderstand / isolation resistance: $\geq 10^9 \Omega$

Steckzyklen / switching cycles: max. 1.000

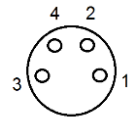
Nennstrom / nominal current: 2 A pro Ausgang / 8 A max / 2 A each output, max. 8 A

Nennspannung / nominal voltage: 10 - 30V DC

Temperaturbereich / temperature range: -20°C - +80°C



3 POLIG / 3-pole



4 POLIG / 4-pole

Typ PVC / type PVC

Material / material: Mantel PVC, Adern PVC / coat PVC, wires PVC

Temperaturbereich / temperature range: statisch / static -25°C - +70°C, bewegt / moving -5°C - +70°C

Typ PUR/PVC / type PUR/PVC

Material / material: Mantel PUR, Adern PVC / coat PUR, wires PVC

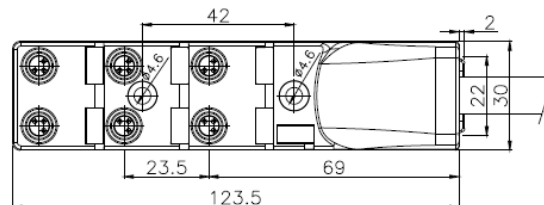
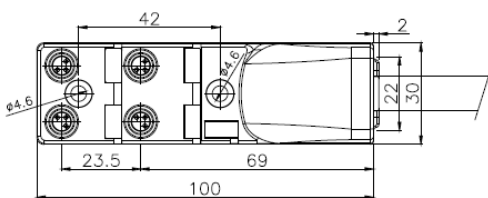
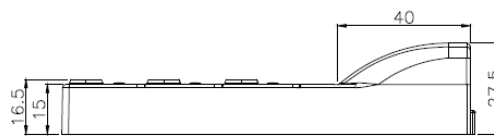
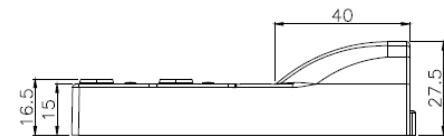
Temperaturbereich / temperature range: statisch / static -25°C - +80°C, bewegt / moving -5°C - +80°C

Typ PVC-UL / type PVC-UL

Material / material: Mantel PVC, Adern PVC / coat PVC, wires PVC

Temperaturbereich / temperature range: statisch / static -25°C - +70°C, bewegt / moving -5°C - +70°C

GOGAPLUG M8 mit integr. Kabel ohne LED / M8 w. integr. cable and LED



Anschlüsse	Pole	Länge	ArtNr	€	ArtNr	€	ArtNr	€
connections	pole	length	PVC/PUR-Leitung	/Stk.	PVC-Leitung	/Stk.	PUR UL-Leitung	/Stk.
			PVC/PUR-wire	/pc.	PVC-wire	/pc.	PUR UL-wire	/pc.
4	3	5	34-D08-3S4-500-180	a.A.	34-D08-3S4-500-080	a.A.	34-D08-3S4-500-380	a.A.
		10	34-D08-3S4-10K-180	a.A.	34-D08-3S4-10K-080	a.A.	34-D08-3S4-10K-380	a.A.
		15	34-D08-3S4-15K-180	a.A.	34-D08-3S4-15K-080	a.A.	34-D08-3S4-15K-380	a.A.
	4	5	34-D08-4S4-500-182	a.A.	34-D08-4S4-500-082	a.A.	34-D08-4S4-500-382	a.A.
		10	34-D08-4S4-10K-182	a.A.	34-D08-4S4-10K-082	a.A.	34-D08-4S4-10K-382	a.A.
		15	34-D08-4S4-15K-182	a.A.	34-D08-4S4-15K-082	a.A.	34-D08-4S4-15K-382	a.A.
6	3	5	34-D08-3S6-500-181	a.A.	34-D08-3S6-500-081	a.A.	34-D08-3S6-500-381	a.A.
		10	34-D08-3S6-10K-181	a.A.	34-D08-3S6-10K-081	a.A.	34-D08-3S6-10K-381	a.A.
		15	34-D08-3S6-15K-181	a.A.	34-D08-3S6-15K-081	a.A.	34-D08-3S6-15K-381	a.A.
	4	5	34-D08-4S6-500-183	a.A.	34-D08-4S6-500-083	a.A.	34-D08-4S6-500-383	a.A.
		10	34-D08-4S6-10K-183	a.A.	34-D08-4S6-10K-083	a.A.	34-D08-4S6-10K-383	a.A.
		15	34-D08-4S6-15K-183	a.A.	34-D08-4S6-15K-083	a.A.	34-D08-4S6-15K-383	a.A.

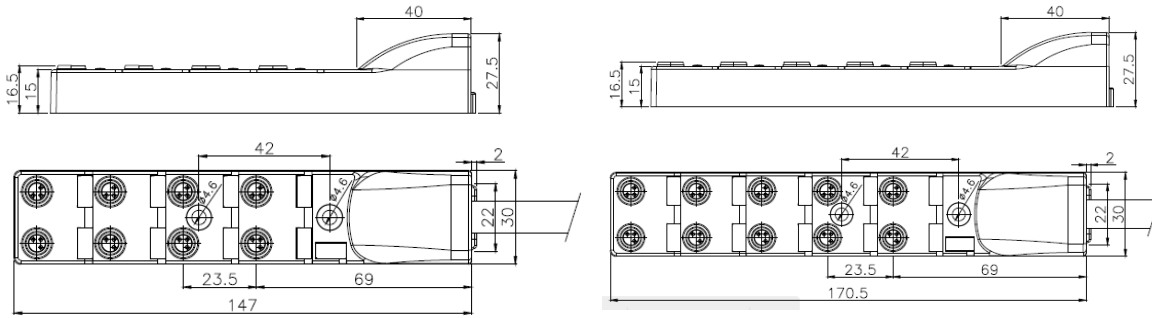
a. A. = auf Anfrage / upon request

Preise gültig ab 01.01.2023 exkl. MwSt., freibleibend, Auftragsrabatt auf Anfrage /

prices are valid from 01.01.2023 excl. VAT, subject to change, discounts upon request

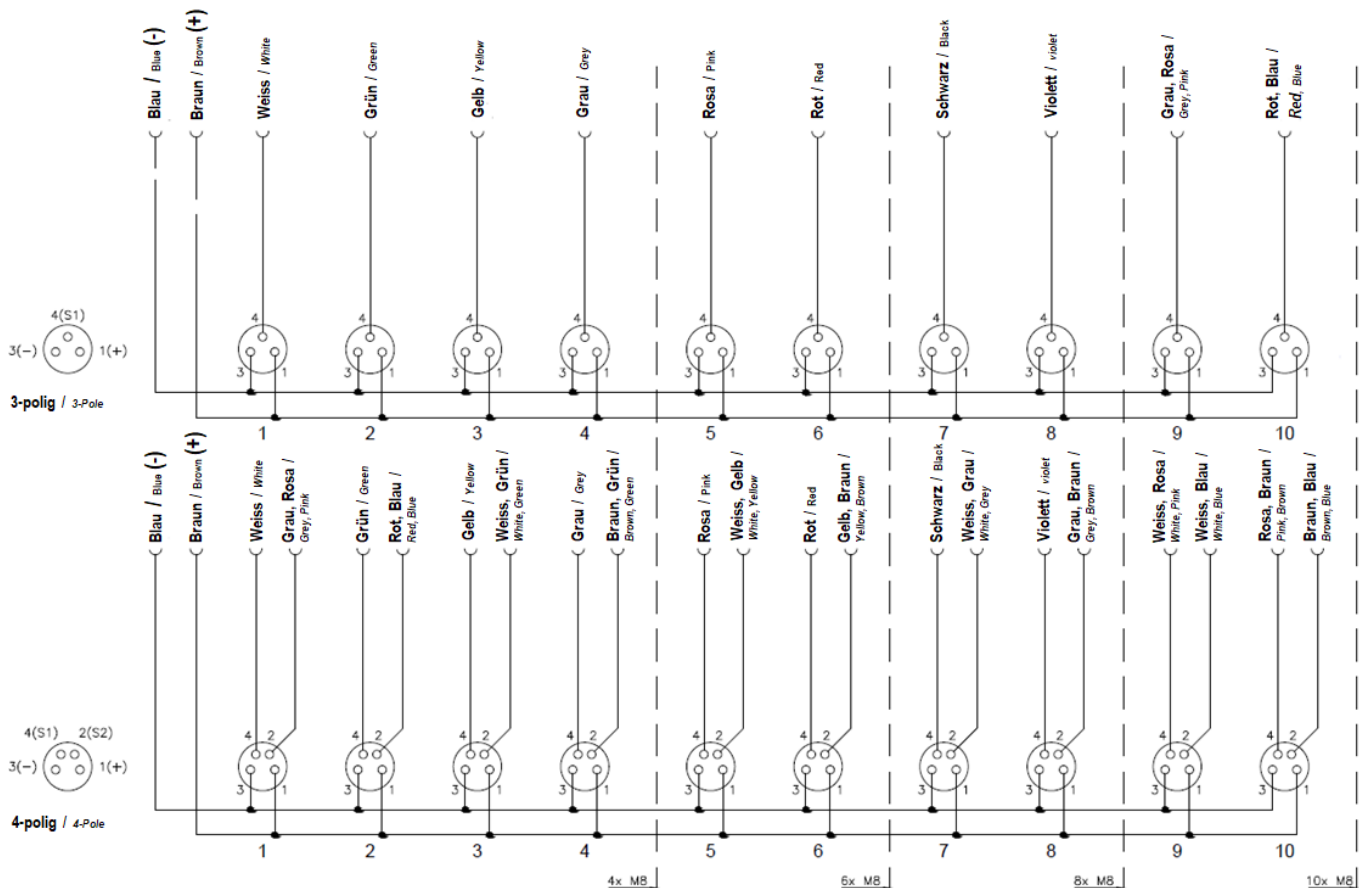
sonst. Konditionen siehe www.gogatec.com/AGB.pdf, techn. Änderungen vorbehalten /

terms & conditions can be found on our website: www.gogatec.com/AGB.pdf; error, technical modifications and variations are reserved



Anschlüsse connections	Pole pole	Länge m length	ArtNr PVC/PUR-Leitung PVC/PUR-wire	€ /Stk. /pc.	ArtNr PVC-Leitung PVC-wire	€ /Stk. /pc.	ArtNr PUR UL-Leitung PUR UL-wire	€ /Stk. /pc.
8	3	5	34-D08-3S8-500-182	a.A.	34-D08-3S8-500-082	a.A.	34-D08-3S8-500-382	a.A.
		10	34-D08-3S8-10K-182	a.A.	34-D08-3S8-10K-082	a.A.	34-D08-3S8-10K-382	a.A.
		15	34-D08-3S8-15K-182	a.A.	34-D08-3S8-15K-082	a.A.	34-D08-3S8-15K-382	a.A.
	4	5	34-D08-4S8-500-182	a.A.	34-D08-4S8-500-082	a.A.	34-D08-4S8-500-382	a.A.
		10	34-D08-4S8-10K-182	a.A.	34-D08-4S8-10K-082	a.A.	34-D08-4S8-10K-382	a.A.
		15	34-D08-4S8-15K-182	a.A.	34-D08-4S8-15K-082	a.A.	34-D08-4S8-15K-382	a.A.
10	3	5	34-D08-3S0-500-185	a.A.	34-D08-3S0-500-085	a.A.	34-D08-3S0-500-385	a.A.
		10	34-D08-3S0-10K-185	a.A.	34-D08-3S0-10K-085	a.A.	34-D08-3S0-10K-385	a.A.
		15	34-D08-3S0-15K-185	a.A.	34-D08-3S0-15K-085	a.A.	34-D08-3S0-15K-385	a.A.
	4	5	34-D08-4S0-500-183	a.A.	34-D08-4S0-500-083	a.A.	34-D08-4S0-500-383	a.A.
		10	34-D08-4S0-10K-183	a.A.	34-D08-4S0-10K-083	a.A.	34-D08-4S0-10K-383	a.A.
		15	34-D08-4S0-15K-183	a.A.	34-D08-4S0-15K-083	a.A.	34-D08-4S0-15K-383	a.A.

a. A. = auf Anfrage / upon request



Preise gültig ab 01.01.2023 exkl. MwSt., freibleibend, Auftragsrabatt auf Anfrage /
prices are valid from 01.01.2023 excl. VAT, subject to change, discounts upon request
sonst. Konditionen siehe www.gogatec.com/AGB.pdf, techn. Änderungen vorbehalten /
terms & conditions can be found on our website: www.gogatec.com/AGB.pdf; error, technical modifications and variations are reserved

GOGAPLUG M8 mit integriertem Kabel & LED / M8 with integrated cable & LED

Material Gehäuse / material enclosure: PBT

Einsatz / insert: PA 6 V2 GW 750

Dichtung / sealing: Standard NBR (auch in Viton lieferbar) / standard NBR (also available in VITON)

Kontakte / contacts: CuZn 35 Pb2, C43500 (Messing), goldbeschichtet / CuZn35 Pb2, C43500 (brass), gold-plated

Schraubverschluss / screw: Selbstsichernde Hutmutter aus Messing vernickelt / plated self-locking nut made of brass

Schutzart / protection grade: IP67

Steckzyklen / switching cycles: max. 1.000

Kontaktwiderstand / contact resistance: max. 5 mΩ

Isolationswiderstand / isolation resistance: $\geq 10^9 \Omega$

Nennstrom / nominal current: 2 A pro Ausgang / 8 A max / 2 A each output, max. 8 A

Nennspannung / nominal voltage: 10 - 30V DC

Temperaturbereich / temperature range: -20°C - +80°C

Typ PVC / type PVC

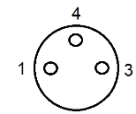
Material / material: Mantel PVC, Adern PVC / coat PVC, wires PVC

Temperaturbereich / temperature range: statisch / static -25°C - +70°C, bewegt / moving -5°C - +70°C

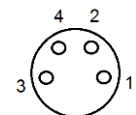
Typ PUR/PVC / type PUR/PVC

Material / material: Mantel PUR, Adern PVC / coat PUR, wires PVC

Temperaturbereich / temperature range: statisch / static -25°C - +80°C, bewegt / moving -5°C - +80°C

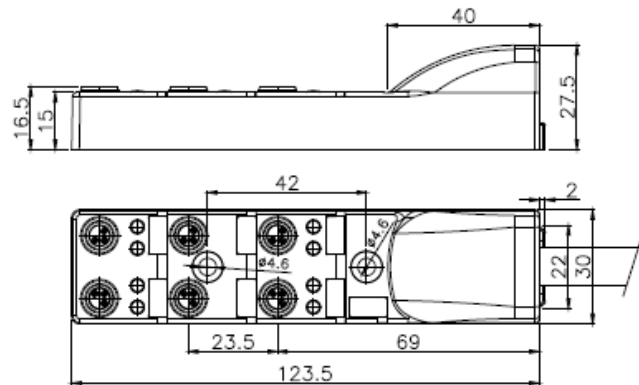
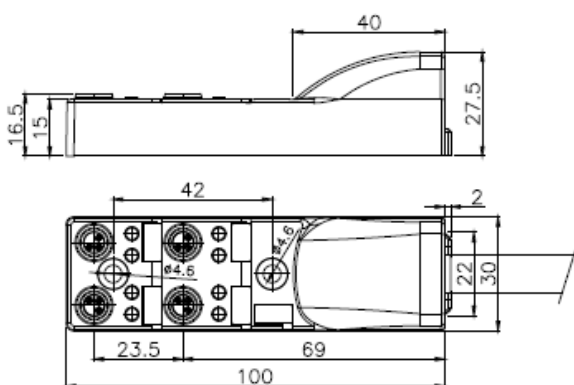
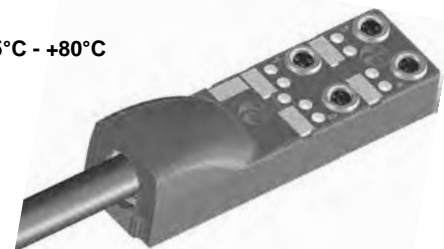


3 POLIG / 3-pole



4 POLIG / 4-pole

Auf Anfrage auch mit
UL-Zulassung erhältlich /
on request also with UL-certificate
available



Anschlüsse	Pole	Länge	ArtNR	€	ArtNr	€	ArtNr	€
connections	pole	m	PVC/PUR-Leitung	/Stk.	PVC-Leitung	/Stk.	PUR UL-Leitung	/Stk.
		length	PVC/PUR-wires	/pc.	PVC-wire	/pc.	PUR UL-wire	/pc.
4	3	5	34-D08-3P4-500-180	a.A.	34-D08-3P4-500-080	a.A.	D08-3P4-500-380	a.A.
		10	34-D08-3P4-10K-180	a.A.	34-D08-3P4-10K-080	a.A.	D08-3P4-10K-380	a.A.
		15	34-D08-3P4-15K-180	a.A.	34-D08-3P4-15K-080	a.A.	D08-3P4-15K-380	a.A.
	4	5	34-D08-4P4-500-182	a.A.	34-D08-4P4-500-082	a.A.	D08-4P4-500-382	a.A.
		10	34-D08-4P4-10K-182	a.A.	34-D08-4P4-10K-082	a.A.	D08-4P4-10K-382	a.A.
		15	34-D08-4P4-15K-182	a.A.	34-D08-4P4-15K-082	a.A.	D08-4P4-15K-382	a.A.
6	3	5	34-D08-3P6-500-182	a.A.	34-D08-3P6-500-082	a.A.	D08-3P6-500-382	a.A.
		10	34-D08-3P6-10K-182	a.A.	34-D08-3P6-10K-082	a.A.	D08-3P6-10K-382	a.A.
		15	34-D08-3P6-15K-182	a.A.	34-D08-3P6-15K-082	a.A.	D08-3P6-15K-382	a.A.
	4	5	34-D08-4P6-500-184	a.A.	34-D08-4P6-500-084	a.A.	D08-4P6-500-384	a.A.
		10	34-D08-4P6-10K-184	a.A.	34-D08-4P6-10K-084	a.A.	D08-4P6-10K-384	a.A.
		15	34-D08-4P6-15K-184	a.A.	34-D08-4P6-15K-084	a.A.	D08-4P6-15K-384	a.A.

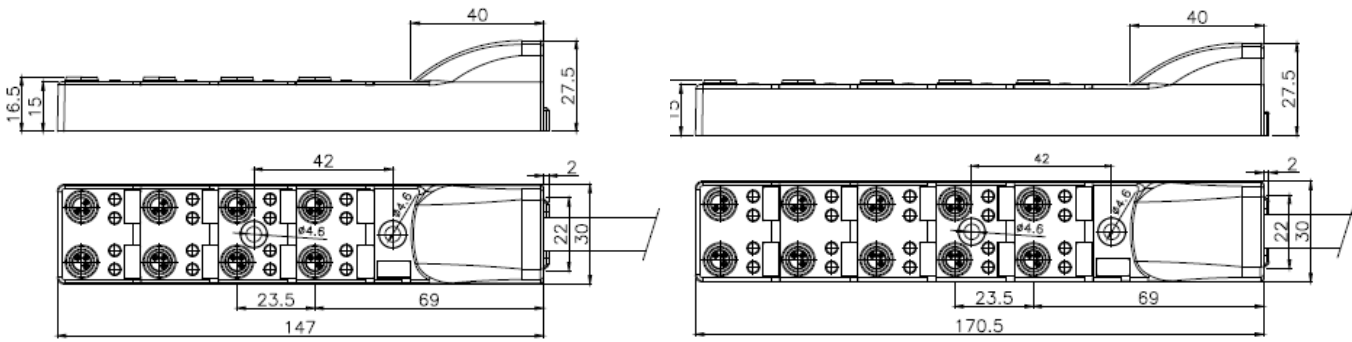
a. A. = auf Anfrage / upon request

Preise gültig ab 01.01.2023 exkl. MwSt., freibleibend, Auftragsrabatt auf Anfrage /

prices are valid from 01.01.2023 excl. VAT, subject to change, discounts upon request

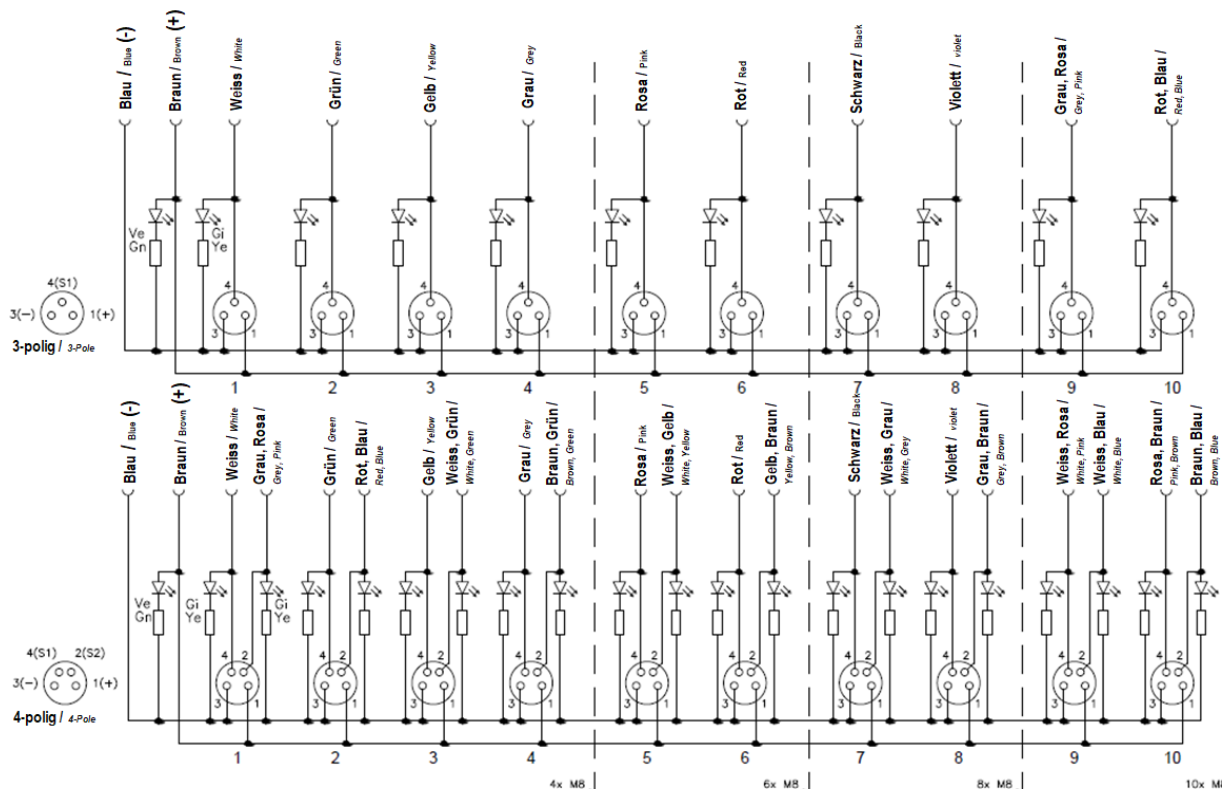
sonst. Konditionen siehe www.gogatec.com/AGB.pdf, techn. Änderungen vorbehalten /

terms & conditions can be found on our website: www.gogatec.com/AGB.pdf; error, technical modifications and variations are reserved



Anschlüsse connections	Pole pole	Länge length	ArtNR PVC/PUR-Leitung PVC/PUR-wires	€ /Stk. /pc.	ArtNr PVC-Leitung PVC-wire	€ /Stk. /pc.	ArtNr PUR UL-Leitung PUR UL-wire	€ /Stk. /pc.
8	3	5	34-D08-3P8-500-182	a.A.	34-D08-3P8-500-082	a.A.	D08-3P8-500-382	a.A.
		10	34-D08-3P8-10K-182	140,10	34-D08-3P8-10K-082	a.A.	D08-3P8-10K-382	a.A.
		15	34-D08-3P8-15K-182	a.A.	34-D08-3P8-15K-082	a.A.	D08-3P8-15K-382	a.A.
	4	5	34-D08-4P8-500-184	a.A.	34-D08-4P8-500-084	a.A.	D08-4P8-500-384	a.A.
		10	34-D08-4P8-10K-184	a.A.	34-D08-4P8-10K-084	a.A.	D08-4P8-10K-384	a.A.
		15	34-D08-4P8-15K-184	a.A.	34-D08-4P8-15K-084	a.A.	D08-4P8-15K-384	a.A.
10	3	5	34-D08-3P0-500-182	a.A.	34-D08-3P0-500-082	a.A.	D08-3P0-500-382	a.A.
		10	34-D08-3P0-10K-182	a.A.	34-D08-3P0-10K-082	a.A.	D08-3P0-10K-382	a.A.
		15	34-D08-3P0-15K-182	a.A.	34-D08-3P0-15K-082	a.A.	D08-3P0-15K-382	a.A.
	4	5	34-D08-4P0-500-184	a.A.	34-D08-4P0-500-084	a.A.	D08-4P0-500-384	a.A.
		10	34-D08-4P0-10K-184	a.A.	34-D08-4P0-10K-084	a.A.	D08-4P0-10K-384	a.A.
		15	34-D08-4P0-15K-184	a.A.	34-D08-4P0-15K-084	a.A.	D08-4P0-15K-384	a.A.

a. A. = auf Anfrage / upon request



Preise gültig ab 01.01.2023 exkl. MwSt., freibleibend, Auftragsrabatt auf Anfrage /

prices are valid from 01.01.2023 excl. VAT, subject to change, discounts upon request

sonst. Konditionen siehe www.gogatec.com/AGB.pdf, techn. Änderungen vorbehalten /

terms & conditions can be found on our website: www.gogatec.com/AGB.pdf; error, technical modifications and variations are reserved