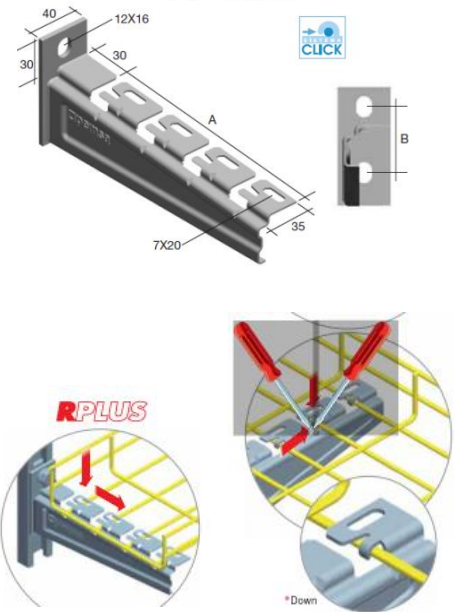


GOGATRAY Wandmontage / wall mounting

Material / material: S.S. 304 (AISI 304), S.S. 316 (AISI 316)

| Typ type | Material material | AxB mm | Gewicht kg/E weight | VPE m PU | ArtNr | €/m /m |
|---------------------------------------------------|----------------------|-------------|---------------------------|----------------|-------------|-----------|
| Verstärkte Konsole R-Plus / reinforced bracket | S.S.304 | 100x50 | 0,19 | 4 | 06-62055103 | 13,96 |
| | | 150x50 | 0,24 | | 06-62055153 | 15,38 |
| | | 200x50 | 0,28 | | 06-62055203 | 17,21 |
| | | 300x50 | 0,37 | | 06-62055303 | 20,90 |
| | | 400x77 | 0,70 | | 06-62055403 | 35,02 |
| | | 500x77 | 0,84 | | 06-62055503 | 39,49 |
| | S.S.316 | 600x77 | 0,98 | 06-62055603 | 44,87 | |
| | | 100x50 | 0,19 | 06-62065103 | 16,55 | |
| | | 150x50 | 0,24 | 06-62065153 | 18,63 | |
| | | 200x50 | 0,28 | 06-62065203 | 20,73 | |
| | | 300x50 | 0,37 | 06-62065303 | 24,92 | |
| | | 400x77 | 0,70 | 06-62065403 | 39,80 | |
| 500x77 | 0,84 | 06-62065503 | 44,77 | | | |
| 600x77 | 0,98 | 06-62065603 | 52,80 | | | |

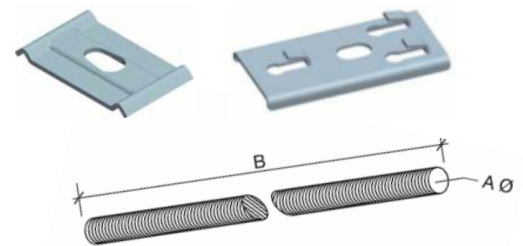


GOGATRAY Deckenmontage / ceiling suspension

Deckenbefestigung für die Montage mit Gewindestangen / ceiling suspension for mounting with threaded bar

Material / material: S.S. 316 (AISI 316)

| Typ type | Größe size | Gewicht kg/m weight | VPE Stk. PU | ArtNr | €/Stk /pc. |
|-----------------------------------------------|---------------|---------------------------|-------------------|-------------|---------------|
| Mittenabhängung / central support | M8-M10 | 0,03 | 20 | 06-67060046 | 2,31 |
| Click-Mittenabhängung / click central support | M8 | 0,03 | 20 | 06-67060043 | 4,86 |
| Gewindestange / threaded bar | M6x1000 | 0,24 | 50 | 06-67060141 | 16,88 |
| | M8x500 | 0,16 | | 06-67060044 | 15,13 |
| | M8x1000 | 0,32 | | 06-67060045 | 18,34 |
| | M10x1000 | 0,49 | | 06-67060145 | 22,37 |

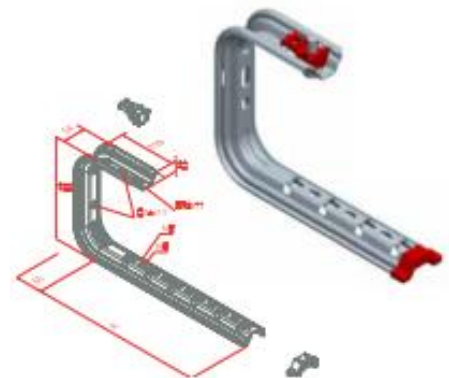


Deckenmontage / ceiling suspension

Material / material: S.S. 304 (AISI 304), S.S. 316 (AISI 316)

| Typ type | Material material | Größe size | Gewicht kg/m weight | VPE Stk. PU | ArtNr | €/Stk /pc. |
|---------------------------------------------------------------|----------------------|---------------|---------------------------|-------------------|-------------|---------------|
| Deckenkonsolle Omega S-Plus / ceiling bracket Omega S-Plus | S.S.304 | 100 | 0,56 | 4 | 06-62052104 | 20,44 |
| | | 150 | 0,62 | | 06-62052154 | 21,91 |
| | | 200 | 0,69 | | 06-62052204 | 25,89 |
| | | 300 | 0,82 | | 06-62052304 | 29,28 |
| | | 400 | 0,94 | | 06-62052404 | 30,22 |
| | S.S.316 | 100 | 0,56 | 06-62062104 | 23,08 | |
| | | 150 | 0,62 | 06-62062154 | 26,82 | |
| | | 200 | 0,69 | 06-62062204 | 34,66 | |
| | | 300 | 0,82 | 06-62062304 | 33,65 | |
| | | 400 | 0,94 | 06-62062404 | 39,30 | |

Einschl. Sicherheitsanschlag / safety stop included



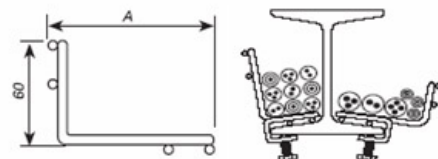
GOGATRAY Gitterwinkel / grid angles

Für direkte Montage an I-Trägern / for direct mount on I-beams

Material / material: S.S. 304 (AISI 304), S.S. 316 (AISI 316)

| Material material | A mm | Gewicht kg/m weight | VPE Stk. PU | ArtNr | €/Stk /pc. |
|----------------------|---------|---------------------------|-------------------|-------------|---------------|
| S.S.304 | 109 | 0,8 | 18 | 06-60520000 | a.A. |
| S.S.316 | 109 | 0,8 | 18 | 06-60620000 | a.A. |

a.A. = auf Anfrage / upon request



Preise gültig ab 01.01.2018 exkl. MwSt., freibleibend, Auftragsrabatt auf Anfrage /

prices are valid from 01.01.2018 excl. VAT, subject to change, discounts upon request

sonst. Konditionen siehe www.gogatec.com/AGB.pdf, techn. Änderungen vorbehalten /

terms & conditions can be found on our website: www.gogatec.com/AGB.pdf; error, technical modifications and variations are reserved