

GOGAPIN ALCU-RK2 ALCu Kabelschuhe / alcu cable lugs

Material / material: E-CU, Al-99,6%

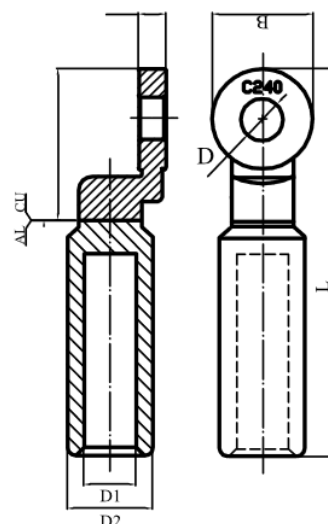
Normen / standards: Rohrabmessungen nach / tube dimensions acc. to DIN 46329

Für Aluminiumseile nach DIN 48201 / for aluminium conductors acc. to DIN 48201

Längsdicht mit massiver Kupferflasche / with barrier and solid CU palm

Übergang von Aluminiumleiter auf Kupferklemme / transition from aluminium conductor to copper clamp

Passende Werkzeuge siehe GOGATOOL Katalog / for appropriate tools please see GOGATOOL catalog



rm/sm	se	Loch für	Abmessungen mm				Gewicht/Stk..	VPE	Typ	ArtNr	€
mm ²	mm ²	hole size	D1	D	B	L	kg	Stk.	type		/100 Stk.
			dimensions mm				weight /pc.	PU			/100 pcs.
16	25	M8	5,6	8,4	20,0	79,0	0,046	70	ALCU-RK2-16-M8	127096016008	383,00
16	25	M10	5,6	10,5	20,0	79,0	0,046	70	ALCU-RK2-16-M10	127096016010	383,00
16	25	M12	5,6	12,8	20,0	79,0	0,046	70	ALCU-RK2-16-M12	127096016012	383,00
25	35	M8	6,4	8,4	20,0	79,0	0,045	70	ALCU-RK2-25-M8	127096025008	383,00
25	35	M10	6,4	10,5	20,0	79,0	0,045	70	ALCU-RK2-25-M10	127096025010	383,00
25	35	M12	6,4	12,8	20,0	79,0	0,045	70	ALCU-RK2-25-M12	127096025012	383,00
35	50	M8	8,5	8,4	20,0	79,0	0,043	70	ALCU-RK2-35-M8	127096035008	420,00
35	50	M10	8,5	10,5	20,0	79,0	0,043	70	ALCU-RK2-35-M10	127096035010	420,00
35	50	M12	8,5	12,8	20,0	79,0	0,043	70	ALCU-RK2-35-M12	127096035012	420,00
50	70	M8	9,4	8,4	24,0	88,0	0,078	48	ALCU-RK2-50-M8	127096050008	499,00
50	70	M10	9,4	10,5	24,0	88,0	0,078	48	ALCU-RK2-50-M10	127096050010	499,00
50	70	M12	9,4	12,8	24,0	88,0	0,078	48	ALCU-RK2-50-M12	127096050012	499,00
70	95	M8	10,9	8,4	24,0	88,0	0,072	48	ALCU-RK2-70-M8	127096070008	535,00
70	95	M10	10,9	10,5	24,0	88,0	0,072	48	ALCU-RK2-70-M10	127096070010	535,00
70	95	M12	10,9	12,8	24,0	88,0	0,072	48	ALCU-RK2-70-M12	127096070012	535,00
95	120	M8	12,4	8,4	24,0	88,0	0,070	48	ALCU-RK2-95-M8	127096095008	535,00
95	120	M10	12,4	10,5	24,0	88,0	0,070	48	ALCU-RK2-95-M10	127096095010	535,00
95	120	M12	12,4	12,8	24,0	88,0	0,070	48	ALCU-RK2-95-M12	127096095012	535,00
120	150	M8	17,0	8,4	30,0	110,0	0,138	20	ALCU-RK2-120-M8	127096120008	690,00
120	150	M10	17,0	10,5	30,0	110,0	0,138	20	ALCU-RK2-120-M10	127096120010	690,00
120	150	M12	17,0	12,8	30,0	110,0	0,138	20	ALCU-RK2-120-M12	127096120012	690,00
150	185	M8	15,5	8,4	30,0	110,0	0,131	20	ALCU-RK2-150-M8	127096150008	690,00
150	185	M10	15,5	10,5	30,0	110,0	0,131	20	ALCU-RK2-150-M10	127096150010	690,00
150	185	M12	15,5	12,8	30,0	110,0	0,131	20	ALCU-RK2-150-M12	127096150012	690,00
185	240	M8	17,0	8,4	35,0	117,0	0,231	15	ALCU-RK2-185-M8	127096185008	1 147,00
185	240	M10	17,0	10,5	35,0	117,0	0,231	15	ALCU-RK2-185-M10	127096185010	1 147,00
185	240	M12	17,0	12,8	35,0	117,0	0,231	15	ALCU-RK2-185-M12	127096185012	1 147,00
240	300	M10	19,5	10,5	35,0	117,0	0,220	15	ALCU-RK2-240-M10	127096240010	1 147,00
240	300	M12	19,5	12,8	35,0	117,0	0,220	15	ALCU-RK2-240-M12	127096240012	1 147,00
240	300	M16	19,5	17,0	35,0	117,0	0,220	15	ALCU-RK2-240-M16	127096240016	1 147,00
300	400	M10	23,2	10,5	36,0	155,5	0,363	6	ALCU-RK2-300-M10	127096300010	1 972,00
300	400	M12	23,2	12,8	36,0	155,5	0,363	6	ALCU-RK2-300-M12	127096300012	1 972,00
300	400	M16	23,2	17,0	36,0	155,5	0,363	6	ALCU-RK2-300-M16	127096300016	1 972,00
400	500	M10	26,0	10,5	36,0	155,5	0,385	6	ALCU-RK2-400-M10	127096400010	2 253,00
400	500	M12	26,0	12,8	36,0	155,5	0,385	6	ALCU-RK2-400-M12	127096400012	2 253,00
400	500	M16	26,0	17,0	36,0	155,5	0,385	6	ALCU-RK2-400-M16	127096400016	2 253,00
500	630	M16	29,0	17,0	60,0	193,0	0,430	1	ALCU-RK2-500-M16	127096500016	7 603,00
630	800	M16	32,5	17,0	60,0	193,0	0,790	1	ALCU-RK2-630-M16	127096630016	7 885,00
800	1000	M16	37,8	17,0	80,0	260,0	-	1	ALCU-RK2-800-M16	127096800016	8 729,00
1000		M16	42,0	17,0	80,0	260,0	-	1	ALCU-RK2-1000-M16	1270961000016	9 011,00

Preise gültig ab 01.01.2019 exkl. MwSt., freibleibend, Auftragsrabatt auf Anfrage /

prices are valid from 01.01.2019 excl. VAT, subject to change, discounts upon request

sonst. Konditionen siehe www.gogatec.com/AGB.pdf, techn. Änderungen vorbehalten /

terms & conditions can be found on our website: www.gogatec.com/AGB.pdf, error, technical modifications and variations are reserved