

## Quetsch- & Lötkaabelschuhe unisoliert / uninsulated solderless cable lugs

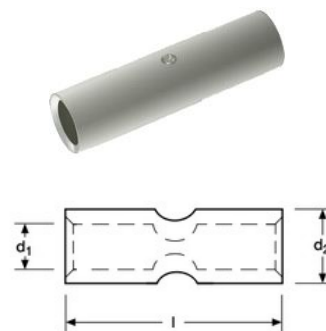
Passende Werkzeuge siehe GOGATOOL Katalog / for appropriate tools please see GOGATOOL catalog

### GOGAPIN KSE-KV Kerbverbinder unisoliert / uninsulated connectors

Material / material: E-CU Rohr gal Sn.nach DIN 40500 / E-CU tube tin-plated acc. to DIN 40500

Normen / standards: ähnlich / similar to DIN 46267

mm <sup>2</sup>	Abmessung in mm				Gewicht/100Stk.	VPE	Typ	ArtNr	€
range	d1	l	d2	s	kg	Stk.	type		/100 Stk.
	dimensions mm				weight /100 pcs.	PU			/100 pcs.
10	4,5	30,0	7,0	1,5	0,600	500	KSE-KV-10	1230850100	82,50
16	5,5	35,0	8,5	1,5	1,020	500	KSE-KV-16	1230850160	95,20
25	7,0	40,0	10,0	1,5	1,430	100	KSE-KV-25	1230850250	138,60
35	8,5	45,0	12,0	1,8	2,250	100	KSE-KV-35	1230850350	162,00
50	10,0	50,0	14,0	2,0	3,380	100	KSE-KV-50	1230850500	219,00
70	12,0	55,0	16,5	2,3	4,900	100	KSE-KV-70	1230850700	297,00
95	13,5	60,0	18,0	2,3	6,000	50	KSE-KV-95	1230850950	379,00
120	15,0	65,0	19,5	2,3	9,100	50	KSE-KV-120	1230851200	509,00
150	16,5	70,0	21,0	2,3	12,300	50	KSE-KV-150	1230851500	531,00
185	19,0	75,0	24,0	2,5	12,500	25	KSE-KV-185	1230851850	619,00
240	21,0	85,0	26,0	2,5	13,900	25	KSE-KV-240	1230852400	979,00
300	23,5	100,0	29,5	3,0	22,000	25	KSE-KV-300	1230853000	1 234,00

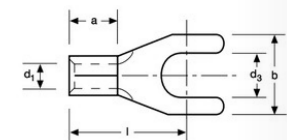


### GOGAPIN KSE-GK Quetschkabelschuh-Gabel unisoliert / uninsulated solderless cable lugs fork

Material / material: E-CU gal Sn. / E-CU tin-plated

Zulassung / approval: UL listed

Normen / standards: DIN 46234



mm <sup>2</sup>	Loch für	Abmessung in mm						Gewicht/100Stk.	VPE	Typ	ArtNr	€
range	hole size	d3	d1	b	l	a	s	kg	Stk.	type		/100 Stk.
		dimensions mm						weight /100 pcs.	PU			/100 pcs.
10	M5	5,3	4,5	10,0	16,0	8,0	1,1	0,225	500	KSE-GK-10-M5	123020010005	16,21
	M6	6,5	4,5	11,0	17,0	8,0	1,1	0,240		KSE-GK-10-M6	123020010006	24,15
16	M5	5,3	5,8	11,0	20,0	10,0	1,2	0,390	500	KSE-GK-16-M5	123020016005	23,05
	M6	6,5	5,8	11,0	20,0	10,0	1,2	0,380		KSE-GK-16-M6	123020016006	31,88
25	M5	5,3	7,5	12,0	25,0	11,0	1,5	0,750	500	KSE-GK-25-M5	123020025005	56,20
	M6	6,5	7,5	12,0	25,0	11,0	1,5	0,760		KSE-GK-25-M6	123020025006	56,20

### GOGAPIN KSE-SK Stiftkabelschuh unisoliert / uninsulated pin cable lugs

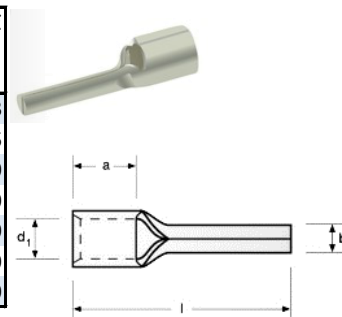
Material / material: E-CU gal Sn – Stiftform „A“ zylindrisch / E-CU tin-plated – cylindric pin form „A“

Zulassung / approval: UL listed

Normen / standards: DIN 46230 & VG 88708 - 16 mm<sup>2</sup> und ähnliche Ausführungen / and similar types



mm <sup>2</sup>	Abmessung in mm					Gewicht/100Stk.	VPE	Typ	ArtNr	€
range	b	d1	l	a	s	kg	Stk.	type		/100 Stk.
	dimensions mm					weight/100 pcs.	PU			/100 pcs.
10	4,3	4,5	22,0	8,0	1,1	0,260	500	KSE-SK-10	123030010	18,58
16	5,5	5,8	26,0	10,0	1,2	0,440	500	KSE-SK-16	123030016	26,15
25	6,8	7,0	33,5	13,5	1,2	0,630	500	KSE-SK-25	123030025	54,10
35	8,0	8,4	40,5	16,0	1,5	1,170	250	KSE-SK-35	123030035	66,80
50	9,5	9,6	45,0	19,0	1,8	1,790	150	KSE-SK-50	123030050	111,60
70	11,0	11,4	55,0	24,0	2,0	2,920	75	KSE-SK-70	123030070	161,00
95	12,5	13,5	55,0	24,0	2,5	4,300	60	KSE-SK-95	123030095	200,00



Preise gültig ab 01.01.2019 exkl. MwSt., freibleibend, Auftragsrabatt auf Anfrage /

prices are valid from 01.01.2019 excl. VAT, subject to change, discounts upon request

sonst. Konditionen siehe [www.gogatec.com/AGB.pdf](http://www.gogatec.com/AGB.pdf), techn. Änderungen vorbehalten /

terms & conditions can be found on our website: [www.gogatec.com/AGB.pdf](http://www.gogatec.com/AGB.pdf); error, technical modifications and variations are reserved