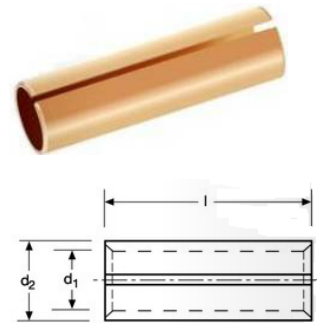


**GOGAPIN KSDIN-SVR Reduzierhülsen für Pressverbinder DIN unisoliert /
uninsulated reduction sleeves**

Material / material: E-CU Rohr nach DIN 40500 / E-CU tube acc. to DIN 40500

Passende Werkzeuge siehe GOGATOOL Katalog / for appropriate tools please see GOGATOOL catalog

von mm ² from	auf mm ² to	Abmessung mm dimensions mm			Gewicht/100Stk. weight/100 pcs.	VPE Stk. PU	Typ type	ArtNr	€/100 Stk. /100 pcs.
25	10	4,6	6,6	25,0	0,390	100	KSDIN-SVR-25-10	1260810250010	226,00
	16	5,5	6,6	25,0	0,210	100	KSDIN-SVR-25-16	1260810250016	219,00
	10	4,5	8,0	33,0	0,760	100	KSDIN-SVR-35-10	1260810350010	238,00
35	16	5,5	8,0	33,0	0,590	100	KSDIN-SVR-35-16	1260810350016	232,00
	25	7,0	8,0	33,0	0,260	100	KSDIN-SVR-35-25	1260810350025	202,00
	16	5,5	9,5	33,0	1,400	100	KSDIN-SVR-50-16	1260810500016	299,00
50	25	7,0	9,5	33,0	0,950	100	KSDIN-SVR-50-25	1260810500025	249,00
	35	8,5	9,5	33,0	0,420	100	KSDIN-SVR-50-35	1260810500035	218,00
	25	7,0	11,0	33,0	1,660	50	KSDIN-SVR-70-25	1260810700025	308,00
70	35	8,5	11,0	33,0	1,130	50	KSDIN-SVR-70-35	1260810700035	279,00
	50	10,0	11,0	33,0	0,480	50	KSDIN-SVR-70-50	1260810700050	245,00
	35	8,5	13,0	45,0	3,400	50	KSDIN-SVR-95-35	1260810950035	420,00
95	50	10,0	13,0	45,0	2,170	50	KSDIN-SVR-95-50	1260810950050	328,00
	70	11,5	13,0	45,0	1,160	50	KSDIN-SVR-95-70	1260810950070	314,00
	50	10,0	15,0	45,0	3,940	50	KSDIN-SVR-120-50	1260811200050	442,00
120	70	11,5	15,0	45,0	2,920	50	KSDIN-SVR-120-70	1260811200070	389,00
	95	13,5	15,0	45,0	1,350	50	KSDIN-SVR-120-95	1260811200095	328,00
	70	11,5	16,5	53,0	5,200	25	KSDIN-SVR-150-70	1260811500070	589,00
150	95	13,5	16,5	53,0	3,340	25	KSDIN-SVR-150-95	1260811500095	362,00
	120	15,5	16,5	53,0	1,190	25	KSDIN-SVR-150-120	1260811500120	404,00
	95	13,5	18,5	53,0	5,940	25	KSDIN-SVR-185-95	1260811850095	495,00
185	120	15,5	18,5	53,0	3,780	25	KSDIN-SVR-185-120	1260811850120	450,00
	150	17,0	18,5	53,0	1,980	25	KSDIN-SVR-185-150	1260811850150	354,00
	120	15,5	21,0	55,0	7,720	25	KSDIN-SVR-240-120	1260812400120	a.A.
240	150	17,0	21,0	55,0	5,840	25	KSDIN-SVR-240-150	1260812400150	592,00
	185	19,0	21,0	55,0	3,080	25	KSDIN-SVR-240-185	1260812400185	459,00
	150	17,0	24,0	58,0	11,700	10	KSDIN-SVR-300-150	1260813000150	a.A.
300	185	19,0	24,0	58,0	8,700	10	KSDIN-SVR-300-185	1260813000185	a.A.
	240	21,5	24,0	58,0	4,600	10	KSDIN-SVR-300-240	1260813000240	523,00
	185	19,0	27,0	80,0	20,100	10	KSDIN-SVR-400-185	1260814000185	a.A.
400	240	21,5	27,0	80,0	15,000	10	KSDIN-SVR-400-240	1260814000240	a.A.
	300	24,5	27,0	80,0	7,200	10	KSDIN-SVR-400-300	1260814000300	a.A.

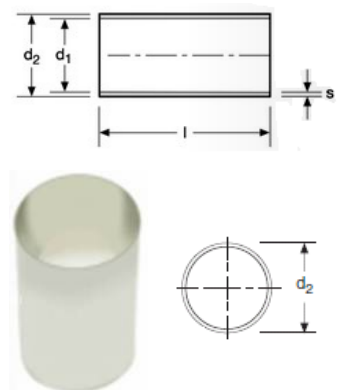


a.A. auf Anfrage / upon request

**GOGAPIN KSDIN-RH für verdichtete Leiter unisoliert /
uninsulated sleeves for compacted conductors**

Material / material: E-CU nach EN 13600 / E-CU acc. to EN 13600

mm ² range	Abmessung mm dimensions mm				Gewicht/100Stk. weight/100 pcs.	VPE Stk. PU	Typ type	ArtNr	€/100 Stk. /100 pcs.
16	5,0	5,3	16,0	0,15	3,500	100	KSDIN-RH-016	12608201600	43,86
25	6,4	6,7	16,0	0,15	4,300	100	KSDIN-RH-025	12608202500	45,38
35	7,7	8,2	17,0	0,25	9,400	100	KSDIN-RH-035	12608203500	51,60
50	9,0	9,5	23,0	0,25	15,100	50	KSDIN-RH-050	12608205000	57,30
70	10,6	11,2	24,0	0,30	21,900	50	KSDIN-RH-070	12608207000	81,30
95	12,4	13,0	28,0	0,30	29,800	50	KSDIN-RH-095	12608209500	82,00
120	13,9	14,5	30,0	0,30	35,700	50	KSDIN-RH-120	12608212000	85,00
150	15,4	16,0	30,0	0,30	39,500	25	KSDIN-RH-150	12608215000	92,30
185	17,6	18,2	38,0	0,30	57,900	25	KSDIN-RH-185	12608218500	114,70
240	19,9	20,5	38,0	0,30	64,500	25	KSDIN-RH-240	12608224000	135,10
300	22,4	23,0	48,0	0,30	91,300	5	KSDIN-RH-300	12608230000	189,00
400	25,4	26,2	58,0	0,40	169,200	5	KSDIN-RH-400	12608240000	277,00



Preise gültig ab 01.01.2017 exkl. MwSt., freibleibend, Auftragsrabatt auf Anfrage /
prices are valid from 01.01.2017 excl. VAT, subject to change, discounts upon request

sonst. Konditionen siehe www.gogatec.com/AGB.pdf, techn. Änderungen vorbehalten /
terms & conditions can be found on our website: www.gogatec.com/AGB.pdf, error, technical modifications and variations are reserved