

CR...DF self-centring floating frame

CAUTION: As the frames are floating, the **PE earthing connection of the metal surfaces on which they are mounted** (mounting bases) **must be performed separately** and cannot be done by connecting the PE earthing contact to the corresponding connector inserts.

NOTE: The supply includes 1 frame and 4 shoulder screws with cylindrical head and notch to fix the frame in place.

For use with MIXO inserts CX 04 X, please contact ILME S.p.A.

self-centring floating frame



description

part No.

in stainless steel, to be mounted on:
 inserts size "44.27" * and MIXO frames for 2 modular units
 inserts size "57.27" * and MIXO frames for 3 modular units
 inserts size "77.27" * and MIXO frames for 4 modular units
 inserts size "104.27" * and MIXO frames for 6 modular units

CR 06 DF
CR 10 DF
CR 16 DF
CR 24 DF

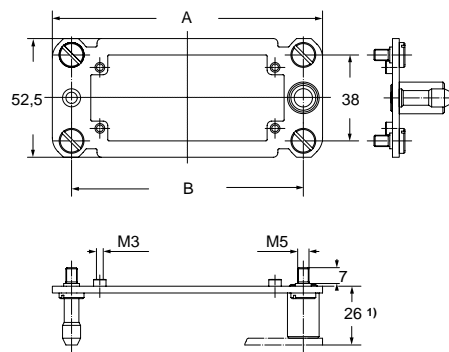
* Except CT, CTS and CTSE

Technical specifications

- materials
 - floating frame, inserts: stainless steel
 - fixing screws: zinc-plated steel
- mechanical endurance: ≥ 500 cycles
- compensation range:
 - x axis: $\pm 1,5$ mm
 - y axis: $\pm 1,5$ mm

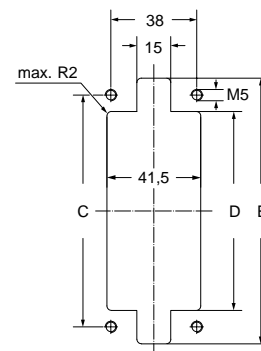
Characteristics

- Suitable, depending on size, for all standard and MIXO connector inserts and frames, except series CT, CTS and CTSE.
- Designed to be used in the transportation, printing and power electronic industries (for example boxes for rack cabinets) and in all industrial applications that require, during assembly or maintenance, the connection of connectors without possibility of controlling the alignment.
- Enables the **self-centring coupling of two corresponding** connectors without the use of enclosures; they freely move on their base plate ($\pm 1,5$ mm on both axes) ensuring the **alignment of the coupling**.

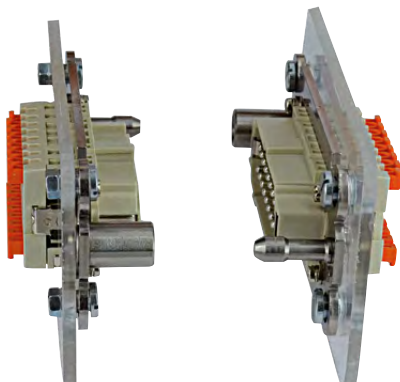


1) distance for electric and fibre optic contacts: max 27 mm
 distance for pneumatic contacts: max 26,5 mm

panel cut-out



part No.	A	B	C	D	E
CR 06 DF	86	69	69	54,5	84
CR 10 DF	99	82	82	67,5	97
CR 16 DF	119,5	102,5	102,5	88	117,5
CR 24 DF	146	129	129	114,5	144



BIG HOODS WITH INTEGRATED SPECIAL SELF-CENTRING FLOATING FRAME



Size “104.27” BIG hoods
available in 2x M40 top cable entries
and 1x M40 top cable entry
with integrated special self-centring
floating frame



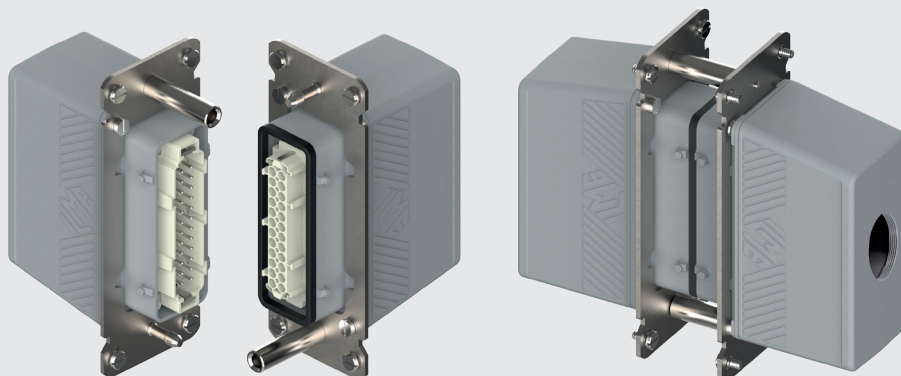
Find more
information on
our products at
www.ilme.com

TECHNICAL FEATURES

MBV 24.240D, MBV 24.240DG, MBV 24.40D, MBV 24.40DG

- These **special variants of the series BIG connector enclosures** (a series which is **proprietary ILME design**), available in the largest size “104.27”, consist of two hoods, one with edge gasket, the other without, both equipped with dedicated variant of robust stainless steel special self-centring floating frame.
- They are designed to allow electrical (power and signal) connection between two pieces of equipment (both fixed, one foreseen for frequent swap), guided by a dedicated special self-centring floating frame allowing **up to $\pm 1,5$ mm off axis in both directions on a plane**, to create an internal protected space for the wiring on both sides of the connection. This is particularly handy e.g. for the rapid change of the moulds on a moulding press machine.
- Thanks to the integrated “*key and keyway*” system (two sets of facing robust pin and contact tubes, one on each short side, mounted on custom-tailored robust stainless steel plates integrated in the mating face of the size “104.27” mating hoods) the connector inserts housed inside the hoods avoid mechanical damages during mating and take advantage of the protective large wiring space of the BIG enclosures.
- Thanks to the sealing gasket on the coupling, provided sufficient tight closure is ensured by the assembly on the machine (not possible to integrate any locking), the IP degree of protection up to IP66/IP67/IP69 may be achieved.
- Generously dimensioned stainless steel parts provide suitable mechanical robustness and resistance to corrosion.
- Available parts:
 - **MBV 24.240D** size “104.27” hood series BIG with **2x M40** top cable entries and integrated special self-centring floating frame, to be exclusively mated with:
 - **MBV 24.240DG** size “104.27” hood with gasket, series BIG, with **2x M40** top cable entries and integrated special self-centring floating frame;
 - **MBV 24.40D** size “104.27” hood series BIG with **1x M40** top cable entry and integrated special self-centring floating frame, to be exclusively mated with:
 - **MBV 24.40DG** size “104.27” hood with gasket, series BIG, with **1x M40** top cable entry and integrated special self-centring floating frame.
- These BIG special hoods are deemed to be used only in combination among themselves: one part without gasket, the mating part with gasket.
- Up to 10 000 matings are achievable once used with HNM inserts with HNM series R crimp contacts as applicable and MIXO HNM frames as applicable, up to 500 matings guaranteed using standard components within these special BIG enclosures.
- Tolerance for off-axis displacement (allowed by the integral self-centring floating frame): $x \pm 1,5$ mm, $y \pm 1,5$ mm.

BIG special hoods with integrated special self-centring floating frame allow guided, frequent swaps avoiding damages and ingress of contaminants

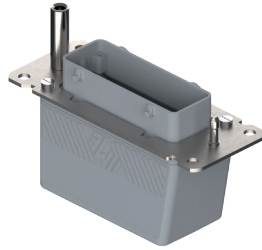


MBV BIG hoods with integrated special self-centring floating frame

inserts		page:
CD	64 poles + ⊕	72
CDD	108 poles + ⊕	81
CDS	42 poles + ⊕	-
CDSH	42 poles + ⊕	89
CNE	24 poles + ⊕	113
CSE	24 poles + ⊕	-
CSH	24 poles + ⊕	113
CSH S	24 poles + ⊕	125
CCE	24 poles + ⊕	133
CMSH	10+2 (aux) poles + ⊕	140
CMCE	10+2 (aux) poles + ⊕	141
CSS	24 poles + ⊕	151
CT, CTSE (16A)	24 poles + ⊕	163
CQE	46 poles + ⊕	171
CQEE	64 poles + ⊕	177
CX	4/8 and 6/6 poles + ⊕	204, 206
MIXO	6 modules	262 - 317

refer to CN.19 pages

hoods with integrated special self-centring floating frame



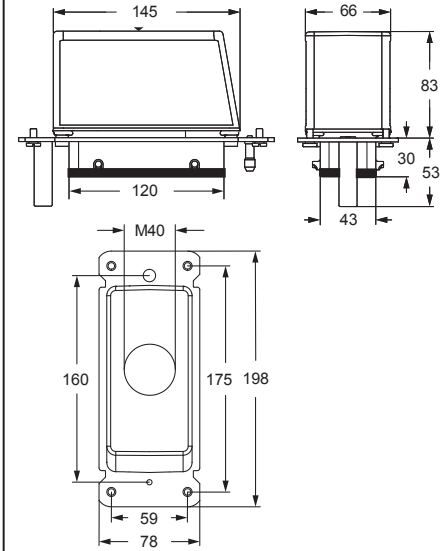
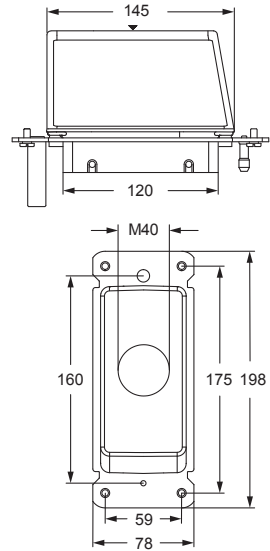
FROM MAY 2020

hoods with integrated special self-centring floating frame and gasket

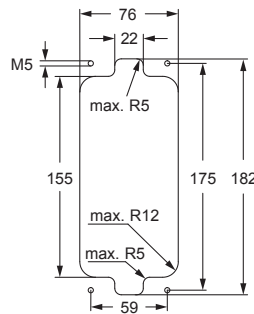


FROM MAY 2020

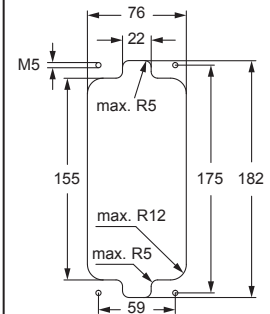
description	part No.	entry	part No.	entry
1x M40 top entry	MBV 24.40D	40 x 1		
1x M40 top entry, with gasket			MBV 24.40DG	40 x 1



panel cut-out for enclosures



panel cut-out for enclosures



! CAUTION: Due to the absence of locking means, the IP66/IP67/IP69 achievable degree of protection is demanded to the end-use application:

- 1) Suitable pressure, in order to uniformly compress the sealing gasket and keep the connector coupling tight is required: this condition is satisfied when the self-centring guide pins and contact tubes reach their end-of-run and are kept constantly in this position;
- 2) Suitably rated cable entry devices (e.g. cable glands) are required to maintain the desired IP degree of protection.

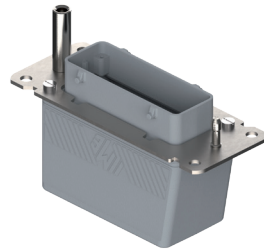
Protection against undue opening under load (connectors without breaking capacity) and closing under voltage is demanded to the end-use application, e.g. by suitable detection of such conditions.

MBV BIG hoods with integrated special self-centring floating frame

inserts		page:
CD	64 poles + ⊕	72
CDD	108 poles + ⊕	81
CDS	42 poles + ⊕	-
CDSH	42 poles + ⊕	89
CNE	24 poles + ⊕	113
CSE	24 poles + ⊕	-
CSH	24 poles + ⊕	113
CSH S	24 poles + ⊕	125
CCE	24 poles + ⊕	133
CMSH	10+2 (aux) poles + ⊕	140
CMCE	10+2 (aux) poles + ⊕	141
CSS	24 poles + ⊕	151
CT, CTSE (16A)	24 poles + ⊕	163
CQE	46 poles + ⊕	171
CQEE	64 poles + ⊕	177
CX	4/8 and 6/6 poles + ⊕	204, 206
MIXO	6 modules	262 - 317

refer to CN.19 pages

hoods with integrated special self-centring floating frame



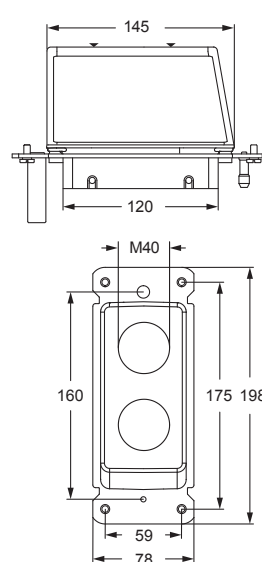
FROM MAY 2020

hoods with integrated special self-centring floating frame and gasket

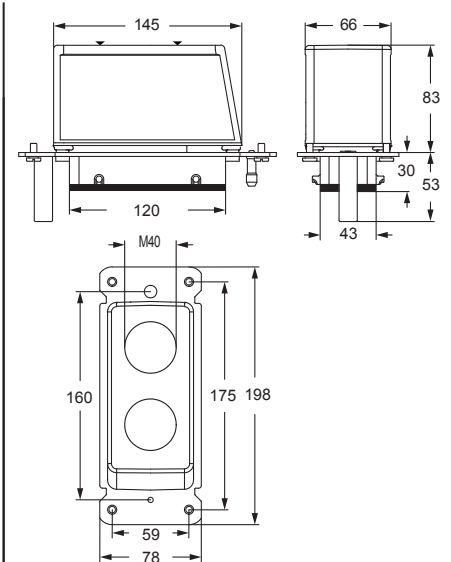
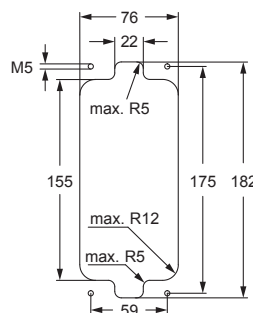


FROM MAY 2020

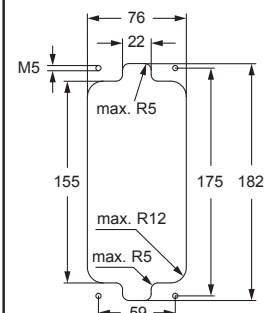
description	part No.	entry M	part No.	entry M
2x M40 top entries	MBV 24.240D	40 x 2	MBV 24.240DG	40 x 2
2x M40 top entries, with gasket				



panel cut-out for enclosures



panel cut-out for enclosures



! CAUTION: Due to the absence of locking means, the IP66/IP67/IP69 achievable degree of protection is demanded to the end-use application:

- 1) Suitable pressure, in order to uniformly compress the sealing gasket and keep the connector coupling tight is required: this condition is satisfied when the self-centring guide pins and contact tubes reach their end-of-run and are kept constantly in this position;
- 2) Suitably rated cable entry devices (e.g. cable glands) are required to maintain the desired IP degree of protection.

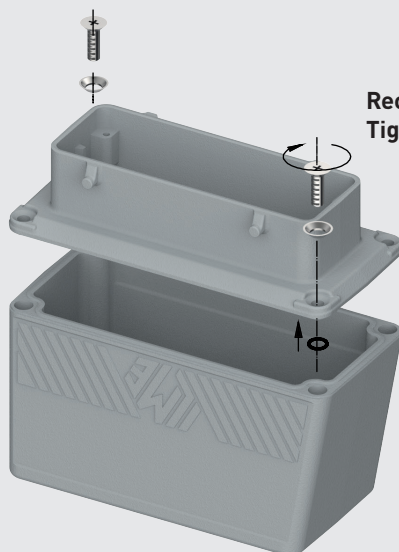
Protection against undue opening under load (connectors without breaking capacity) and closing under voltage is demanded to the end-use application, e.g. by suitable detection of such conditions.

MBV BIG hoods with integrated special self-centring floating frame

ASSEMBLY INSTRUCTIONS

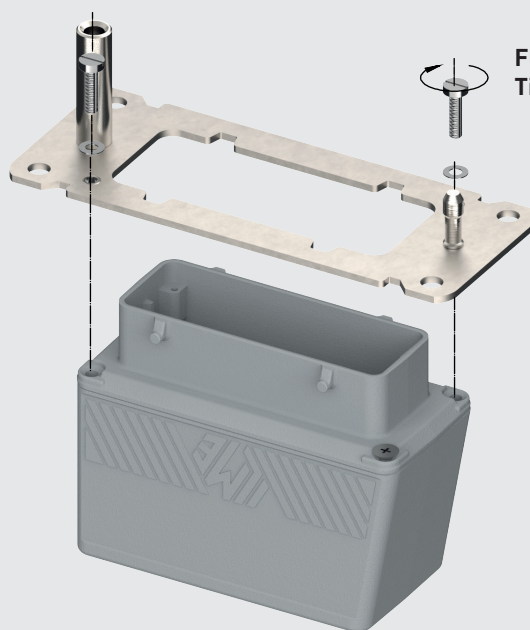
BIG HOODS WITH INTEGRATED SPECIAL SELF-CENTRING FLOATING FRAME

1 HOOD CLOSING



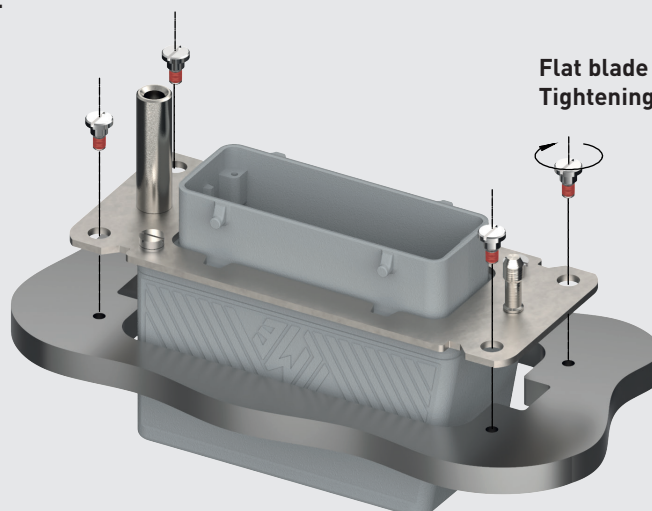
Reccomended size of screwdriver: Ph2
Tightening torque: 1,6 Nm

2 SPECIAL SELF-CENTRING FLOATING FRAME ASSEMBLY



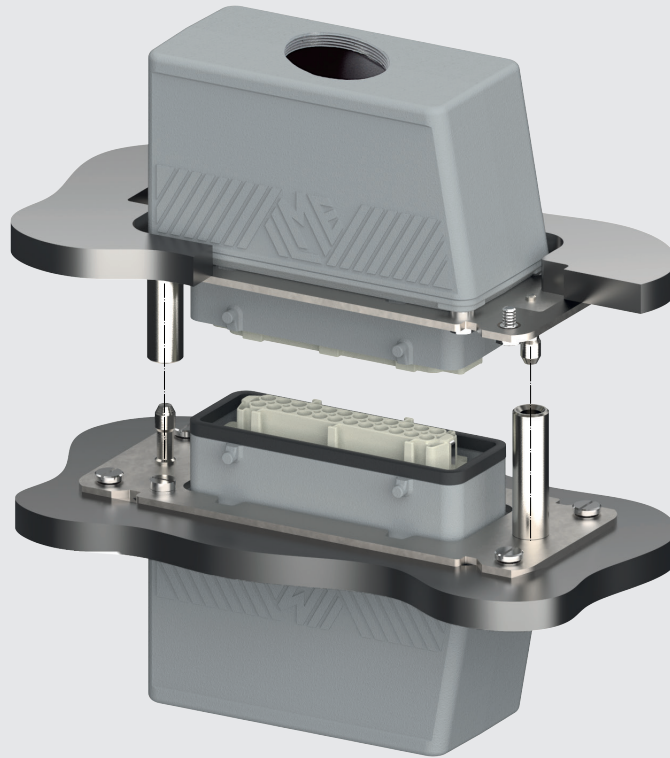
Flat screw driver 10,0 x 1,2 mm
Tightening torque: 1,8 Nm

3 INSTALLATION ON THE PANEL



Flat blade 10,0 x 1,2 mm
Tightening torque: 2,5 Nm

4 INSTALLATION ON THE PANELS



5 CLOSING DISTANCE BETWEEN PANELS TO ACHIEVE IP DEGREE OF PROTECTION

