



Multipole connectors

---

20

24

---

---

## DISCLAIMER

The information provided in this Catalogue is valid at the date of publication.  
Updated information may be available online at <https://www.ilme.com>:

- 🔍 checking the relevant section of ILME website for latest release of this Catalogue;
  - 🔍 consulting the specific online product data sheet;
  - 🔍 checking the latest Certifications available for download.
- 



## THE TRADITION OF INNOVATION SINCE 1945

ILME designs and manufactures complete solutions for industrial connections.

Headquartered in Milan and with subsidiaries in the key countries driving the progress of automation, ILME is an industry leader in the main world markets.

People are vital to success and growth at ILME, sharing a passion for innovation, utmost responsibility and participation.

The Company is committed to developing technology in the areas that most impact the future of the industries it serves: original solutions and safe wiring, research on the most suitable materials, rapid turnaround and readily available services while striving for energy saving and environmental safeguard.

## COMMITMENT TO INDUSTRY

Technological innovation is the main pillar of ILME competitiveness.

In the electrical connection sector of industrial automation, characterized by the need for top performance and reliability, ILME is an acknowledged leader with its own patents, and a global benchmark supplier of major companies worldwide.

ILME offers a fully integrated range of high-quality products and services for every type of connection to suit any application requirements.



AUTOMATION



RAILWAY



ENERGY



MARINE



FOOD  
& BEVERAGE



AGRONOMY



OUTDOOR



HEAVY VEHICLES



LIGHT  
& SOUND



PLASTICS



CHEMICAL



AIRPORTS

# IMPORTANT NOTES

- 1 ILME designs and manufactures complete solutions for Heavy Duty electrical power connections.  
The connector (although offered to the user as a variety of elements, usually inserts and enclosures, to allow the selection of the ideal combination) has been **designed as a complete connector** and tested to be compliant with the essential safety requirements of the EU Low Voltage Directive 2014/35/EU and in particular the EN 61984 standard. The design of this “whole” system guarantees that every allowed combination of inserts, enclosures and accessories cannot result as improper.

---

- 2 The products in this catalogue alone cannot guarantee the best functionality upon installation, as this depends also on their correct **“putting into service”** which must be performed in compliance with the applicable system safety standards and according to the “rule of the art”. Therefore the effectiveness of the installation of the connector depends on the choices of the end-user who must also take into account the following safety requirements.

---

- 3 Connectors must **not be connected or disconnected when live or under load**.

---

- 4 After wiring the inserts it is necessary to **verify the continuity of the protective earth connections**.

---

- 5 The **correct coupling of the inserts** is guaranteed only if they are installed (with the four fixing screws supplied \*) inside the corresponding enclosures or onto compatible accessories in this catalogue. ILME S.p.A. is not responsible for any different application.

---

- 6 Wiring of **screw-type terminal connections** must be carried out applying the correct tightening torque in order to avoid false contacts or damage to the conductor, the screw or the terminal.

---

- 7 **Crimping tools** and **crimp contacts** used should preferably be supplied by the same manufacturer to avoid difficulties with the insertion and retention or damaging of the contacts themselves.

---

- 8 Correct wiring of **spring-clamp connection inserts** is guaranteed only when the correct screwdriver indicated in the specific catalogue, or possibly on the insert, is used \*\*.

---

- 9 Avoid forcing the contacts during **connection and disconnection**. Connectors must be coupled and uncoupled in the axial direction with respect to the contacts, without bending and pulling the attached conductor bundles or cables.

---

- 10 Installation of two **inserts side by side**, in enclosures with two bays, must respect the polarity drawing marked on the insert (or the contact side view, as shown in this catalogue) to avoid inverted coupling.

---

- 11 Installation of two or more identical **connectors side by side** is recommended only with the use of **coding pins** in order to avoid mismatched couplings.

---

- 12 In order to keep the declared **degree of protection** (IP code according to EN 60529, or Enclosure Type Rating according to ANSI/UL 50E), enclosures must be completed with cable glands and/or other accessories with at least an equal degree of protection.

---

- 13 Moreover, the declared **degree of protection** (IP code according to EN 60529, or Enclosure Type Rating according to ANSI/UL 50E) is guaranteed when the enclosures, complete with inserts, are coupled and locked with their locking levers (or devices).

---

- 14 Connector inserts and their enclosures are generally compatible with similar/equivalent products from other manufacturers, according to the last samples tested. Full compatibility cannot be guaranteed in the event of technical changes made by other manufacturers. In particular, maximum performance of IP68 enclosures (CG-MG, CGK-MGK Series) cannot be guaranteed when coupled with other manufacturers' products.

---

- 15 **Spare parts** are supplied in minimum quantities only with the purpose to replace damaged parts. To avoid invalidation of warranty, products should be modified or repaired only by ILME: the integrity of their functionality - e.g. their degree of protection - can no longer be guaranteed if products are modified/repared by end-users. In any case, the liability for correct choice, assembly and use is totally at charge of the installer and the end-user.

---

- 16 ILME S.p.A. takes no responsibility in verifying whether the components herein contained comply with any specific regulations of fields of application.

---

- 17 ILME cannot be held responsible for individual components in **uses other than those described in this catalogue**.  
ILME cannot be held responsible for **incorrect connector selection** in relation to the environmental conditions of the application (e.g.: influence of ambient temperature, moisture, environmental pollution, etc.).

\* Except one fixing screw for size “21.21” inserts, two fixing screws for size “32.13” inserts.

\*\* Except for **SQUICH®** inserts (with spring-clamp terminals with actuator button) and **AXYR®** inserts (push-in spring terminals with actuator button) that do not require any tool to operate the terminal.

## CE MARKING

As from 1<sup>st</sup> January 1997, in order to make available electrical products on the European market, the manufacturer must ensure that these bear the relevant **CE marking**, in line with the Low Voltage Directive 73/23/EEC\* (implemented in Italy as L. D. 18-10-1977 no. 791) and its modification 93/68/EEC\* (implemented in Italy as L.D. 25-11-1996 no. 626/96, published in the supplement to the Gazzetta Ufficiale of 14-12-1996).

The CE marking must be visible on the product or, if this is not possible, on the packaging, the instructions for use or on the warranty certificate. It acts as a declaration by the manufacturer that the product complies with all relevant EU directives regarding its field of application.

### **ILME products bear the CE marking on the actual product or its packaging.**

Almost all ILME products fall within the scope of the Low Voltage Directive. An EU declaration of conformity is required in order to be able to apply the CE marking. This declaration, to which the market is not directly entitled, must be made available to the controlling authorities (in Italy, the Ministry of Economic Development) at all times. In it, the manufacturer declares the technical safety standard(s) followed in the design and manufacture of the product. These standards must be, in decreasing order of preference:

- a European standard (EN prefix)
- a European harmonisation document (HD prefix)
- an IEC International Standard
- a national standard
- in the absence of reference safety standards, the manufacturer's internal specifications guaranteeing compliance with the basic safety requirements of the directive.

Conformity with harmonised technical standards (i.e. ratified by CENELEC) also constitutes presumption of conformity with the basic safety requirements of the directives.

The CE marking of ILME products results from the declaration of conformity of the product to harmonised standards or IEC International Standards.

Through the CE marking, ILME declares full compliance, not merely with the directive's basic safety requirements, but also with those international or national standards on which voluntary safety certification markings are based (e.g. IMQ and VDE). In this way, ILME intends to give the CE marking the value of self-certification in terms of safety, given the loss in legal value of voluntary certifications issued by third parties, ratified by directive 93/68/EEC\*.

Notwithstanding the above, practically all ILME products still bear voluntary conformity markings.

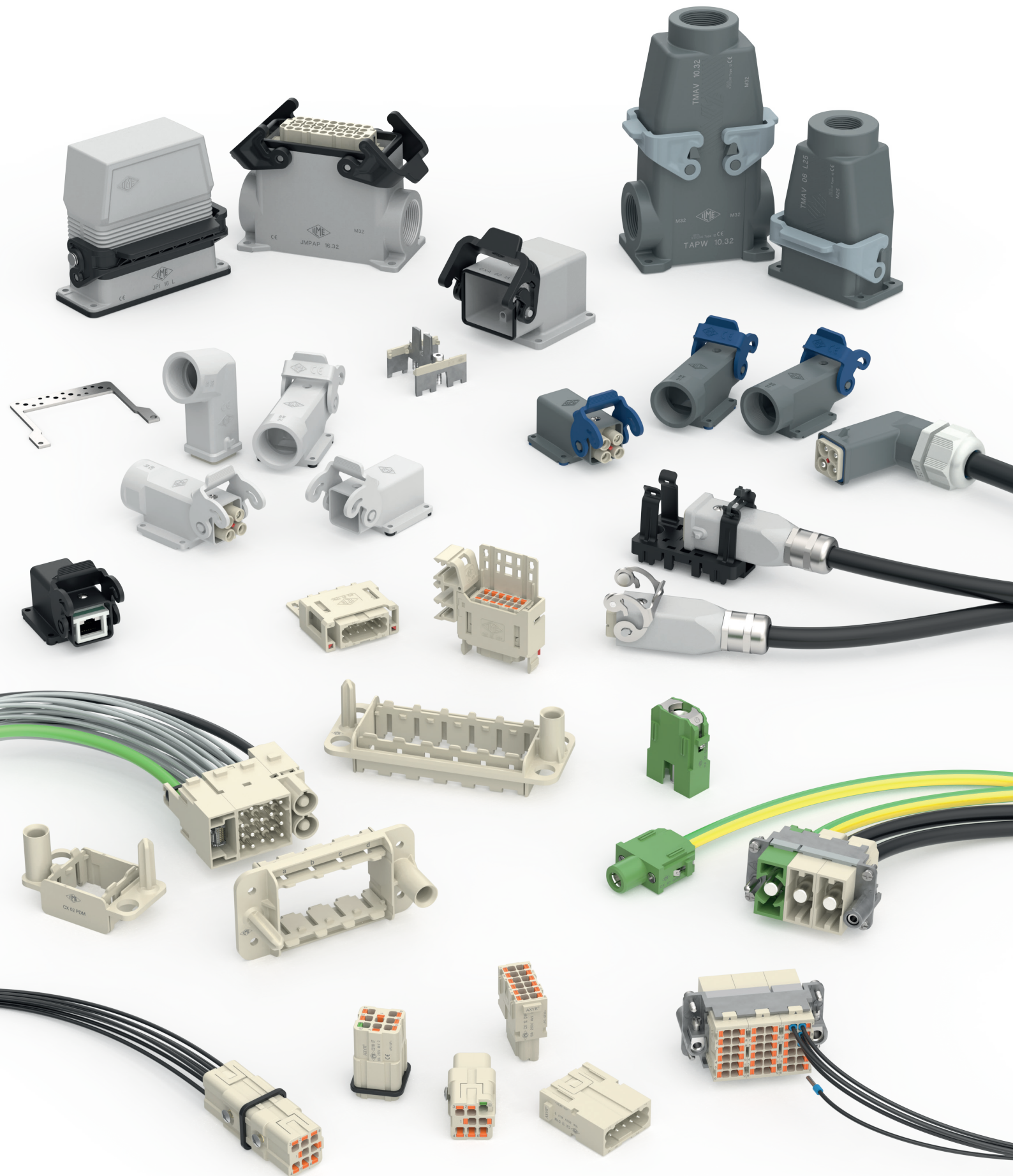
The above mentioned EU declaration of conformity becomes null and void when the assembly of products includes one or more components not manufactured by ILME and without CE marking.

**▲ The information contained in this catalogue is not binding and may be changed without notice.**

\* **Note:** The subsequent legal reference for the Low Voltage Directive was 2006/95/EC, as consolidation of the original Directive 73/23/EEC + Directive 93/68/EEC. On 29<sup>th</sup> March 2014, the Official Journal of the European Union published the new Low Voltage directive 2014/35/EU dd. 26<sup>th</sup> February 2014, a recast version of directive 2006/95/EC, which is in force since 20<sup>th</sup> April 2016.



UNI EN ISO 9001: 2015  
Design, manufacture and distribution  
of industrial electrical equipment (IAF 19)  
Certificate No. 50 100 11133



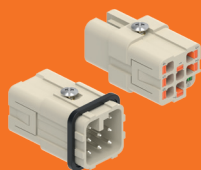
# 2024 PRODUCTS

**AXYR®** 12

ZOOM-IN AND BENEFITS 13

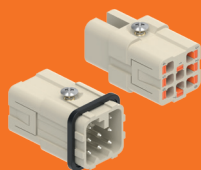
THE WIRING 14

PRODUCT RANGE 15



**AXYR®**  
size 21.21  
7-pole + Ⓟ inserts

18



**AXYR®**  
size 21.21  
8-pole inserts

19



**AXYR®**  
MIX0 12-pole modules

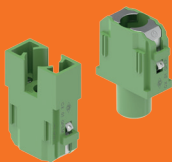
21

## MIXO modular Series 22

GENERAL OVERVIEW 22

THE COMPLETE RANGE 24

TECHNICAL CHARACTERISTICS 26



Single-sized MIXO PE modules 28



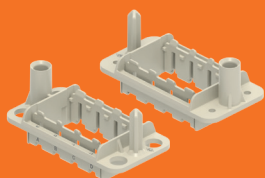
MIXO TWO angled and compact  
2-module housings 32



Insulating holders for 1-slot sized  
MIXO modules, with optional  
adapter for DIN EN 60715 rails 38

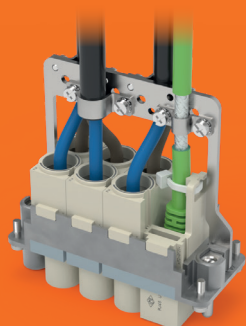


## MIXO modular Series



**MIXO thermoplastic docking frames**

**42**

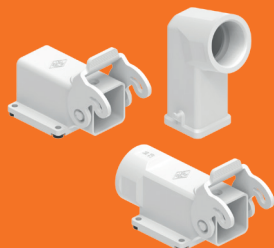


**CR..STA shield earthing anchorage, high construction**

**50**

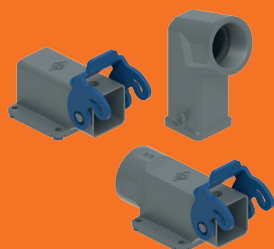
## Enclosures size 21.21

54



Size 21.21 angled entry insulating housings and hoods

54



Size 21.21 angled entry insulating housings and hoods  
CKH - MKH Hygienic enclosures

60



Size 21.21 RJ45 angled coupler  
in insulating mounting housings

64



Fixing frame for size 21.21  
complete free connector coupling

68

# Enclosures

72



New locking lever(s) design  
for Series T-TYPE and  
T-TYPE /W housings

72



New locking lever(s) design  
for Series JEI®-P enclosures

82

# Part numbers index

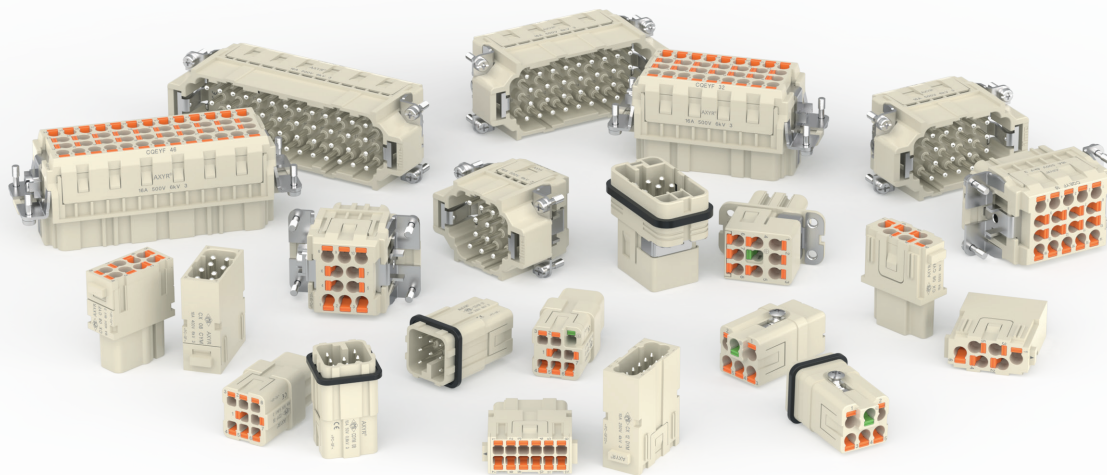
100

# AXYR®

## HIGH-DENSITY, FAST & TOOL-LESS CONNECTIONS

The research of new termination technologies aims to develop a reliable and qualitatively stable connection between conductor and contact, meeting any possible application requirement in terms of current carrying-capacity and available number of poles, as much as possible independently from the skill of the operator.

Crimped connection, with its typical irreversible process, achieves the best performance and the highest possible connection density, but requires specific wiring procedures and special tools, while being also non-rewirable.



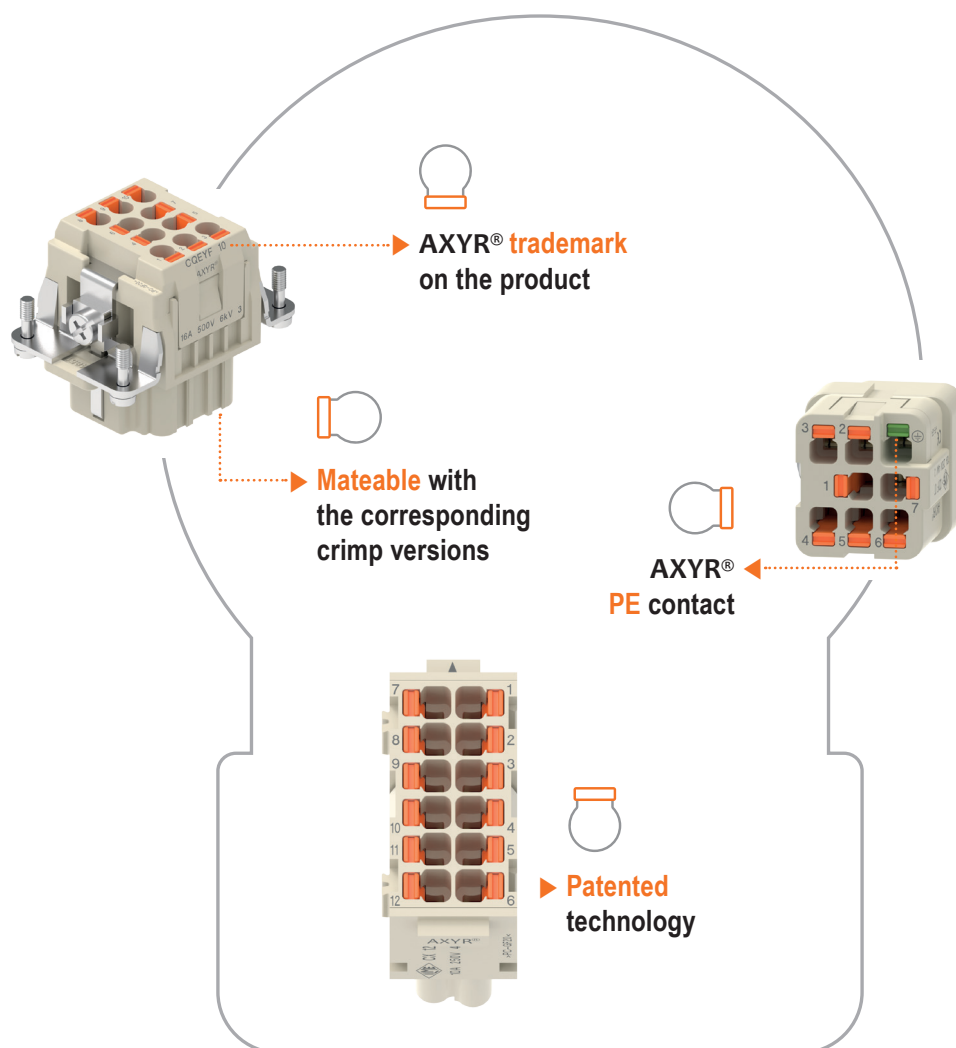
- Q **ILME AXYR® technology** offers an extremely compact **spring push-in** termination, which equals the crimp connectors in **high density**, but requires **no special crimping tool**, yet granting an optimal electrical performance. **An easy, tool-less and operator-skill-independent connection**, resistant to mechanical stress and vibrations, suitable for any installation requirement.
- Q **AXYR®** features a harmonic steel spring and a tiny, yet stiff, properly designed actuator button working together to allow a **simple push-in action** guaranteeing a safe wiring.
- Q Thanks to a **boxed terminal**, the wire contact pressure does not rely upon surrounding insulating parts, likely to possibly relax under heating when the connector is under current load.
- Q Solid and ferruled flexible wires, when sufficiently stiff, can be **directly inserted** into the connection terminal\*; unprepared stranded wires require instead the initial opening of the spring by means of a simple flat-blade screwdriver, thanks to the actuator button.
- Q **AXYR®** technology makes the **user free to choose** the connector that best suits his needs, naturally reusable and **independent of the required wire cross-section**, compatible with the crimp connectors of the ILME product portfolio: **one size fits the whole range of cross-sectional areas** (compared to competing solution with radial spring that require two sizes).

\* Cross-sectional area  $\geq 0,75 \text{ mm}^2 / 18 \text{ AWG}$

# AXYR® TECHNOLOGY

## ZOOM-IN AND BENEFITS

- ▶ **AXYR®** connection equals the density of the crimp connection, without need for any crimping tool
- ▶ Wire release with a **simple** flat-blade screwdriver
- ▶ **Machined** brass contacts
- ▶ One size fits the **whole range** of cross-sectional areas
- ▶ Suitable for **rigid or ferrule-prepared** stranded wires **as well as** for unprepared stranded wires



# AXYR® FROM THE INSIDE

## THE WIRING



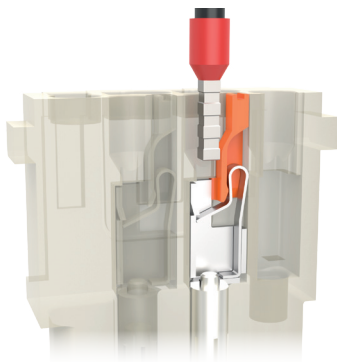
Watch our  
Technical Clip



**SOLID  
OR FERRULED WIRE**  
(CSA\*  $\geq 0,75 \text{ mm}^2$  / 18 AWG)

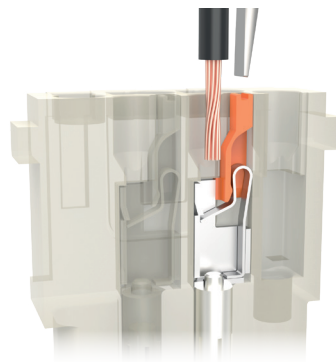


**STRANDED WIRE**  
(all CSA\*)  
**SOLID OR FERRULED WIRE**  
(CSA\*  $< 0,75 \text{ mm}^2$  / 18 AWG)





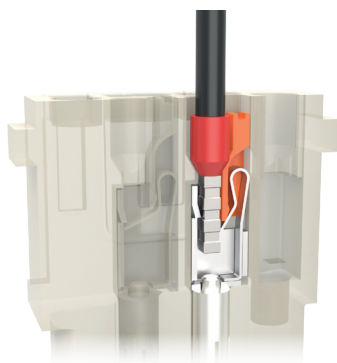
1

Deeply insert  
the solid  
or ferruled  
wire into the  
contact hole



1

Push down the actuator button  
by a flat-blade screwdriver  
 0,5 × 3 mm max. for **10 A**  
 0,5 × 3,5 mm max. for **16 A**  
 insert the stranded wire into  
the contact hole



2

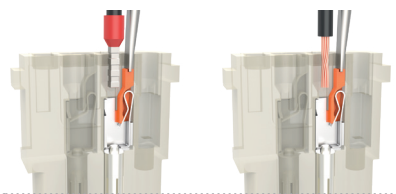
The wire is  
safely secured  
by the spring  
clamp





2

The wire is  
safely secured  
by the spring  
clamp

Re-opening



Push down the actuator button by a flat-blade  
screwdriver to remove the wire:

 0,5 × 3 mm max. for **10 A**  
 0,5 × 3,5 mm max. for **16 A**

\*CSA = Cross-Sectional Area

# AXYR®

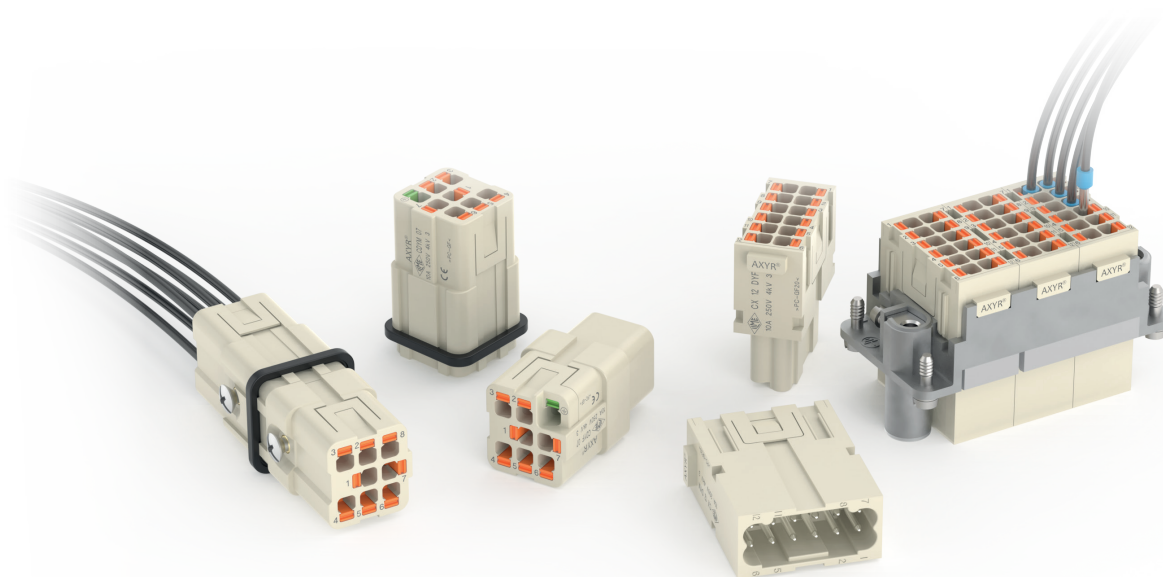
## PRODUCT RANGE



Watch our  
Technical Clip

AXYR® 10 A novelties are marked with the symbol

Inserts		EN 61984 Rating				Poles	Series	Size
CX 06 CYF	CX 06 CYM	16 A	500 V	6 kV	3	6	MIXO	1 module
CX 08 CYF	CX 08 CYM	16 A	400 V	6 kV	3	8	MIXO	1 module
CX 12 DYF	CX 12 DYM	10 A	250 V	4 kV	3	12	MIXO	1 module
CQYF 05	CQYM 05	16 A	230/400 V	4 kV	3	5 + ⊖	CQY	21.21
CDYF 07	CDYM 07	10 A	250 V	4 kV	3	7 + ⊖	CDY	21.21
CDYF 08	CDYM 08	10 A	50 V <sub>AC</sub> /120 V <sub>DC</sub>	0,8 kV	3	8	CDY	21.21
CQYF 08E	CQYM 08E	16 A	500 V	6 kV	3	8 + ⊖	CQY	32.13
CQEYF 10	CQEYM 10	16 A	500 V	6 kV	3	10 + ⊖	CQEY	44.27
CQEYF 18	CQEYM 18	16 A	500 V	6 kV	3	18 + ⊖	CQEY	57.27
CQEYF 32 /N	CQEYM 32 /N	16 A	500 V	6 kV	3	32 + ⊖ / 64 + ⊖	CQEY	77.27 / 77.62
CQEYF 46 /N	CQEYM 46 /N	16 A	500 V	6 kV	3	46 + ⊖ / 92 + ⊖	CQEY	104.27 / 104.62

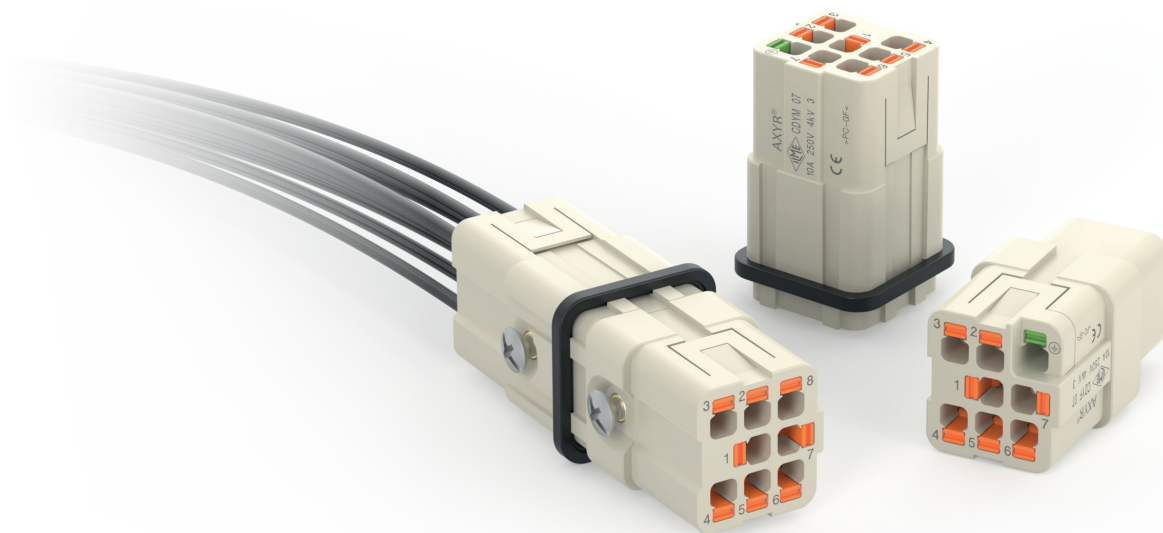


AXYR® 10 A novelties

## AXYR® connection technology

### New 10 A inserts

### CDYF /M 07 and CDYF /M 08



Size 21.21 compact  
and tool-less inserts



Find out more  
[www.ilme.com](http://www.ilme.com)



## TECHNICAL FEATURES

The **AXYR® technology** is now being implemented in an even more compact version for the 10 A, size 21.21, connector inserts equivalent to the CDF /M 07 and CDF /M 08 ones of the popular crimp series **CD**. By offering a considerably compact spring push-in termination, which is able – where the contact pitch allows – to equal the density reached by the crimp connection technology with the great advantage of **not requiring any specialized tool**, these new **AXYR®** variants provide a tool-less option in the popular 21.21 square format when more than the 5 contacts of CQ 05 and CQY 05 are required, where the investment in the crimping technology is not justified.

These new models, series **CDY**, respectively:

Q **CDYF /M 07** (7 P + ⊕): 10 A 250 V 4 kV 3 (230/400 V 4 kV 2)

Q **CDYF /M 08** (8 P): 10 A 50 V<sub>AC</sub> / 120 V<sub>DC</sub> 0,8 kV 3

for the covered range of wiring provide *interchangeability*, i.e., the highest level of *compatibility*, implying *intermountability* and *intermateability*, with the corresponding crimp versions, respectively CDF /M 07 and CDF /M 08.

The new inserts equipped with **AXYR®** spring push-in technology – whose actuator button is required only for the release of the connection or for opening the terminal when using stranded unprepared wires, or solid or ferruled wires with cross-sectional area < 0,75 mm<sup>2</sup> / AWG 18) – offer a wide size range:

Q **0,14 mm<sup>2</sup> to 1,5 mm<sup>2</sup> (AWG 26-16)** for ferruled (prepared) flexible copper wires;

Q **0,14 mm<sup>2</sup> to 2,5 mm<sup>2</sup> (AWG 26-14)** for unferruled (unprepared) solid or flexible copper wires.

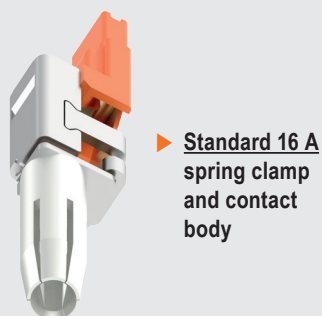
When using solid copper wire or ferruled stranded copper wire with cross-sectional area (CSA) 0,75 mm<sup>2</sup> / AWG 18 or higher, it is possible to terminate the wire by simple push-in action of the stripped or ferruled wire.

In all other instances (stranded wire or solid or ferruled wire with CSA < 0,75 mm<sup>2</sup> / AWG 18) in order to displace the spring and open the terminal, it is necessary to push down the actuator button by using a flat-blade screwdriver 0,5 × 3 mm max.

- > The 8-pole **CDYF /M 08 AXYR®** models, like the affine CDF /M 08 crimp ones, being destined to applications in ELV (extra-low voltage, voltage band I) up to and including 50 V<sub>AC</sub> / 120 V<sub>DC</sub>, not requiring a PE (protective earth) contact, are duly **keyed in order to fit both insulating and metallic enclosures size 21.21**.
- > The 7-pole + ⊕ **CDYF /M 07 AXYR®** models, like the affine CDF /M 07 crimp ones, deemed for uses up to 250 V<sub>AC/DC</sub> (voltage band II) and having the **AXYR®** PE contact as a pass-through one, not providing PE bonding contact to the surrounding enclosure, are **keyed in order to fit only insulating enclosures size 21.21**.
- > The mating faces of these 8 P and 7 P + ⊕ **AXYR®** connector inserts are also differently polarized in order to avoid cross-mating of different polarities, while the cross-mating between of variants **AXYR®** and crimp with the same polarity is allowed.
- > Conductors stripping length: 9..11 mm.
- > Silver plated contacts, stainless steel spring and tin plated brass stamped cage terminals.
- > **CKR 65** special screw + sealing gasket replacement for getting IP66/IP67/IP69 degree of protection (standard screw provides degree of protection only when using insulating enclosures).
- ✎ NOTE – Additional colour coding with dark grey RAL 7002, like formerly in use for CDF /M 07 is no longer applied. CDY 07 and CDY 08 can be easily distinguished by the presence on the CDY 07 inserts of a **green-coloured PE actuator button**, while all buttons of the CDY 08 are **orange-coloured**.
- > Max diameter of wire sheathing or ferrule funnel: ø 3,8 mm (unprepared wire size 2,5 mm<sup>2</sup> / AWG 14 or ferruled wire size 1,5 mm<sup>2</sup> / AWG 16).

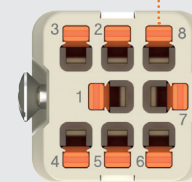
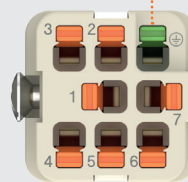
### MARKINGS AND APPROVALS

- **CE** and **UKA** markings (only for CDY 07)
- cURus, CQC, DNV, BV, EAC (only for CDY 07) pending
- **RoHS**: compliant with exemption 6(c)



▶ **New terminal opening** for optimized conductors insertion (either ferruled or un-ferruled)

▶ **PE actuator button**



# CDY 07 AXYR®

10 A – 250 V

size **21.21**

**7 poles + ⊕**


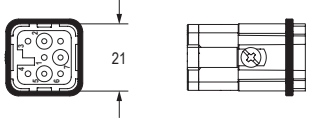

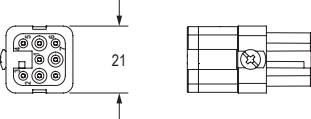
**Tool-less connection**

EN 61984 rating	10 A 250 V 4 kV 3 10 A 230/400 V 4 kV 2
Rated voltage (UL / CSA)	600 V
Insulation resistance	≥ 10 GΩ
Contact resistance	≤ 3 mΩ
Ambient temperature limit	-40 °C ... +125 °C
Mechanical life	≥ 500 cycles



CQC, DNV, BV, EAC pending

cURus pending

Item	Description	Part No.	Dimensions
	Male inserts with male contacts AXYR® spring push-in connection	<a href="#">CDYM 07</a>	
	Female inserts with female contacts AXYR® spring push-in connection	<a href="#">CDYF 07</a>	

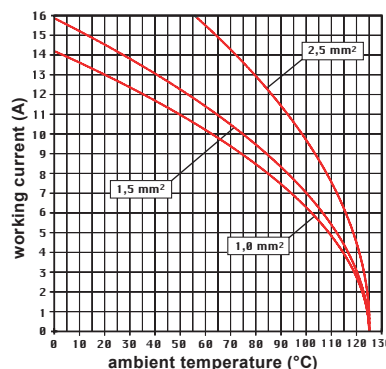
**Materials**

Insert	polycarbonate (PC)
UL 94 flammability class	V-0
Colour	pebble grey RAL 7032
Contacts	silver plated

**Wiring information**

Wire cross-section	for unprepared conductors: 0,14 mm <sup>2</sup> - 2,5 mm <sup>2</sup> (AWG 26-14)
	for prepared conductors: 0,14 mm <sup>2</sup> - 1,5 mm <sup>2</sup> (AWG 26-16)
Stripping length	9...11 mm

COMPACT 21.21 ENCLOSURES	Pages
Insulating type	56-59
	CN.19 339-348
HYGIENIC - CKH / MKH	62-63
	News 2020 108-114
COB 03/3 BC	News 2020 134



CDY 07 inserts maximum current load derating diagram

# CDY 08 AXYR®

10 A – 50 V<sub>AC</sub> / 120 V<sub>DC</sub>


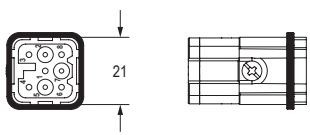

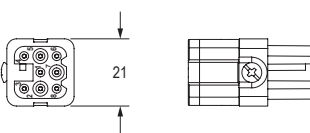
size **21.21**  
8 poles

## Tool-less connection

EN 61984 rating	10 A 50 V <sub>AC</sub> /120 V <sub>DC</sub> 0,8 kV 3
Rated voltage (UL / CSA)	50 V <sub>AC</sub> /120 V <sub>DC</sub>
Insulation resistance	≥ 10 GΩ
Contact resistance	≤ 3 mΩ
Ambient temperature limit	-40 °C ... +125 °C
Mechanical life	≥ 500 cycles

CQC, DNV, BV pending

cURus pending

Item	Description	Part No.	Dimensions
	Male inserts with male contacts AXYR® spring push-in connection	<a href="#">CDYM 08</a>	
	Female inserts with female contacts AXYR® spring push-in connection	<a href="#">CDYF 08</a>	

### Materials

Insert	polycarbonate (PC)
UL 94 flammability class	V-0
Colour	pebble grey RAL 7032
Contacts	silver plated

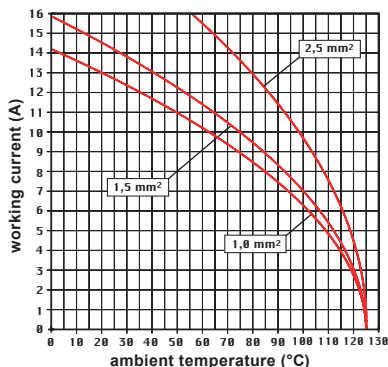
### Wiring information

Wire cross-section	for unprepared conductors: 0,14 mm <sup>2</sup> - 2,5 mm <sup>2</sup> (AWG 26-14)
	for prepared conductors: 0,14 mm <sup>2</sup> - 1,5 mm <sup>2</sup> (AWG 26-16)
Stripping length	9...11 mm

### COMPACT 21.21 ENCLOSURES

#### Pages

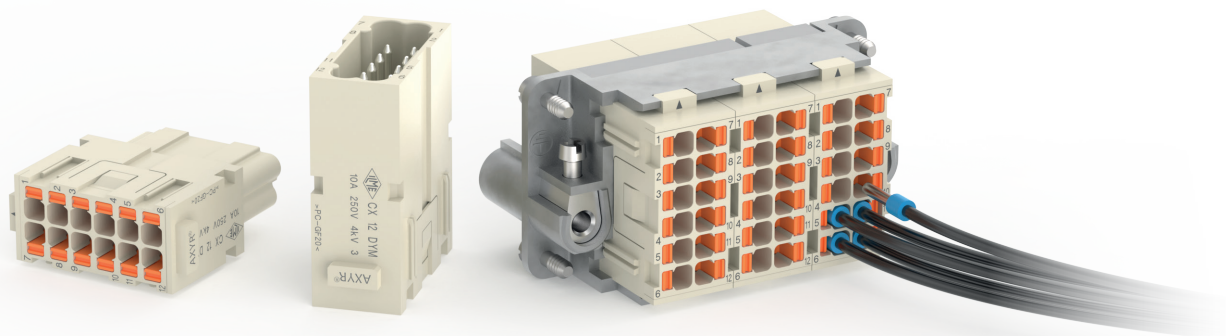
<b>Insulating type</b>		56-59
	CN.19	339-348
<b>Metallic type</b>	News 2023	70-71
	CN.19	349-363
<b>W-TYPE for aggressive environments</b>	CN.19	512-518
<b>EMC (Electromagnetic Shielding)</b>	CN.19	564-572
<b>IP68</b>	CN.19	628-631
<b>E-Xtreme® corrosion proof</b>	CN.19	538-539
<b>HYGIENIC - CKH / MKH</b>		62-63
	News 2020	108-114
<b>COB 03/3 BC</b>	News 2020	134



CDY 08 inserts  
maximum current load  
derating diagram

## AXYR® connection technology

### New 10 A MIXO modules CX 12 DYF /M



The new 12-pole **AXYR® CX 12 DYF / M** MIXO modules are the tool-less variant of the popular crimp version CX 12 DF /M.

The 10 A range with **AXYR®** spring push-in technology – whose actuator button is required only for release purposes or for wiring with stranded copper wires or ferruled or solid wires with CSA < 0,75 mm<sup>2</sup> / 18 AWG – allows these inserts to cover with one size the whole wire ranges:

- Q 0,14 mm<sup>2</sup> to 1,5 mm<sup>2</sup> (AWG 26-16) for ferruled (prepared) flexible copper wires;
- Q 0,14 mm<sup>2</sup> to 2,5 mm<sup>2</sup> (AWG 26-14) for unferruled (unprepared) solid or flexible copper wires;

without need for additional crimping tools.

While crimping is a special process requiring skill, the **AXYR®** technology, being so simple, is virtually skill-independent and provides tool-less connection for contact densities that the **SQUICH®** technology cannot achieve even in its most compact version.

- > Current-temperature derating diagrams (current-carrying capacity curves) for the **CX 12 DYF / M AXYR®** module are like those of the equivalent CX 12 DF /M crimp version for the same wiring.
- > Conductors stripping length: 9..11 mm.
- > Silver plated contacts.
- > Max diameter of wire sheathing or ferrule funnel: ø 3,8 mm (unprepared wire size 2,5 mm<sup>2</sup> / AWG 14 or ferruled wire size 1,5 mm<sup>2</sup> / AWG 16).

#### MARKINGS AND APPROVALS

- CE and UKCA markings
- cURus, CQC, DNV, BV and EAC pending
- RoHS: compliant with exemption 6(c)

# CX 12 DY AXYR®

10 A – 250 V

size **1 module**

**12 poles**


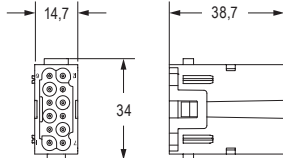

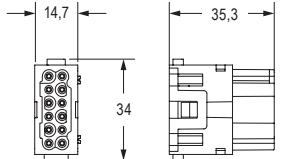
**Tool-less connection**

EN 61984 rating	<b>10 A 250 V 4 kV 3</b>
Rated voltage (UL / CSA)	<b>600 V</b>
Insulation resistance	<b>≥ 10 GΩ</b>
Contact resistance	<b>≤ 3 mΩ</b>
Ambient temperature limit	<b>-40 °C ... +125 °C</b>
Mechanical life	<b>≥ 500 cycles</b>



CQC, DNV, BV, EAC pending

cURus pending

Item	Description	Part No.	Dimensions
	Male inserts with male contacts <b>AXYR®</b> spring push-in connection	<a href="#">CX 12 DYM</a>	
	Female inserts with female contacts <b>AXYR®</b> spring push-in connection	<a href="#">CX 12 DYF</a>	

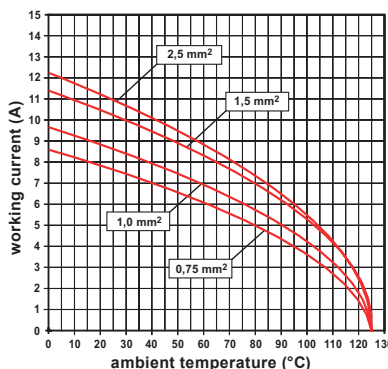
Materials	
Insert	polycarbonate (PC)
UL 94 flammability class	V-0
Colour	pebble grey RAL 7032
Contacts	silver plated

Wiring information	
Wire cross-section	for unprepared conductors: 0,14 mm <sup>2</sup> - 2,5 mm <sup>2</sup> (AWG 26-14)
	for prepared conductors: 0,14 mm <sup>2</sup> - 1,5 mm <sup>2</sup> (AWG 26-16)
Stripping length	9...11 mm

ACCESSORIES		Pages
<b>Frames for modular units</b>	CN.19	316-317
<b>MIXO thermoplastic docking frames</b>		44-47
<b>MIXO ONE enclosures</b>	CN.19	369
<b>MIXO TWO enclosures</b>		36
	News 2023	76

The modular inserts must be installed:

- in suitable metal frames for modular units, which are then mounted in enclosures or in COB panel supports;
- in suitable MIXO thermoplastic docking frames, which are then mounted inside cabinets with drawer systems, for blind-mating connections;
- single-sized modular units may be directly mounted inside MIXO ONE or MIXO TWO enclosures.



**CX 12 DY inserts maximum current load derating diagram**

# MIXO SERIES

## GENERAL OVERVIEW

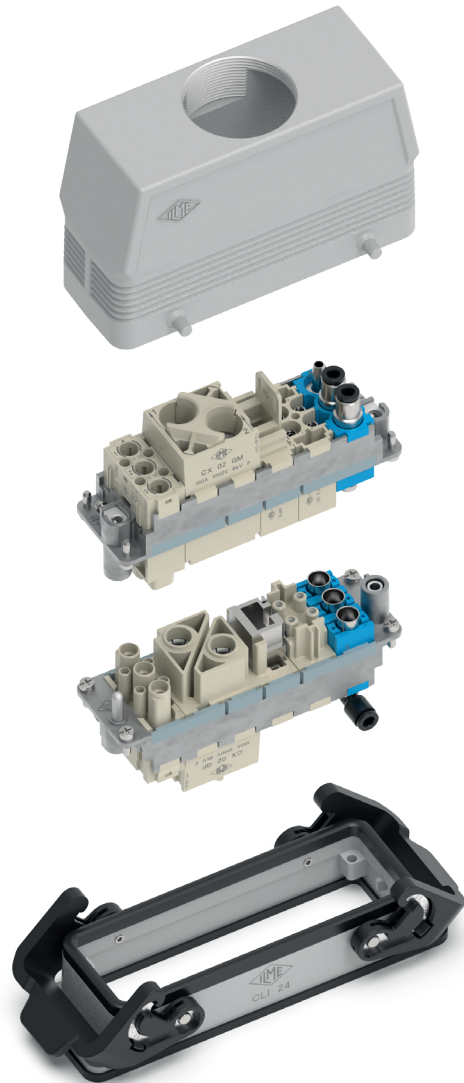
The MIXO series is a system of modular units for special applications that uses the traditional ILME enclosures.

Each enclosure can house different types of connections such as: electric signals and contacts for the conduction of compressed air with pressure values of up to 10 bar.

The inserts are arranged side by side to form a single **compact block** which is inserted into metallic frames with constrained positioning. Once the modules have been inserted and locked with the special tabs, the connector can be placed into the enclosure.

The modular system makes it easy to access a series of contacts inserted in the frame (e.g., for substitution, check or the addition of signals with new inserts for needs not foreseen during the initial installation) without having to disassemble the entire connector.

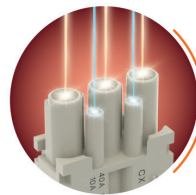
ILME MIXO series of modular connectors is an open connector system that provides versatile configuration to the users' individual requirements, giving the **freedom to assemble a customized connector** from a range of 77 modules for power electrical, data transmission, optical signals or air. The module range is continuously expanded, allowing new configurations to be realised.



📌 The use of enclosures provides the possibility of innumerable applications.



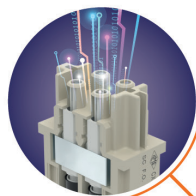
POWER



SIGNAL



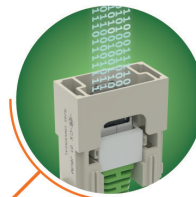
POWER



FIBRE OPTIC



PNEUMATIC



DATA

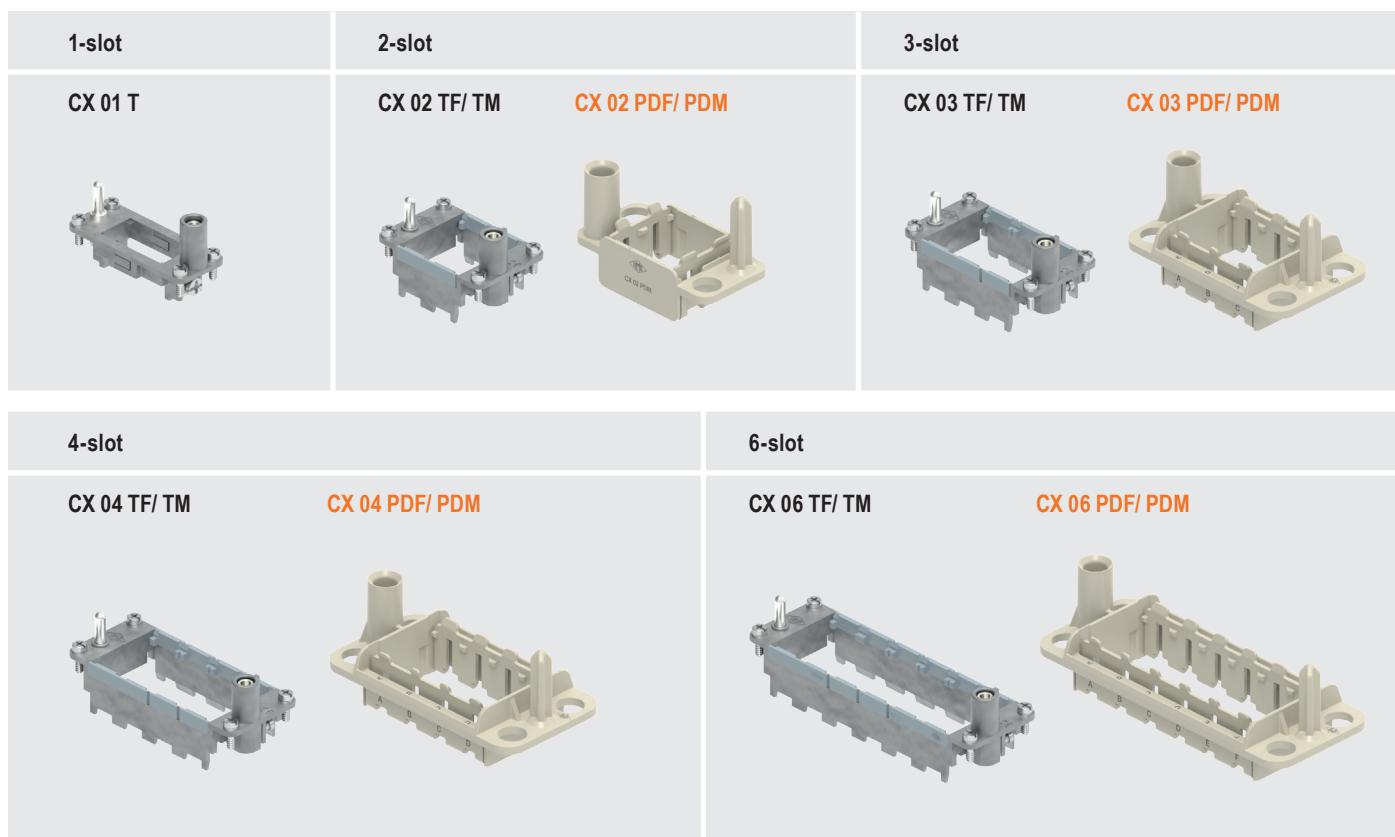
MIXO series modular units, once assembled as multi-module insert, can be directly mounted in both of the following metal and in the **new MIXO thermoplastic docking frames** (see pages 44-47).

Metal frames	Enclosures size	Docking frames
CX 01 T	49.16	--
CX 02 TF/ CX 02 TM	44.27	CX 02 PDF/ PDM
CX 03 TF/ CX 03 TM	57.27	CX 03 PDF/ PDM
CX 04 TF/ CX 04 TM	77.27	CX 04 PDF/ PDM
CX 06 TF/ CX 06 TM	104.27	CX 06 PDF/ PDM
CX 04 TF/ CX 04 TM (x 2)	77.62	--
CX 06 TF/ CX 06 TM (x 2)	104.62	--

Possibility – to be verified case-by-case – to use the MIXO **HNM frames** (provided with special gold plated PE contacts) together with R series of crimp contacts and the relevant connector hoods and housings, to produce, where required, an **HNM connector** (High Number of Matings, up to 10 000 cycles of operation).

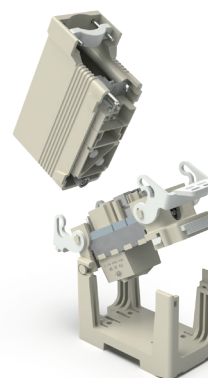
Single-sized modules, where specified, can also be installed directly inside **MIXO ONE** and **MIXO TWO** enclosures.

☞ NOTE: MIXO thermoplastic docking frames cannot be mounted inside enclosures.



In addition, the MIXO series can be used with the **COB series panel supports**:

Frames	COB panel supports part No.
CX 02 TF/ CX 02 TM (fixed)	COB 06 BC and COB TCQ
CX 02 TF/ CX 02 TM (mobile)	COB TSF, COB TSFS and COB 06 CMS
CX 03 TF/ CX 03 TM (fixed)	COB 10 BC and COB TCQ
CX 03 TF/ CX 03 TM (mobile)	COB TSF, COB TSFS and COB 10 CMS
CX 04 TF/ CX 04 TM (fixed)	COB 16 BC and COB TCQ
CX 04 TF/ CX 04 TM (mobile)	COB TSF, COB TSFS and COB 16 CMS
CX 06 TF/ CX 06 TM (fixed)	COB 24 BC and COB TCQ
CX 06 TF/ CX 06 TM (mobile)	COB TSF, COB TSFS and COB 24 CMS



## THE COMPLETE RANGE

2024 product is marked with the symbol **+**.

Inserts	Series	Contact type	Signal type	Kind of connection	Rated current (A)	Rated voltage (V)	Number of frame slots
CX 01/01B 30F/M		main	electric	crimp	300	1000	2
CX 01/01B 30PEF/M		PE	electric	crimp	300	—	2
CX 01 30AF/M		main	electric	90° screw	300	1000	2
CX 01 30PEAF/M		PE	electric	90° screw	300	—	2
CX 01 YF/M		main	electric	crimp	200	1000	2
CX 01 YPEF/M		PE	electric	crimp	200	—	2
CX 01 YAF/M		main	electric	90° screw	200	1000	2
CX 01 YPEAF/M		PE	electric	90° screw	200	—	2
CX 01 GF/M		main	electric	crimp	100	830	1
<b>+</b> CX 01 GPEF/M		<b>PE</b>	<b>electric</b>	<b>crimp</b>	<b>—</b>	<b>—</b>	<b>1</b>
CX 02 GF/M		main	electric	crimp	100	1000	2
CX 02 7F/M		main	electric	crimp	70	1000	1
CX 02 4AF/M		main	electric	axial screw	40	1000	1
CX 02 4BF/M		main	electric	axial screw	40	1000	1
CX 02 4F/M		main	electric	crimp	40	1000	1
CX 03 4F/M		main	electric	crimp	40	400 / 690	1
CX 03 4BF/BM		main	electric	crimp	40	500	1
CX 3/4 XDF/M		main / auxiliary	electric	crimp	40 / 10	830	1
CX 04 XF/M		main	electric	crimp	40	830	1
<b>▲</b> CX 05 SF/M		main	electric	spring	16	400	1
CX 05 SHF/M		main	electric	<b>SQUICH</b> ®-spring	16	400	1
CX 06 CF/M		main	electric	crimp	16	500	1
CX 06P CF/M		main	electric	crimp	16	830	1
CX 06 CYF/M		main	electric	<b>AXYR</b> ®-spring	16	500	1
CX 08 I6F/M		main + shield	electric	crimp	5	50	1
CX 08 I6GF/I6GM		main + shield	electric	crimp	5	50	1
RX 08 I6F/M	<b>HNM</b>	main + shield	electric	crimp	5	50	1
RX 08 I6GF/I6GM	<b>HNM</b>	main + shield	electric	crimp	5	50	1
CX 08 D5F/F2 M/M2		main + shield	electric	crimp	10	50	1
CX 08 D5GF/F2 GM/M2		main + shield	electric	crimp	10	50	1
RX 08 D5F/F2 M/M2	<b>HNM</b>	main + shield	electric	crimp	10	50	1
RX 08 D5GF/F2 GM/M2	<b>HNM</b>	main + shield	electric	crimp	10	50	1
CX 08 CYF/M		main	electric	<b>AXYR</b> ®-spring	16	400	1
CX 20 CF/M		main	electric	crimp	16	500	2
CX 12 DF/M		main / auxiliary	electric	crimp	10	250	1
CX 12 DYF/M		main / auxiliary	electric	<b>AXYR</b> ®-spring	10	250	1
CX 17 DF/M		main / auxiliary	electric	crimp	10	160	1
CX 42 DF/M		main / auxiliary	electric	crimp	10	150	2
CX 25 IBF/M		main / auxiliary	electric	crimp	4	50	1
<b>▲</b> CX 25 IF/M		main / auxiliary	electric	crimp	4	50	1
CX 20S IF/M		main / auxiliary + shield	electric	crimp	4	32	1
CX 20S IGF/IGM		main / auxiliary + shield	electric	crimp	4	32	1

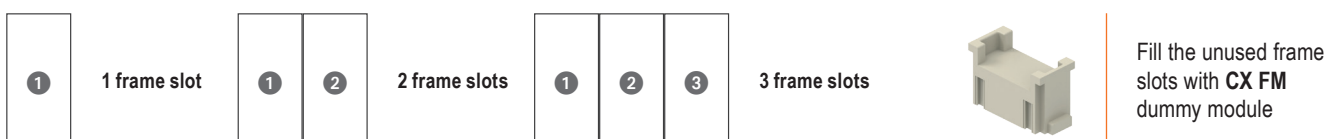
**▲** Available upon request



Inserts	Series	Contact type	Signal type	Kind of connection	Rated current (A)	Rated voltage (V)	Number of frame slots
RX 20S IF/M	HNM	main / auxiliary + shield	electric	crimp	4	32	①
RX 20S IGF/IGM	HNM	main / auxiliary + shield	electric	crimp	4	32	①
CX 36 IF/M		main / auxiliary	electric	crimp	4	32	①
CX 02 CHF/M		main	electric	crimp	16	2500	①
CX 02 HF/M		main	electric	crimp	16	2900 / 5000	②
CX 02 4HF/M		main	electric	crimp	40	2900 / 5000	②
CX 02 BF/M		seat for two shielded connectors (refer to CX 04 B, CX 01 B, CX 01 BC, CX 08 B)					
CX 01 BCF/M		main / auxiliary + shield	electric	crimp	16	50	—
CX 01 BF/M		main / auxiliary + shield	electric	crimp	10	50	—
CX 04 BF/M		main / auxiliary + shield	electric	crimp	10	50	—
CX 08 BF/M		main / auxiliary + shield	electric	crimp	5	50	—
CX 03 P		pneumatic plastic Ø 1,6 - 3,0 - 4,0 mm	air	push-in	—	—	①
CX 02 P		pneumatic plastic Ø 6,0 mm	air	push-in	—	—	①
CX 03 MP		pneumatic metal Ø 3,0 - 4,0 - 6,0 mm	air	push-in / quick-fitting	—	—	①
CX 02 MPBF/M		pneumatic metal Ø 8,0 - 10,0 mm	air	push-in / quick-fitting	—	—	②
CX FM		none (dummy module)	—	—	—	—	①
CX 01 J8F/M/IM		RJ45	electric	crimp / IDC	—	—	①
CX 01 J8AIF/BIF/PIF		RJ45 + shield	electric	IDC	1	50	①
CX 01 J8UM		RJ45	electric	IDC	—	—	①
CX 01 JF/M		RJ45 + auxiliary	electric	crimp	10	250	②
CX 02 JF/M		RJ45 + auxiliary	electric	crimp	10	250	③
CX 01 UF/M		USB	electric	—	—	—	①
CX 01 9VF/M		D-SUB	electric	crimp	5	50	①
CX 01 9VF2/M2		D-SUB + shield	electric	crimp	5	50	①
CX 01 9VTF		D-SUB	electric	screw	5	50	①
CX 01 MIF/MIM		HDMI	electric	—	—	—	①
CX 04 LF/M		POF / MOST	optic	crimp	—	—	①
CX 04 RF/M		coaxial	electric	crimp	—	—	①
CX 04 SCF/M		SC fibre optic	optic	crimp / glue	—	—	①

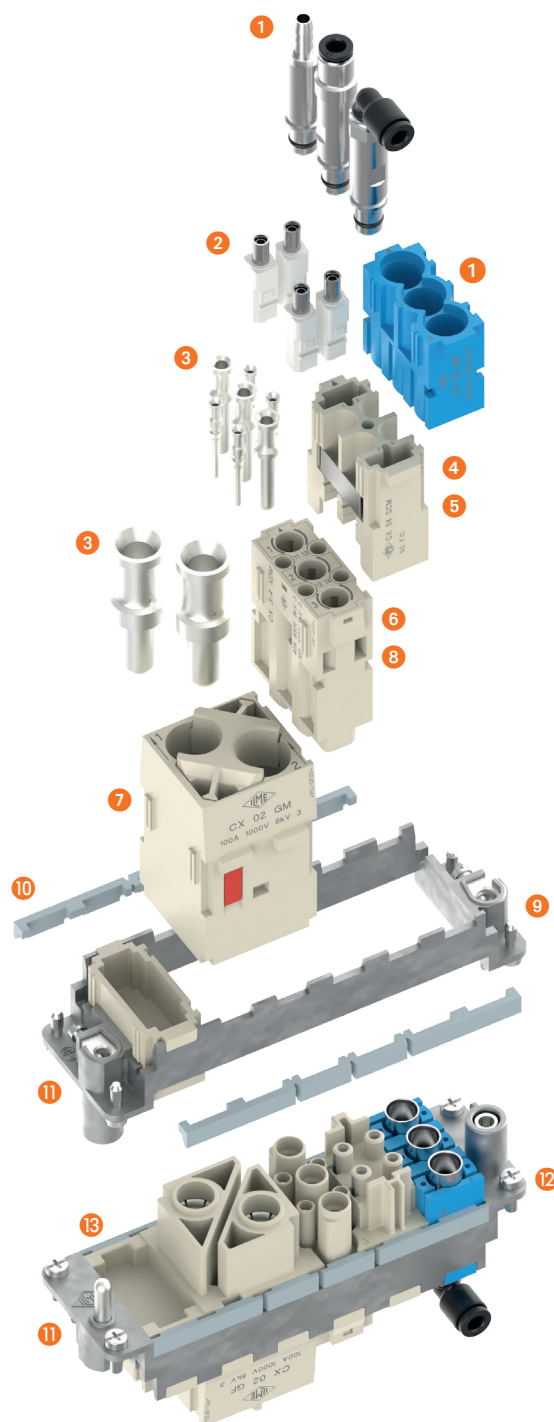
Calculate the number of frame slots taken up by the required inserts (1-, 2-, or 3-slot sized modular inserts) and select the correspondingly sized frame having the overall number of required slots (1-, 2-, 3-, 4-, and 6-slot metal frames, or the **new 2-, 3-, 4-, and 6-slot thermoplastic docking frames**, see pages 44-47).

Single-sized modules, where specified, can also be installed directly inside **MIXO ONE** and **MIXO TWO** enclosures.



## TECHNICAL CHARACTERISTICS

- 1 Metal pneumatic contacts with hose barbs or quick fitting connection, available also in plastic with hose barbs connection.
- 2 Fibre optic contacts SC type.
- 3 Electric contacts in silver-plated or gold-plated brass with connections to the conductors via crimping, spring clamp or axial screw.
- 4 Modular inserts of single or multiple size with mutual slide locking system for forming the complete multi-module insert and metal frame locking tabs.
- 5 Inserts in self-extinguishing thermoplastic material, reinforced with glass fibre, UL 94V-0 approved, with a working temperature range of -40 °C to +125 °C (unless otherwise declared).
- 6 Inserts in conformance with the requirements of the EN 61984 standard and certified and marked with the UL, CSA (where applicable), CQC, DNV, BV, EAC (where applicable) marks.
- 7 Inserts with patented "swallowtails" to prevent incorrect coupling.
- 8 Position of contacts identified with numbers or codes on both faces (mating and wiring) of every insert.
- 9 Male/female module carrier frames with obliged positioning and polarization, in die-cast zinc alloy.
- 10 Module locking tabs, may be splitted according to the number of modules used; they guarantee a perfect stability of the modules during wiring and coupling/uncoupling of the connectors.
- 11 Asymmetric protective earth contacts (two per frame) with wide contact surface, prevent incorrect coupling; when two or more identical connectors of the MIXO series are used, coding pins may prevent incorrect coupling.
- 12 Captive frame fastening screws, with anti-loosening spring washer.
- 13 Dummy module for unused frame slots.

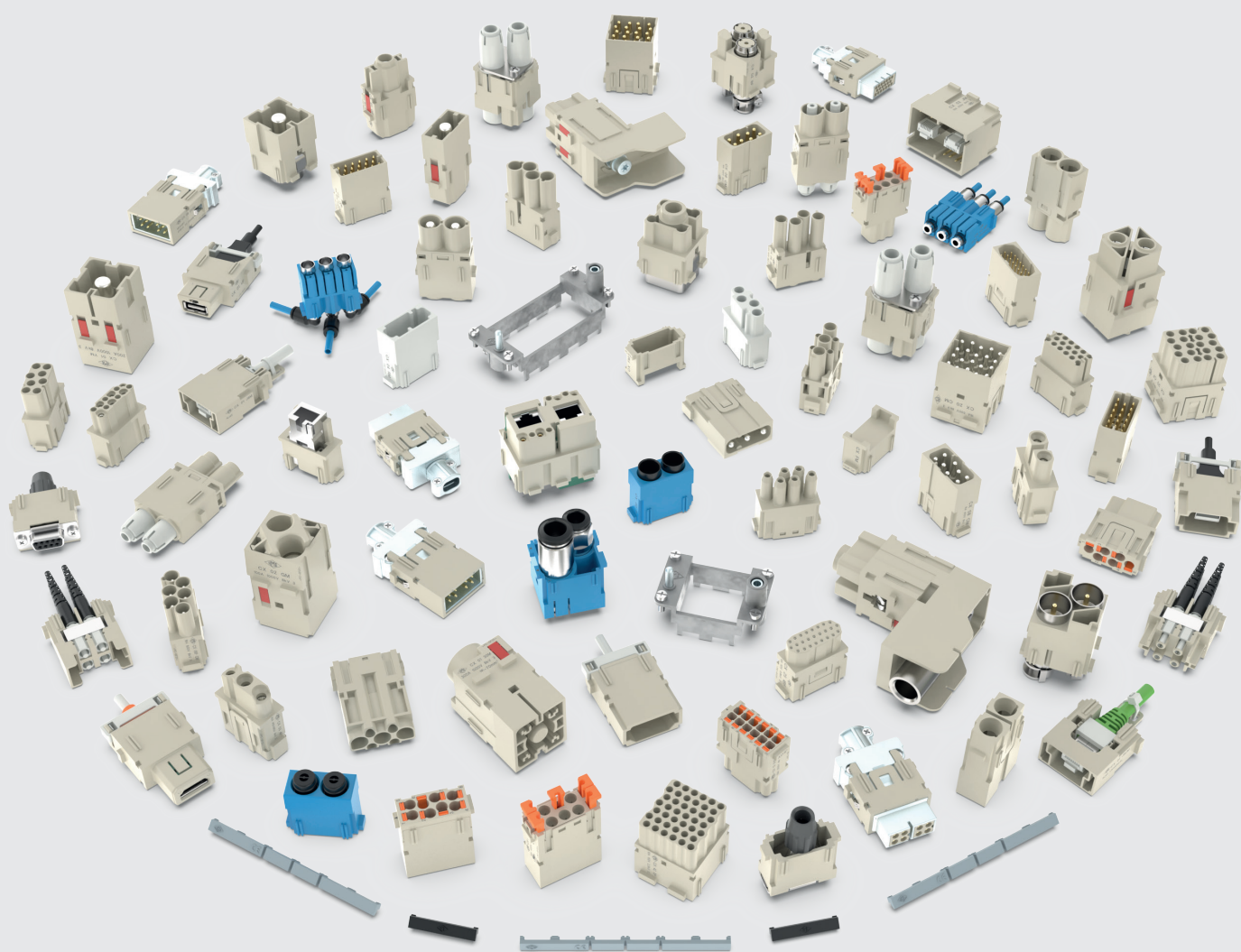


## ADVANTAGES

- ☑ Easy and user-friendly assembly of the complete multi-module insert before fixing it on the relevant suitably sized metal frame or thermoplastic docking frame;
- ☑ use of proprietary ILME technology providing each module with "swallowtails" (lateral keys/keyways), for reciprocal locking of modules and overall assembly of the insert into rigid (non hinged) frames with snap-in locking tabs;
- ☑ faster and easier assembly compared with competitor solutions (easier handling of modules as a complete block than e.g. 6 independent parts);
- ☑ intermateability at "complete connector" (modules in frame) with other industry standard products;
- ☑ robust and long lasting prevailing crimp connection technology (largely preferred over screw type technology in high vibration and shock environments).

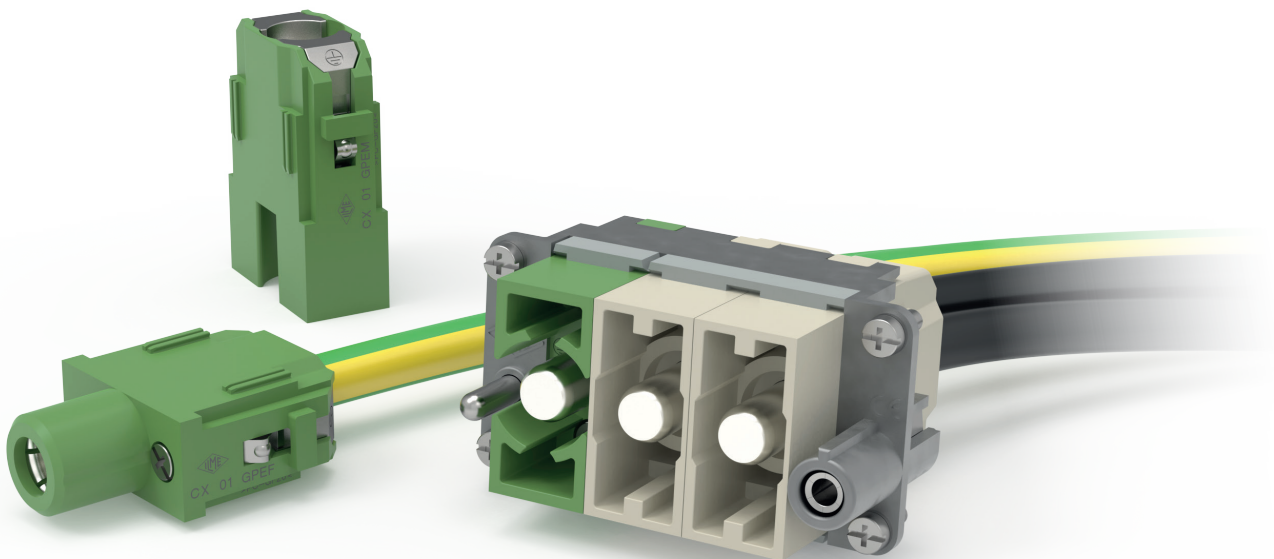


Watch our  
MIXO series Video



MIXO SERIES AT A GLANCE

## Single-sized MIXO PE modules CX 01 GPEF /M



For large PE conductor cross-sectional areas  
(10 mm<sup>2</sup> / AWG 8 to 35 mm<sup>2</sup> / AWG 2)



Find out more  
[www.ilme.com](http://www.ilme.com)

# TECHNICAL FEATURES



Watch our technical clip

MIXO modular connector series can now employ the **new 1 slot sized PE module for series CG (100 A max) crimp contacts** (separately available). This allows the connection of protective earth lines with large conductor cross-sectional areas ranging from 10 mm<sup>2</sup> / AWG 8 to 35 mm<sup>2</sup> / AWG 2.

It realizes a “*first-make, last-break*” function versus any line contact in nearby installed modular inserts of MIXO series.

This new PE module is particularly suitable in combination with:

- Q **CX 01 GF /M** (1-pole, 1-slot sized) and **CX 02 GF /GM** (2-pole, 2-slot sized) 100 A modules once keeping the same size for the PE wire and the power (phase/neutral) wires so that special multi-core cables with reduced PE size are no longer required.
- Q **CX 01 YF /M** (1-pole, 2-slot sized) 200 A modules or **CX 01 30F /M** (1-pole, 2-slot sized) 300 A modules once keeping the same size for the PE wire and the line/neutral power wires up to 35 mm<sup>2</sup> / AWG 2, and using the possibility to cover, with the 35 mm<sup>2</sup> / AWG 2 PE size – at half the size of the line/neutral wires, like wiring regulations allow – up to 70 mm<sup>2</sup> / AWG 2/0 power wires, leaving space for one additional single-sized module in a 6-slots MIXO frame or thermoplastic docking frame (see pages 44-47) when e.g., 2× **CX 01 YF /M** for a 1-phase circuit are required.

NOTE 1 – The PE line can be sized 16 mm<sup>2</sup> / AWG 6 when the phase/neutral line sizes are respectively 25 mm<sup>2</sup> / AWG 4 or 35 mm<sup>2</sup> / AWG 2. However, unless the cable is a special one, multi-core cables have the PE conductor equally sized, either 25 mm<sup>2</sup> / AWG 4 or 35 mm<sup>2</sup> / AWG 2.

NOTE 2 – MIXO frames for modular units are equipped with two protective earth (PE) screw-type terminals:  
 - the larger one (conductor seat Ø 4,7 mm) for wire sizes 4 mm<sup>2</sup> / AWG 12 or 6 mm<sup>2</sup> / AWG 10;  
 - the smaller one (conductor seat Ø 3,3 mm) for wire sizes from 1 mm<sup>2</sup> / AWG 18 to 2,5 mm<sup>2</sup> / AWG 14.

In order to connect a larger PE conductor to the PE terminals of MIXO frames – required when using connector modules with power contacts sized > 6 mm<sup>2</sup> / AWG 10 – it is necessary to use a PE adapter **CGT 10**, **CGT 16** or **CGT 25** in the larger PE terminal (CN.19, pages 318-319). A further PE adapter **CGT 6.0** for other needs is suitable for connecting larger PE wire sizes up to 6 mm<sup>2</sup> / AWG 10 in the smaller PE terminal). An adapter for size 35 mm<sup>2</sup> / AWG 2 PE conductor is not feasible as the physical dimensions of both such adapter and the wire would interfere with any surrounding connector enclosure.

- > Insulating body in reinforced polycarbonate, **green-coloured**, to identify its PE function and avoid wiring mistakes.
- > Two-part contact holder in zinc alloy, fitted with stainless steel lateral spring contacts, to ensure electrical continuity between protective earth (PE) contact, metal MIXO holding frame and metal enclosures (*exposed-conductive-parts*).

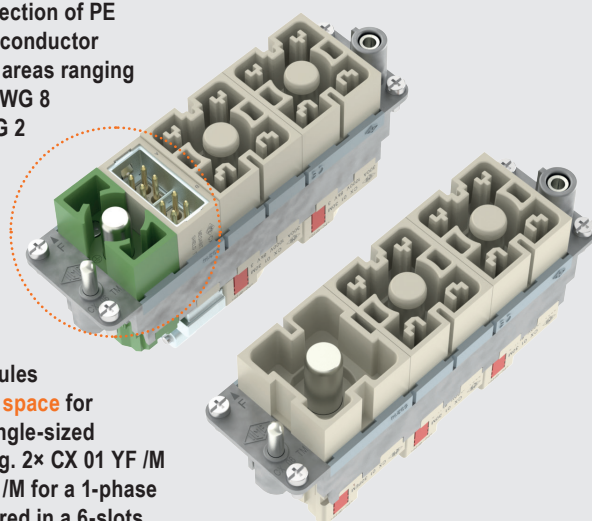
NOTE – Once screwed to the insulating body, the metallic contact holder equipotentially bonds the PE power crimped connection to the metal MIXO frame, which is in turn bonded to the metal enclosure.

## MARKINGS AND APPROVALS

- CE and UKCA markings
- cURus (ECBT2/8 and PVVA2/8) pending
- CQC, EAC, DNV and BV pending
- **RoHS**: compliant when completed with crimp contact series CG, with exemption 6(c)

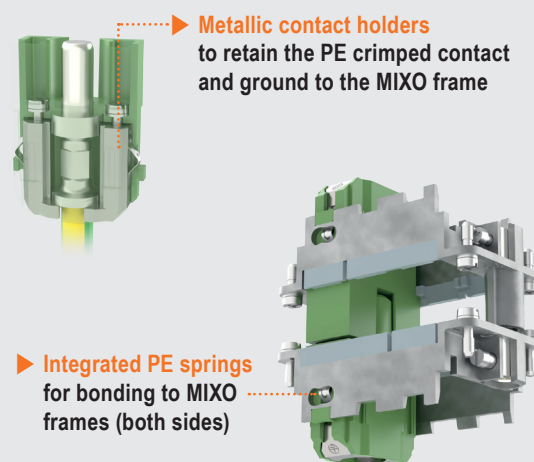
▶ The **new 1 slot sized PE module** allows the connection of PE lines with large conductor cross-sectional areas ranging from 10 mm<sup>2</sup> / AWG 8 to 35 mm<sup>2</sup> / AWG 2

▶ **CX 01 GPE modules** allow to **leaving space** for an additional single-sized module when e.g. 2× **CX 01 YF /M** or 2× **CX 01 30F /M** for a 1-phase circuit are required in a 6-slots MIXO frame



▶ **Metallic contact holders** to retain the PE crimped contact and ground to the MIXO frame

▶ **Integrated PE springs** for bonding to MIXO frames (both sides)



N.B.: Wall sectioned on purpose to show the PE contact between PE plate and MIXO frames

# CX 01 GPE

size **1 module**  
1 PE pole


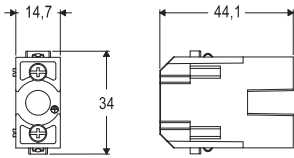

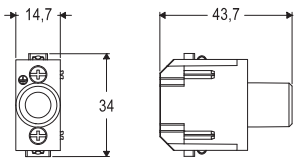
## Crimp connection

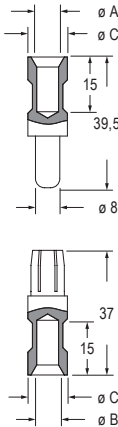
EN 61984 rating	—
Rated voltage (UL / CSA)	—
Insulation resistance	—
Contact resistance	≤ 0,3 mΩ
Ambient temperature limit	-40 °C ... +125 °C
Mechanical life	≥ 500 cycles



CQC, DNV, BV, EAC pending

cURus pending

Item	Description	Part No.	Dimensions
	Without contact (to be ordered separately) PE male insert for male contact	<a href="#">CX 01 GPEM</a>	
	Without contact (to be ordered separately) PE female insert for female contact	<a href="#">CX 01 GPEF</a>	

100 A crimp contacts	section (mm <sup>2</sup> )		section (AWG)		Male	Female	silver	
	8-10	16	8-7	6-5	CGMA 10	CGFA 10		
	25	35	4-3	2	CGMA 16	CGFA 16		
					CGMA 25	CGFA 25		
					CGMA 35	CGFA 35		

Materials	
Insert	polycarbonate (PC)
UL 94 flammability class	V-0
Colour	green, RAL 6017
Contacts	crimp, silver ● plated

Wiring information, CG contacts				
conductor cross-section (mm <sup>2</sup> )	conductor slot ø A (mm)	conductor slot ø B (mm)	conductor slot ø C (mm)	stripping length (mm)
8-10	4,2	4,3	13	15
16	5,5	5,5	13	15
25	7,0	7,0	13	15
35	7,9	8,2	12,5	15

ACCESSORIES	Pages
Frames for modular units	CN.19 316-317
MIXO thermoplastic docking frames	44-47
MIXO ONE enclosures	CN.19 369
MIXO TWO enclosures	36
	News 2023 76

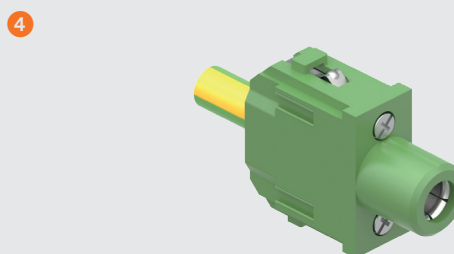
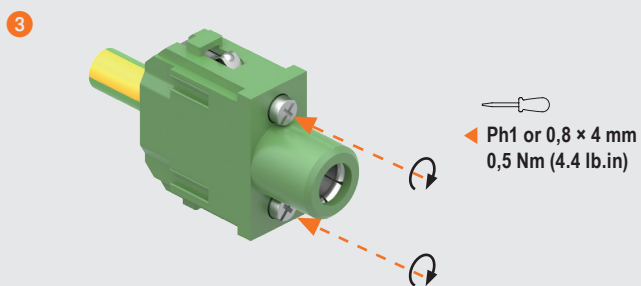
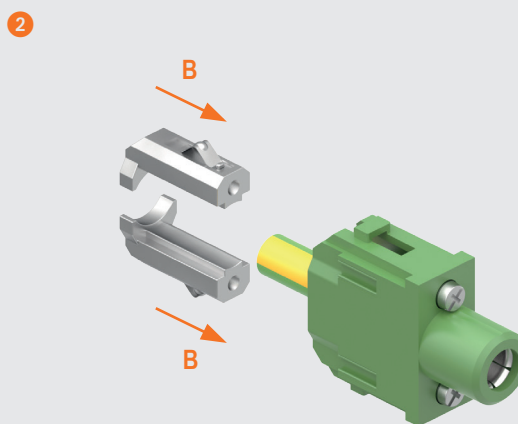
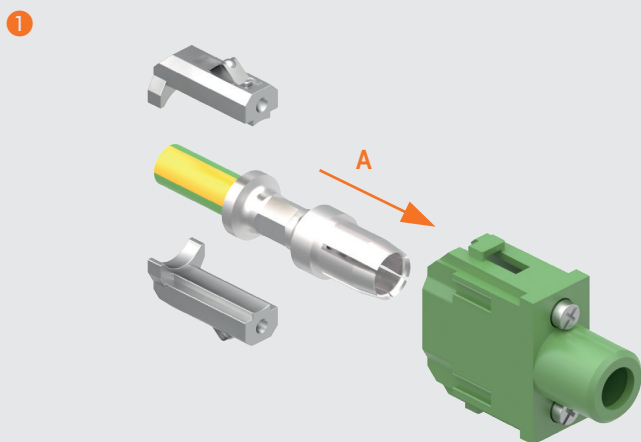
The modular inserts must be installed:

- in suitable metal frames for modular units, which are then mounted in enclosures or in COB panel supports;
- in suitable MIXO thermoplastic docking frames, which are then mounted inside cabinets with drawer systems, for blind-mating connections;
- single-sized modular units may be directly mounted inside MIXO ONE or MIXO TWO enclosures.

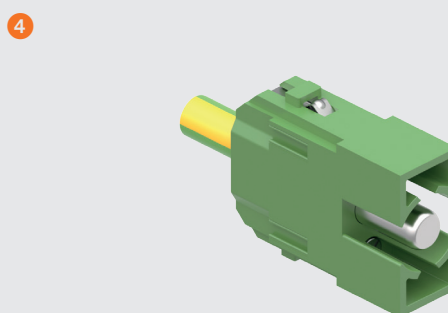
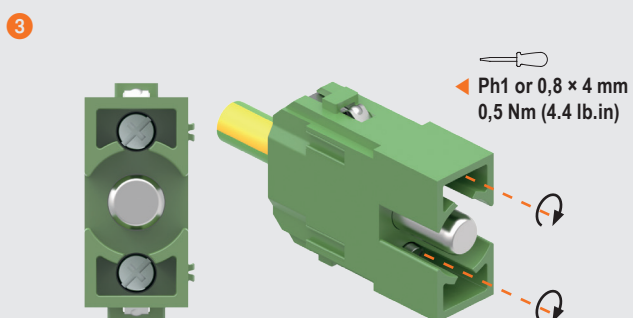
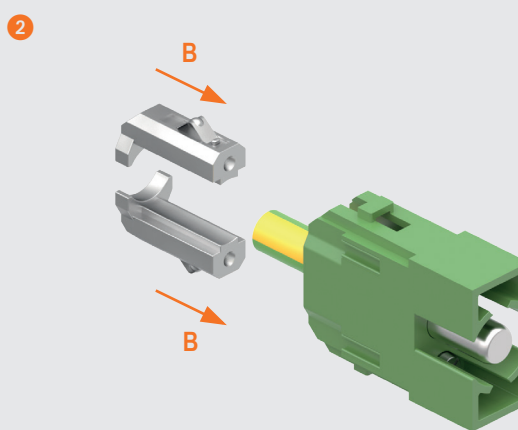
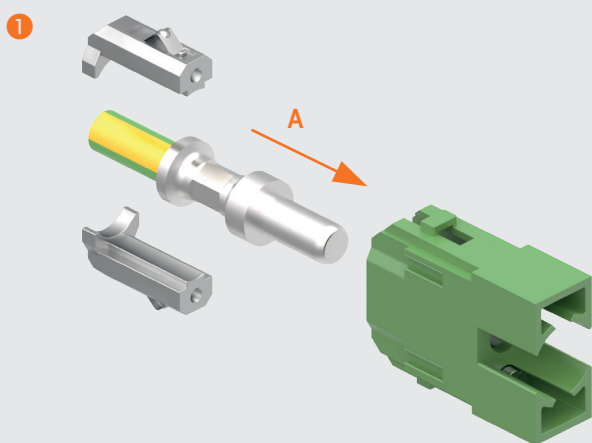
# CX 01 GPE

## Assembly instructions

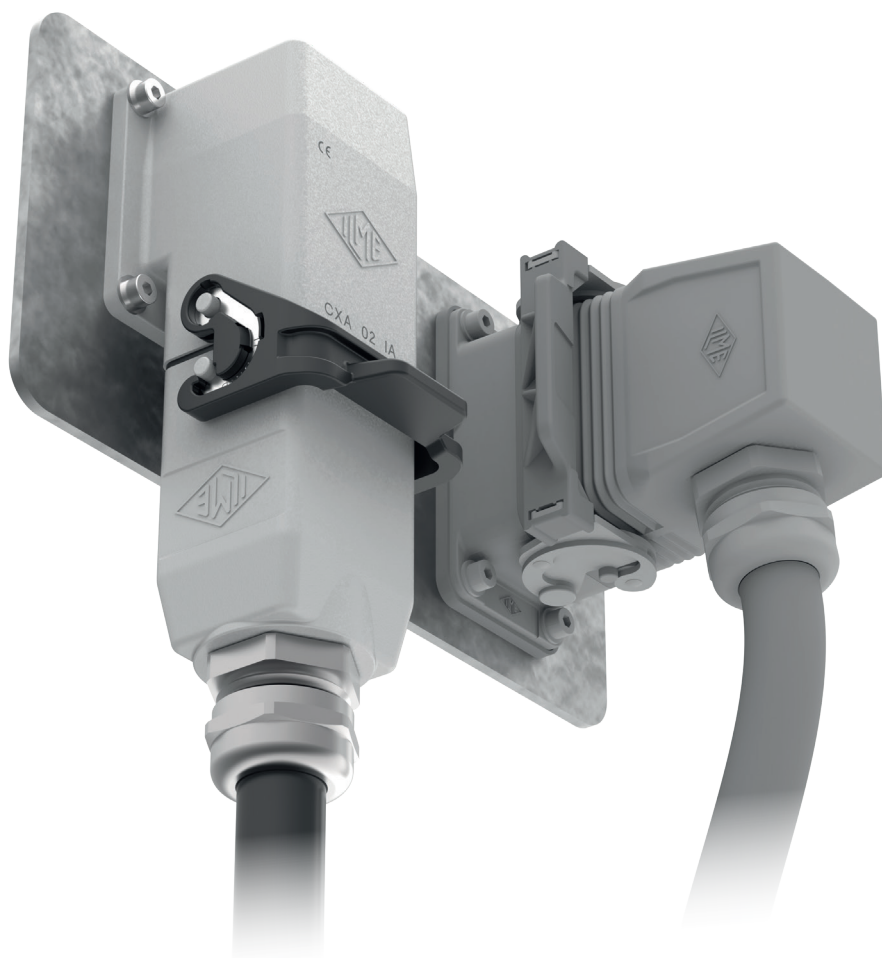
### CX 01 GPEF



### CX 01 GPEM



## MIXO TWO angled and compact 2-module housings CXA 02 IA, MXA 02 AP.. and MXA 02 IAP..



**Compact installation on vertical panels,  
with closed or open bottom flange  
and cable entry**



Find out more  
[www.ilme.com](http://www.ilme.com)



## TECHNICAL FEATURES

Five new **MIXO TWO** housings widen the portfolio of this series of compact metal housings system designed to accept two of the wide range of MIXO series 1-slot sized modular inserts:

- Q **CXA 02 IA:** angled bulkhead mounting metal housing, with open bottom flange and no cable entry;
- Q **MXA 02 AP25** and **MXA 02 AP32:** angled surface mounting metal housings, with closed bottom flange and **M25 /M32** cable entry;
- Q **MXA 02 IAP25** and **MXA 02 IAP32:** angled bulkhead mounting metal housings, with open bottom flange and **M25 /M32** cable entry.

These new angled housings join the already existing MIXO TWO **CXA 02 I** housing and the corresponding **MXA 02 O25**, **MXA 02 O32** hoods with side entry and **MXA 02 V25**, **MXA 02 V32** hoods with top entry.

All these new housings are equally made of die cast zinc alloy, thermosetting powder-coated, grey colour RAL 7040, employing the **IL-BRID** single locking lever with stainless steel core releasably mounted on moulded pegs, and have flange and interface NBR sealing gaskets, glued on the flange bottom and the top contour.

The system includes a dedicated die cast zinc alloy **modules holding frame** with:

- > **PE pre-leading contact** (female on the hoods, male on the bulkhead mounting housing) for enclosure's equipotential bonding to earth, with M4 screw terminal, for Ph1 screwdriver or 1 × 5,5 mm flat blade screwdriver, 1,2 Nm / 10,6 lb.in tightening torque, for wiring to:
  - unprepared wire up to 10 mm<sup>2</sup> / AWG 6
  - ferruled wire prepared with any ferrule crimping tool up to 6 mm<sup>2</sup> / AWG 10, or with **CCXA02PZ W** special ferrule crimping tool for 10 mm<sup>2</sup> / AWG 8 wire
  - PE terminal adapter **CGT 16** for 16 mm<sup>2</sup> / AWG 6 PE wire, which covers use of line/neutral wire sizes up to and including 35 mm<sup>2</sup> / AWG 2;
- > two captive sliding **locking tabs** made by insulating thermoplastic material, for fixing the modules to the frame;
- > two captive **zinc-plated steel M4 screws** with hexagonal socket cylindrical head, for screwdriver's hexagonal tip size s = 3 mm, for fixing the assembly of frame + modules to either panel or hood.

**MIXO TWO** series of metallic enclosures for modular connector inserts is a natural complement of **MIXO ONE** series. Where the last one provides a compact protective solution to transform one single-sized MIXO connector

module into a complete connector, **MIXO TWO** enclosures do the same with **two** 1-slot sized MIXO modules, giving the chance to obtain a 2-module complete connector in a more compact space than using size 44.27 hood and housing, with their relevant MIXO frames.

The new models widen the possible configuration of **completely independent compact connectors** that can be formed by choosing in a myriad of possible modular combination.

NOTE – Some single-sized MIXO modules are not compatible due to additional contour constraints compared with the panel cut-out required for the bulkhead mounting model.

These angled housings are deemed to mate with corresponding hoods, differing by position and size of the cable entry: **M25** or **M32**, side or top entry (angled housings preferably use the top – straight – entry ones).

The housing of two 1-slot sized MIXO modular inserts is allowed in a guided way, avoiding incorrect match with a correspondingly mating connector assembly inside the counterpart MIXO TWO enclosure. These complete connectors using MIXO TWO enclosures result polarized to avoid incorrect 180° reversed mating with corresponding connector.

**Protection covers** for these housings are also available made in shock-proof self-extinguishing thermoplastic material (UL 94V-2) suitable for outdoor exposure, either with pegs (for enclosures with locking lever and sealing gasket) or with locking lever and sealing gasket (for enclosures with pegs) available either with stainless- steel cord, eyelet-terminated (for fixing to the housing) or loop-terminated (for fixing to the hoods, around the incoming cable).

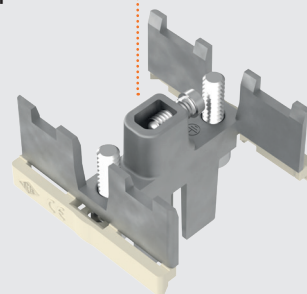
- Q Due to the utmost compactness of this enclosures system, spacings between live parts of the hosted connector modules and the inner surface of the hoods and housing is reduced compared to the corresponding size 44.27 enclosures. Modules with rated insulation voltages higher than 690 V (e.g. 830 V or 1000 V) and rated impulse voltage higher than 6 kV (e.g. 8 kV) used in MIXO TWO enclosures **are limited to such rated values: 690 V 6 kV 3.**

### MARKINGS AND APPROVALS

- **CE** and **UK CA** markings, EAC not applicable
- cURus (ECBT2/ECBT8, Type 12, Type 4 and 4X) pending
- CQC, DNV and BV (as accessories) pending
- **RoHS:** compliant with exemption **6(c)**



- ▶ **Improved PE screw terminal** now accepts up to 10 mm<sup>2</sup> ferruled wire (no special tool required) or 16 mm<sup>2</sup> with CG 16 PE adapter



## FOCUS ON

### PE requirements for connector modules using MIXO TWO enclosures

The PE pin and socket contacts on the **modules holding frames of MIXO TWO enclosures** realize a FMLB (*first-make, last-break*) function with respect to all the line contacts of the housed module/s, although the housed connector modules are COC (*connectors without breaking capacity*) and only CBC (*connectors with breaking capacity*) would strictly require the FMLB function for the PE.

MIXO modules are not equipped by themselves with a PE terminal or a seat for a PE contact, as they are deemed to be assembled and mounted into the dedicated MIXO metallic frames, which are then provided on their short sides with 2 differently-sized PE terminals and the relevant pin-and-socket contacts.

Connectors are usually employed to feed electrical equipment. If rated in **voltage band II** (e.g., 230 V<sub>AC</sub> or 500 V<sub>AC</sub>), i.e., above the **ELV voltage band I** (ELV ≤ 50 V<sub>AC</sub>/120 V<sub>DC</sub>) and if the equipment is not designed as a class II one (double-insulated), **the electrical equipment requires the PE protective earthing connection**; hence, the feeding connector is in turn required to have a PE connection, serving both as equipotential bonding to earth of exposed metal parts of its enclosure, and as PE (protective earth), for carrying the equipment's fault current and keeping contact continuity until the tripping of the upstream-installed protective device.

In such case the connector must be equipped with a PE contact with a connecting capacity which is (see IEC 61984, subclause 6.5.4.1, Table 1, column 2):

line wire size (mm <sup>2</sup> )	PE wire size (mm <sup>2</sup> )
S ≤ 16	same as line
16 < S ≤ 35	16

MIXO connector modules, when used within the ELV (extra-low voltage) **voltage band I** do not require a protective earth contact for the served circuit and equipment; therefore, in such condition, even larger power MIXO modules such as the 70 A module **CX 02 7F /M** or the single-pole 100 A module **CX 01 GF /M** can be employed, both within **MIXO ONE** and **MIXO TWO** enclosures, as there is no need to combine the relevant circuit with a protective earth contact of suitable corresponding wire size.

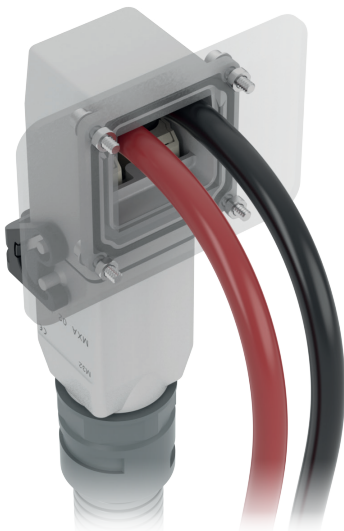
To note that, being metallic, neither MIXO ONE nor MIXO TWO enclosures are deemed to be employed in connectors for class II equipment.

The **PE M4 screw terminal** of the module holding frame of each **MIXO TWO** enclosure accepts:

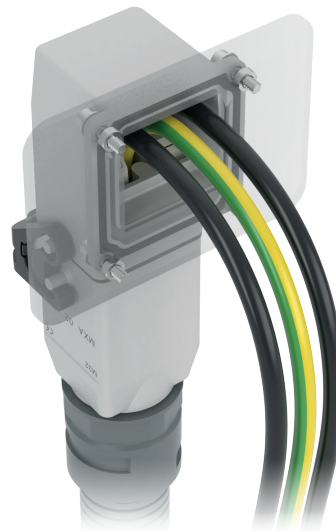
- an unprepared PE conductor up to 10 mm<sup>2</sup> /8 AWG cross-sectional area;
- a ferruled PE conductor prepared with any ferrule crimping tool up to 10 mm<sup>2</sup> /8 AWG cross-sectional area;
- a PE conductor sized 16 mm<sup>2</sup> /6 AWG crimped on the **CGT 16 PE terminal adapter** available for MIXO frames.

Based on the previous table, this allows use of PE conductors sized up to 16 mm<sup>2</sup> /6 AWG, which cover power line sizes up to and including 35 mm<sup>2</sup> /2 AWG. **MIXO 70 A** module **CX 02 7F /M** and **MIXO 100 A** single module **CX 01 GF /M** can therefore be used in **MIXO TWO** enclosures, respectively with **up to size 25 and size 35 contacts** when the corresponding PE line is terminated on the relevant modules holding frame PE terminal with a **CGT 16 PE terminal adapter**.

*The correct choice and implementation of the relevant cable assemblies are in the full responsibility of the designer of the system.*



► Use in **voltage band I** (ELV) e.g. 48 V<sub>DC</sub>



► Use in **voltage band II** (LV) e.g. 500 V<sub>AC</sub>

## FOCUS ON

### MIXO single-sized inserts suitable for use inside MIXO TWO enclosures

Inserts	Contact type	Signal type	Kind of connection	Rated current (A)	Rated voltage (V)	Rated impulse voltage (kV)
⚠ CX 01 GF/M	main	electric	crimp	100	500	6
CX 01 GPEF/M	PE	electric	crimp	—	—	—
⚠ CX 02 7F/M	main	electric	crimp	70	690	6
⚠ CX 02 4AF/M	main	electric	axial screw	40	690	6
⚠ CX 02 4BF/M	main	electric	axial screw	40	690	6
⚠ CX 02 4F/M	main	electric	crimp	40	690	6
CX 03 4F/M	main	electric	crimp	40	400 / 690	6
CX 03 4BF/BM	main	electric	crimp	40	500	6
⚠ CX 3/4 XDF/M	main / auxiliary	electric	crimp	40 / 10	690	6
⚠ CX 04 XF/M	main	electric	crimp	40	690	6
CX 05 SF/M	main	electric	spring	16	400	6
CX 05 SHF/M	main	electric	SQUICH®-spring	16	400	6
CX 06 CF/M	main	electric	crimp	16	500	6
CX 06P CF/M	main	electric	crimp	16	690	6
CX 06 CYF/M	main	electric	AXYR®-spring	16	500	6
CX 08 CYF/M	main	electric	AXYR®-spring	16	400	6
CX 12 DF/M	main / auxiliary	electric	crimp	10	250	4
CX 12 DYF/M	main / auxiliary	electric	AXYR®-spring	10	250	4
CX 17 DF/M	main / auxiliary	electric	crimp	10	160	2,5
CX 01 9VF/M	D-SUB	electric	crimp	5	50	0,8
CX 01 9VTF	D-SUB	electric	screw	5	50	0,8
CX 01 9VF2/M2	D-SUB + shield	electric	crimp	5	50	0,8
CX 08 I6F/M	main + shield	electric	crimp	5	50	0,8
CX 08 I6GF/I6GM	main + shield	electric	crimp	5	50	0,8
CX 25 IBF/M	main / auxiliary	electric	crimp	4	50	0,8
CX 36 IF/M	main / auxiliary	electric	crimp	4	32	0,8
CX 20S IF/M	main / auxiliary + shield	electric	crimp	4	32	0,8
CX 20S IGF/IGM	main / auxiliary + shield	electric	crimp	4	32	0,8
CX 04 RF/M	coaxial	electric	crimp	—	—	0,8
CX 01 J8AIF/BIF/PIF	RJ45 + shield	electric	IDC	1	50	0,8
CX 01 J8F/M/IM	RJ45	electric	crimp / IDC	—	—	0,8
CX 01 J8UM	RJ45	electric	IDC	—	—	0,8
CX 04 LF/M	POF / MOST	optic	crimp	—	—	—
CX 04 SCF/M	SC fibre optic	optic	crimp / glue	—	—	—
CX 03 MP	pneumatic metal Ø 3,0 - 4,0 - 6,0 mm	air	push-in / quick-fitting	—	—	—
CX 03 P	pneumatic plastic Ø 1,6 - 3,0 - 4,0 mm	air	push-in	—	—	—
CX 02 P	pneumatic plastic Ø 6,0 mm	air	push-in	—	—	—
CX FM	none (dummy module)	—	—	—	—	—

⚠ Reduced rated voltage and rated impulse voltage.

# MIXO TWO

## Housings – 1 lever – with gasket

size **2 modules**


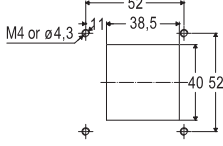
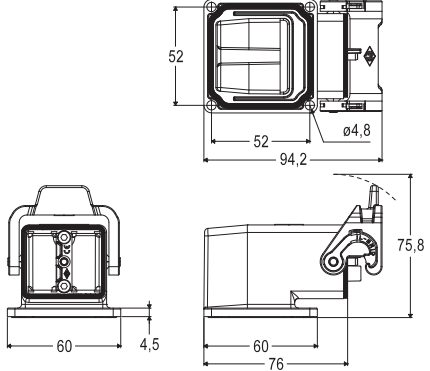

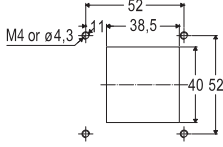
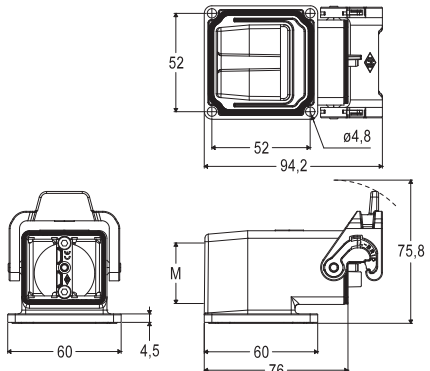

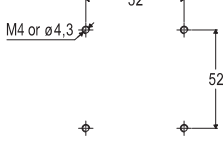
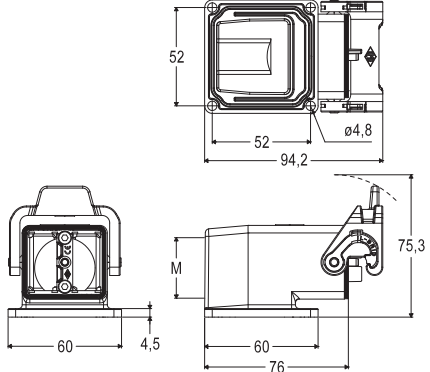
Standard Heavy Duty applications



CQC, DNV, BV pending

cURus pending

EN 60529	IP65
UL 50 / UL 50E	Type 12, 4, 4X
Ambient temperature limits	-40 °C ... +125 °C
Mechanical life	≥ 500 cycles

Item	Description	Part No.	Entry	Dimensions
	<p>Angled metal bulkhead mounting housings, 1 lever and gasket, with <u>open bottom flange</u> with embedded gasket and closed rear</p> <p><b>Panel cut-out</b></p> 	<a href="#">CXA 02 IA</a>		
	<p>Angled metal bulkhead mounting housings, 1 lever and gasket, with <u>open bottom flange</u> with embedded gasket and cable entry</p> <p><b>Panel cut-out</b></p> 	<a href="#">MXA 02 IAP25</a> <a href="#">MXA 02 IAP32</a>	M25 M32	
	<p>Angled metal surface mounting housings, 1 lever and gasket, with <u>closed bottom flange</u> (without gasket) and cable entry</p> <p><b>Panel cut-out</b></p> 	<a href="#">MXA 02 AP25</a> <a href="#">MXA 02 AP32</a>	M25 M32	

INSERTS	Pages
Suitable MIXO modular units	35

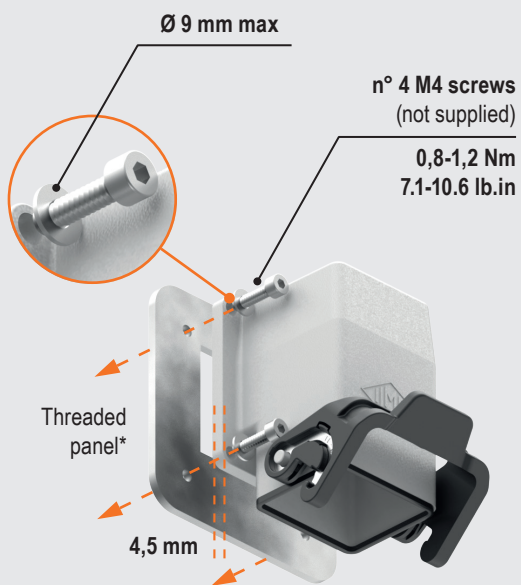


**MIXO TWO Hoods and covers**  
**2 pegs**  
 See News 2023 pages 76-77

# MIXO TWO

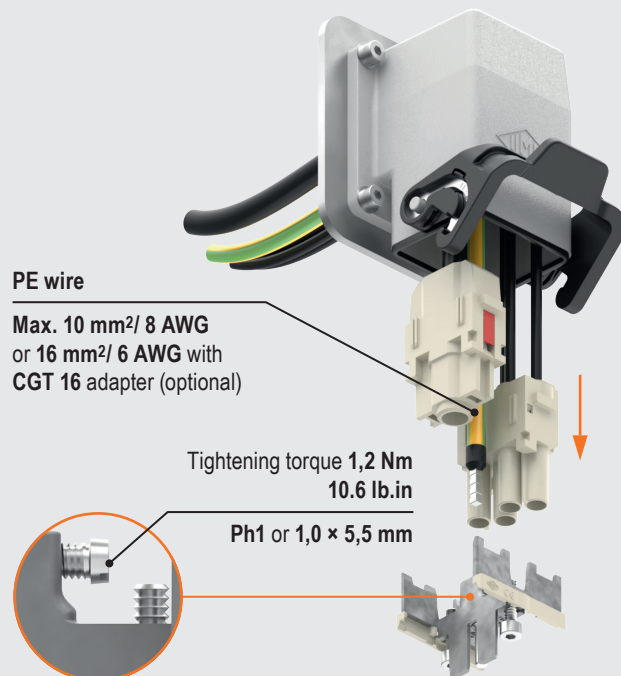
## Assembly instructions

1

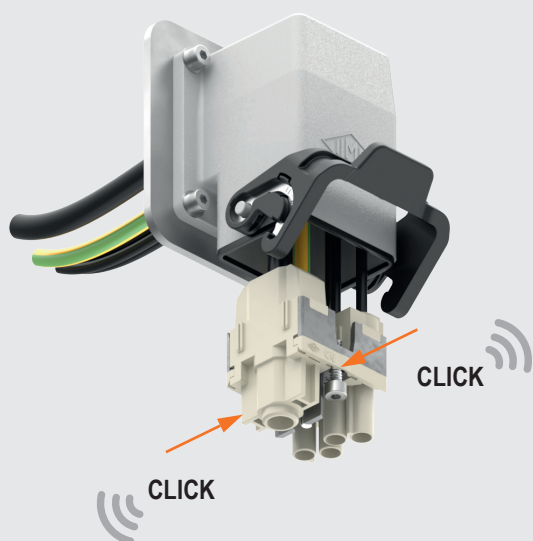


\* or through-holes panel, to be used with n° 4× M4 counternuts (not supplied)

2

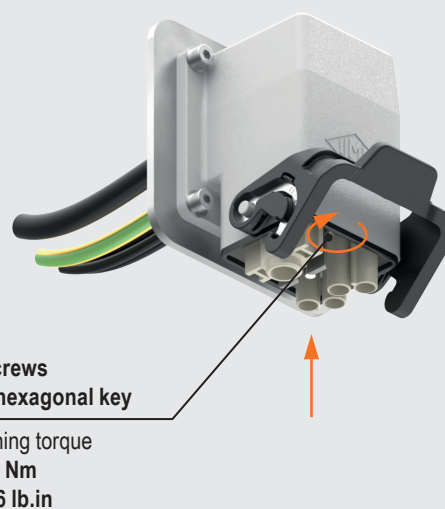


3



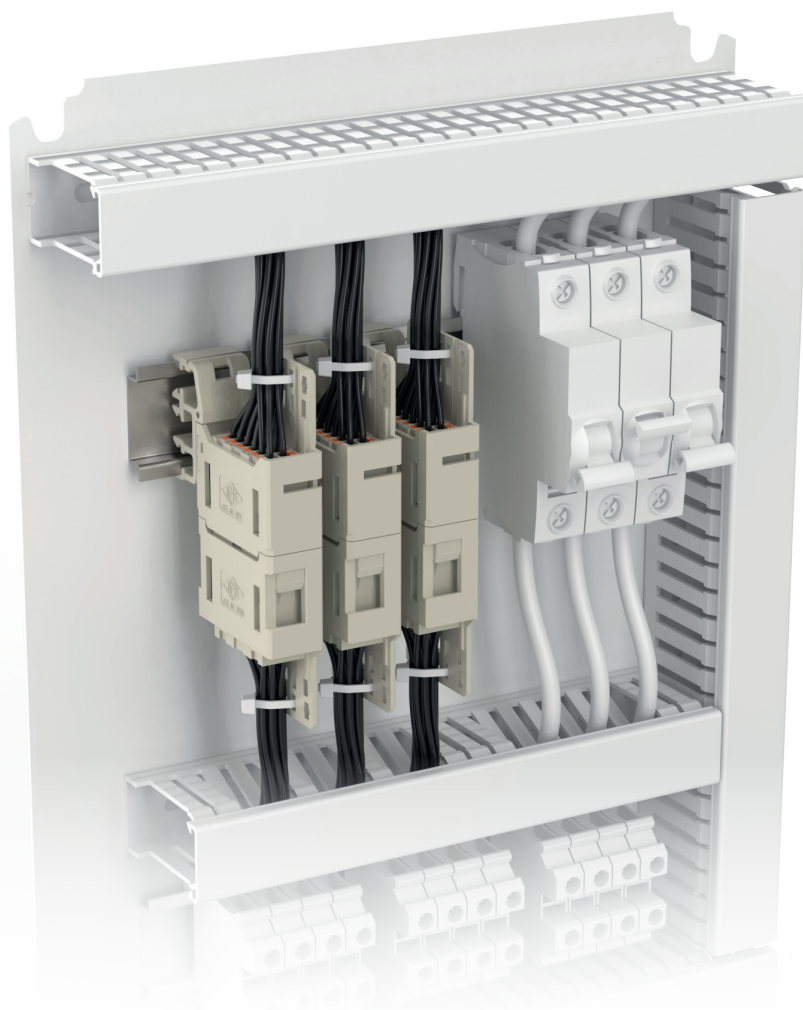
The MIXO modular inserts depicted above are only for demonstration purposes.

4



Insulating holders for 1-slot sized MIXO modules  
with optional adapter for DIN EN 60715 rails

**CX 01 TPF /M, CX APE**



For free or fixed installation  
also side-by-side



Find out more  
[www.ilme.com](http://www.ilme.com)

## TECHNICAL FEATURES

This new insulating MIXO holder for 1-slot sized MIXO modular inserts expands the COB system of insulating panel supports, for direct installation inside electrical distribution and control panels without the traditional metallic enclosures.

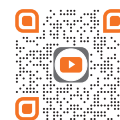
It consists of a **2-part insulating holder with snap-in lateral lockings** between the two parts and **strain relief capability** to be used where needed.

Additionally, each coupling can be coded by fitting each insulating holder part with two **optional coding pins CR Q03/2**, each orientable in 4 positions, which provide **up to 16 different codings** (4 coding pins required per each modular insert connector coupling), useful when multiple identical module couplings are installed side-by-side.

The **CX 01 TPM** part of this holding system is deemed to hold the free MIXO single-slot sized modular connector half, the **CX 01 TPF** part is for the counterpart.

By using this new CX 01 TP insulating holder, single-sized MIXO modules can form a locked connector coupling that can be:

- > free (e.g., inside a cable tray);
- > flat-fixed by 4 screws to the back-plane of a panel.



Watch our  
technical clip

When this "F" part is fitted with the **CX APE optional adapter**, sliding it into the dedicated slot available on either side of this "F" - fixable part (to allow its orientation at will) -, it can be fixed to the EN 60715 rails (not provided) listed below:

- > top-hat rail DIN EN 60715 TH 35-7,5;
- > top-hat rail DIN EN 60715 TH 35-15;
- > G-rail DIN EN 60715 G 32;
- > C-rail DIN EN 60715 C 30.

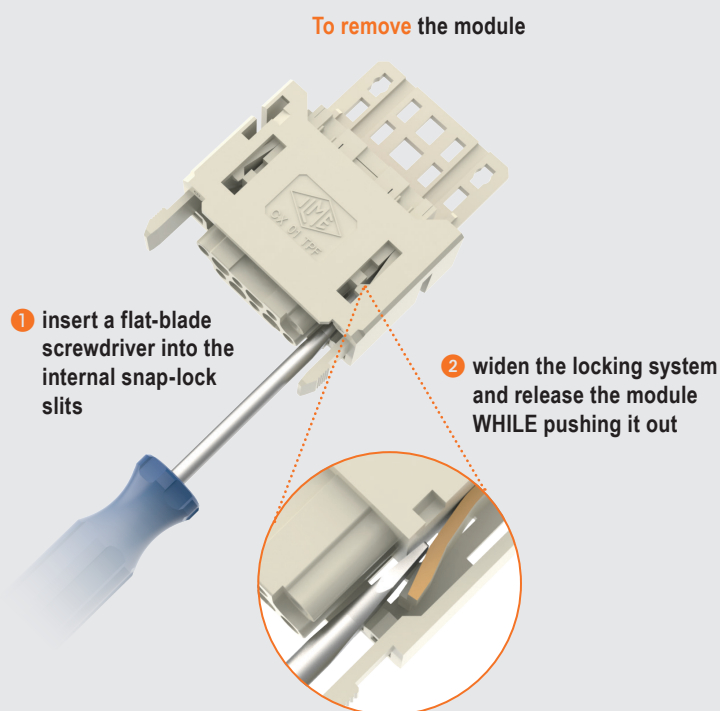
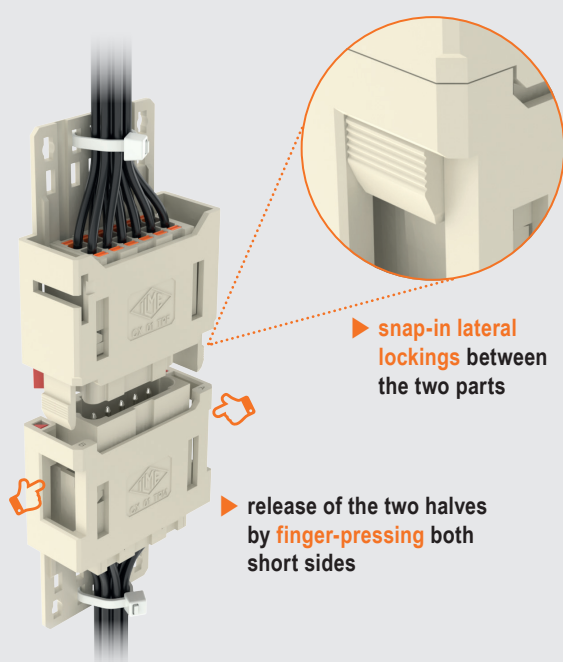
**CX 01 TPF, CX 01 TPM** holders are made of self-extinguishing thermoplastic insulating material, pebble grey RAL 7032.

These holders keep the two connector halves mated by a **double snap-in locking**, which can easily be released by finger pressing both short sides while unplugging the free connector half.

The coupling realized with these holders provides IPXXB degree of protection according to EN 60529.

### MARKINGS AND APPROVALS

- **CE** and **UKCA** markings not applicable, EAC not applicable
- cURus (ECBT2/ECBT8) pending
- CQC, DNV, BV (as accessories) pending
- **RoHS**: compliant



# CX 01 TP – CX APE

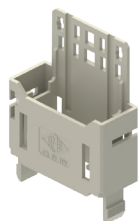
insulating MIXO holder and adapter for DIN rails

EN 60529 rating	IP2X (IPXXB)
UL 50 / UL 50E	—
Ambient temperature limit	-40 °C ... +125 °C
Mechanical life when fitted with MIXO modules employing	≥ 500 cycles

CQC, DNV, BV pending

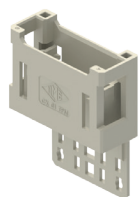
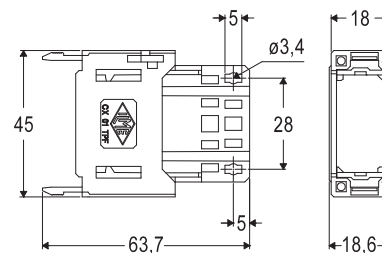
cURus pending

Item	Description	Part No.	Dimensions
------	-------------	----------	------------



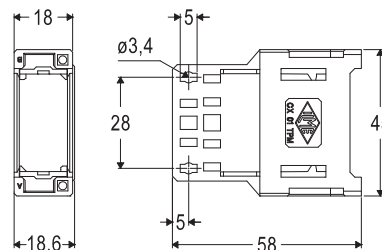
Insulating fixed holder for 1-slot sized MIXO modules

[CX 01 TPF](#)



Insulating free holder for 1-slot sized MIXO modules

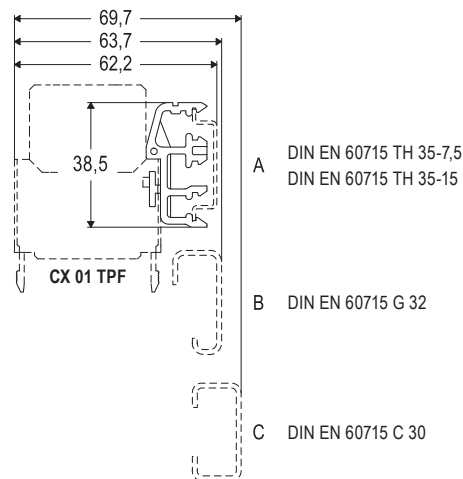
[CX 01 TPM](#)



Adapter for attachment to DIN EN 60715 rails

[CX APE](#)

To be used with CX 01 TPF insulating fixed holder



**Materials**

Holder	polycarbonate (PC)
UL 94 flammability class	V-0
Colour	RAL 7032

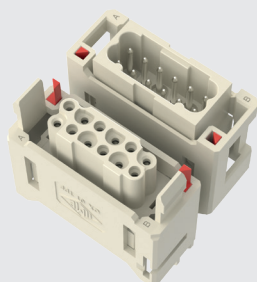
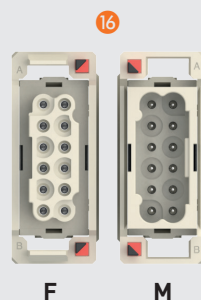
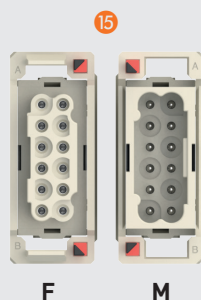
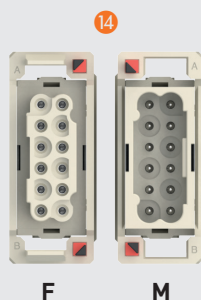
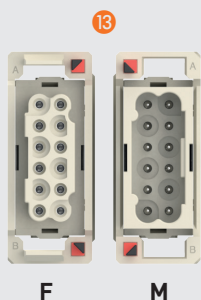
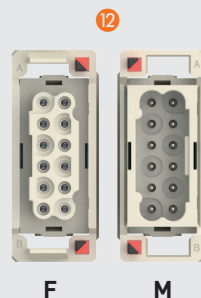
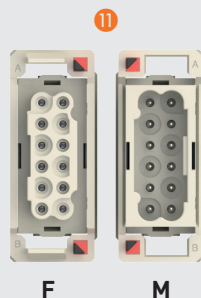
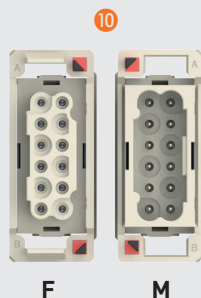
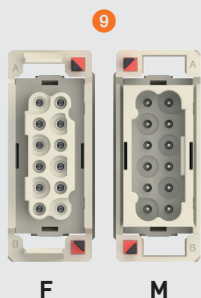
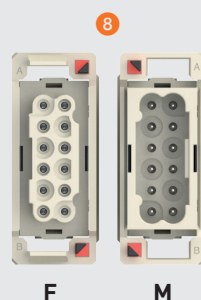
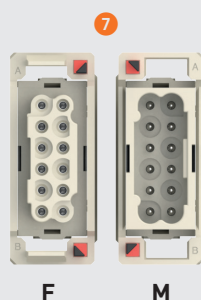
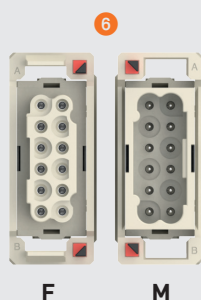
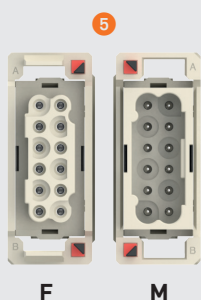
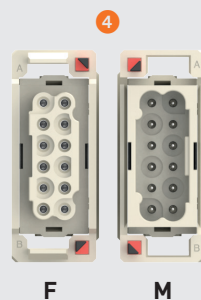
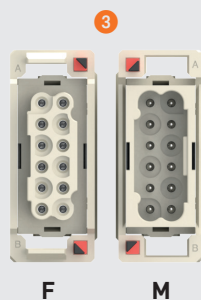
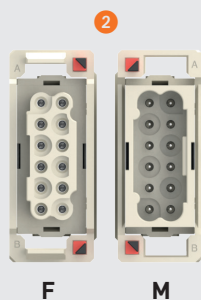
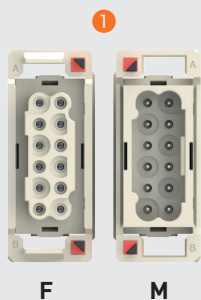


CR Q03/2 Coding pin  
See News 2020, page 17



# CR Q03/2

## Coding options

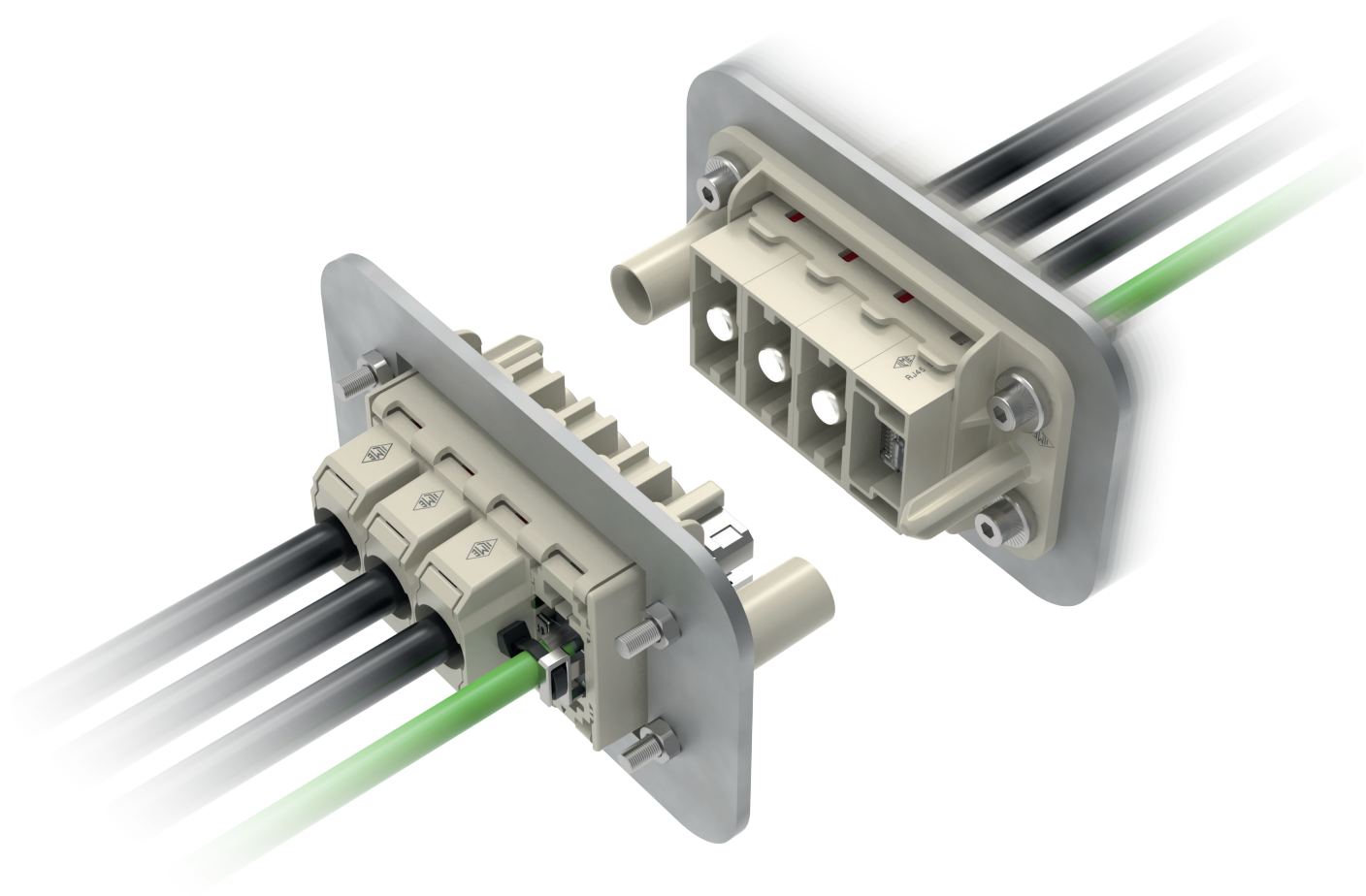


► Up to 16 different codings option  
(4 coding pins per each connector  
coupling)

MIXO thermoplastic docking frames

**CX 02 PDF /M, CX 03 PDF /M**

**CX 04 PDF /M, CX 06 PDF /M**



**Insulating docking frames for drawer systems  
blind-mating connections of MIXO complete  
multi-module inserts (monoblocs)**



Find out more  
[www.ilme.com](http://www.ilme.com)

## TECHNICAL FEATURES



Watch our  
technical clip

The new set of docking frames, made by thermoplastic insulating material, covers the four traditional sizes of connectors 44.27, 57.27, 77.27 and 104.27, respectively for 2-slot, 3-slot, 4-slot and 6-slot **direct installation** (no metal frame required) of MIXO modular connector inserts (either 1-slot-, 2-slot-, 3-slot sized) up to the available number of slots.

These frames are the perfect solution for **drawer systems blind-mating connections**. Thanks to the wide portfolio of MIXO compatible modules, the system is highly flexible.

Q Direct panel mounting (both on the fixed side and the floating side of the coupling) without hoods and housings, they replace also the traditional MIXO metal frames.

Q The leading centring system, provided by the two lateral pin and socket guides, compensates for tolerances of  $\pm 2$  mm both in x and y axes.

A simple and economic solution of providing a self-centring docking frame for drawer-like connections without need for traditional metal MIXO holding frames (CN.19 page 317) and the self-centring floating frame **CR xx DF** (CN.19 page 682).

MIXO docking frames have no PE contacts, as there are many equipment internal wiring applications where the PE wire is not required (class II), in addition to all extra-low voltage (ELV) applications, e.g., removable battery pack connections.

In case a PE connection is required by the downstream user equipment, the **new MIXO PE single-sized module CX 01 GPEF /M** (page 30) can be included in these thermoplastic docking frames.

Each of the four sizes of these new docking frames is available for **fixed-mount** connector – suffix PDF – and for **float-mount** connector – suffix PDM – (both required to provide a coupling).<sup>1</sup>

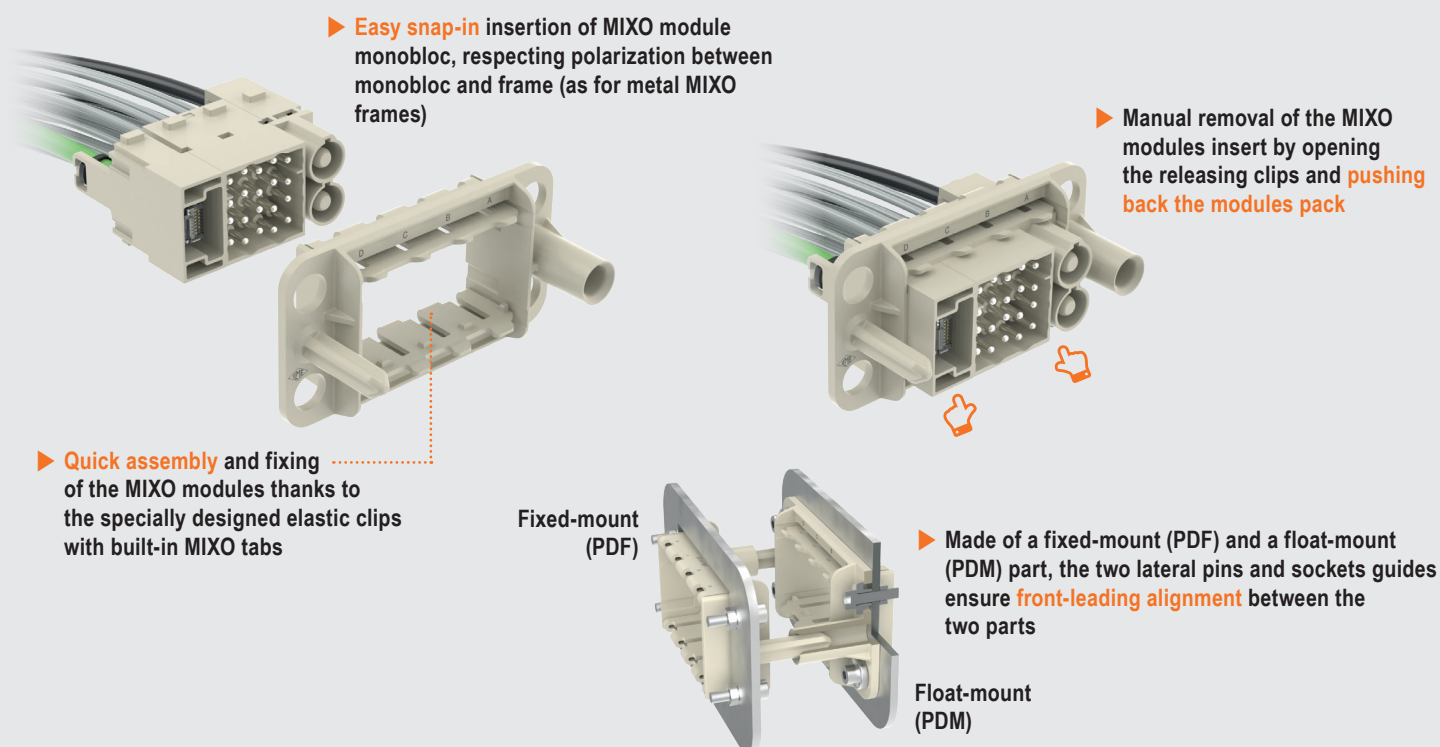
The float-mount parts (suffix PDM) are already equipped with 4 float washers, enabling the frame to be float-mounted using standard M4 fixing screws.

- > Only one position of snap-in insertion of the MIXO monobloc allowed by mutual polarizing means (as in MIXO metal frames)
- > Limiting temperatures:  $-40$  °C ...  $+125$  °C
- > Mating cycles with standard components:  $\geq 500$
- > Mating cycles with **HNM** components:  $\geq 10\ 000$
- > Degree of protection according to IEC 60529: IP20 (IPXXB)
- > Lock-in range:  $\pm 2$  mm
- > Material (frames): polycarbonate
- > Material flammability class according to UL 94: 94 V-0

### MARKINGS AND APPROVALS

- **CE** and **UKCA** markings not applicable, EAC not applicable
- cURus (ECBT2/ECBT8) pending
- CQC, DNV, BV (as accessories) pending
- **RoHS**: compliant

<sup>1</sup> Deciding on which part of the drawer system – back of the drawer box or back panel of the cabinet – to install the fixed-mount (PDF) or the float-mount (PDM) frame for the relevant connector part, is up to the designer of the application.



# CX 02 PD

## thermoplastic docking frames

# 2-slot sized

EN 60529 rating	IP2X (IPXXB)
UL 50 / UL 50E	—
Ambient temperature limit	-40 °C ... +125 °C
Mechanical life when fitted with MIXO modules employing:	
- standard contacts	≥ 500 cycles
- HNM contacts	≥ 10.000 cycles

CQC, DNV, BV pending

cURus pending

Item	Description	Part No.	Dimensions
------	-------------	----------	------------

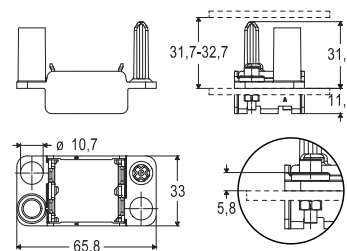


Float-mount thermoplastic insulating docking frame for 2 modular units

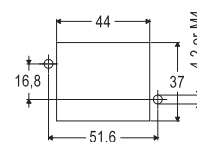
[CX 02 PDM](#)

\* supplied with 2× floating washers to enable the frame to be float-mounted using standard M4 fixing screws (not supplied)

The leading centring system compensates for tolerances of ± 2 mm both in x and y axes.

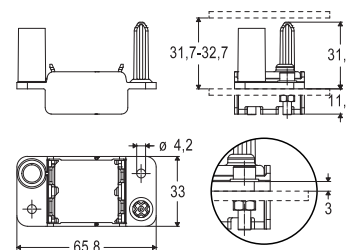


Panel cut-out

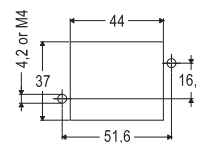


Fixed-mount thermoplastic insulating docking frame for 2 modular units

[CX 02 PDF](#)



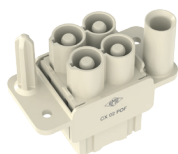
Panel cut-out



### Materials

Frame	polycarbonate (PC)
UL 94 flammability class	V-0
Colour	pebble grey, RAL 7032

Q The MIXO modules are inserted into the 2-slot frame **rotated 90° anticlockwise** compared to the 3-slot, 4-slot and 6-slot sized versions



# CX 03 PD

## thermoplastic docking frames

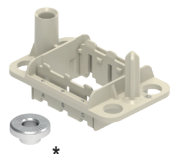
# 3-slot sized

EN 60529 rating	IP2X (IPXXB)
UL 50 / UL 50E	—
Ambient temperature limit	-40 °C ... +125 °C
Mechanical life when fitted with MIXO modules employing:	
- standard contacts	≥ 500 cycles
- HNM contacts	≥ 10.000 cycles

CQC, DNV, BV pending

cURus pending

Item	Description	Part No.	Dimensions
------	-------------	----------	------------

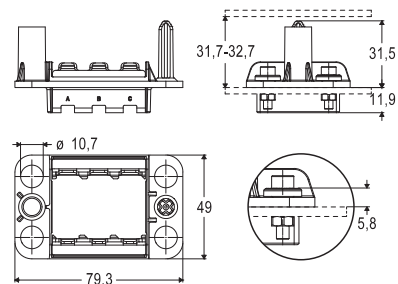


Float-mount thermoplastic insulating docking frame for 3 modular units

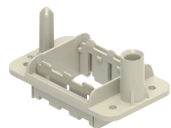
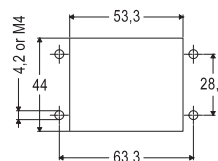
[CX 03 PDM](#)

\* supplied with 4× floating washers to enable the frame to be float-mounted using standard M4 fixing screws (not supplied)

The leading centring system compensates for tolerances of ± 2 mm both in x and y axes.

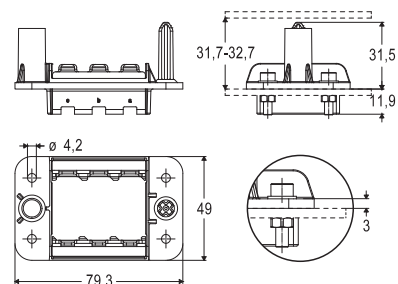


Panel cut-out

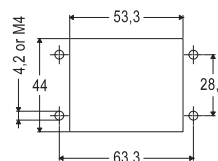


Fixed-mount thermoplastic insulating docking frame for 3 modular units

[CX 03 PDF](#)



Panel cut-out



### Materials

Frame	polycarbonate (PC)
UL 94 flammability class	V-0
Colour	pebble grey, RAL 7032

# CX 04 PD

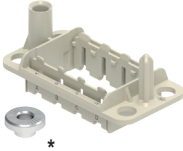
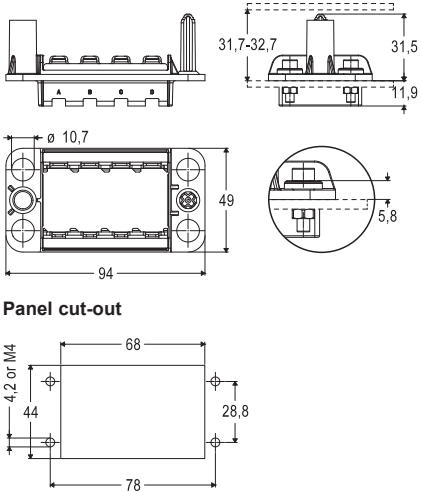
## thermoplastic docking frames

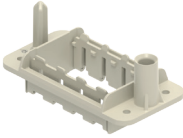
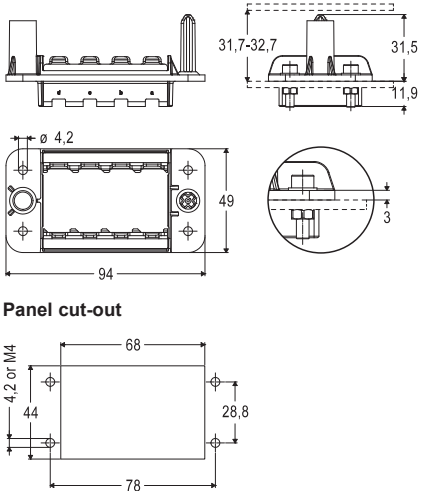
# 4-slot sized

EN 60529 rating	IP2X (IPXXB)
UL 50 / UL 50E	—
Ambient temperature limit	-40 °C ... +125 °C
Mechanical life when fitted with MIXO modules employing:	
- standard contacts	≥ 500 cycles
- HNM contacts	≥ 10.000 cycles

CQC, DNV, BV pending

cURus pending

Item	Description	Part No.	Dimensions
	<p>Float-mount thermoplastic insulating docking frame for 4 modular units</p> <p>* supplied with 4× floating washers to enable the frame to be float-mounted using standard M4 fixing screws (not supplied)</p> <p>The leading centring system compensates for tolerances of ± 2 mm both in x and y axes.</p>	<p><a href="#">CX 04 PDM</a></p>	

	<p>Fixed-mount thermoplastic insulating docking frame for 4 modular units</p>	<p><a href="#">CX 04 PDF</a></p>	
--	---	----------------------------------	---

### Materials

Frame	polycarbonate (PC)
UL 94 flammability class	V-0
Colour	pebble grey, RAL 7032

# CX 06 PD

## thermoplastic docking frames

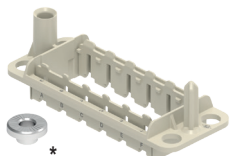
# 6-slot sized

EN 60529 rating	IP2X (IPXXB)
UL 50 / UL 50E	—
Ambient temperature limit	-40 °C ... +125 °C
Mechanical life when fitted with MIXO modules employing:	
- standard contacts	≥ 500 cycles
- HNM contacts	≥ 10.000 cycles

CQC, DNV, BV pending

cURus pending

Item	Description	Part No.	Dimensions
------	-------------	----------	------------

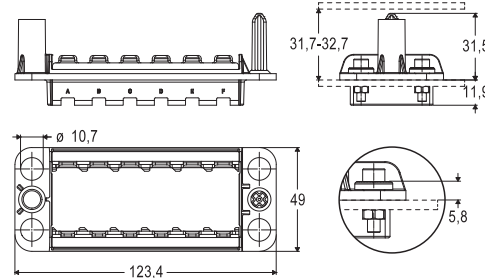


Float-mount thermoplastic insulating docking frame for 6 modular units

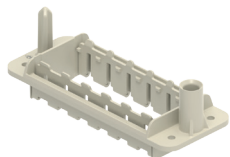
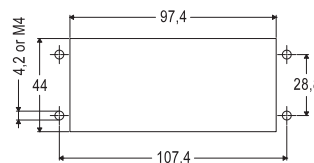
\* supplied with 4× floating washers to enable the frame to be float-mounted using standard M4 fixing screws (not supplied)

The leading centring system compensates for tolerances of ± 2 mm both in x and y axes.

[CX 06 PDM](#)

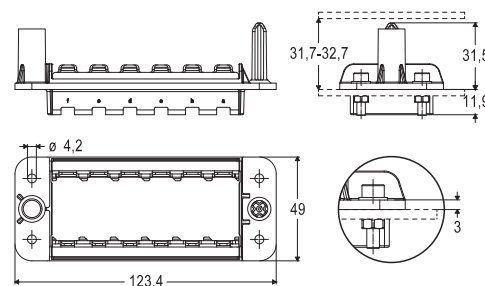


Panel cut-out

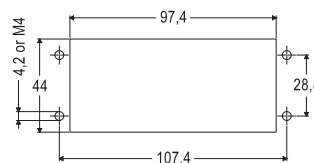


Fixed-mount thermoplastic insulating docking frame for 6 modular units

[CX 06 PDF](#)



Panel cut-out



### Materials

Frame	polycarbonate (PC)
UL 94 flammability class	V-0
Colour	pebble grey, RAL 7032

# CX..PDM

## Float-mount docking frame assembly instructions

### MIXO multi-module insertion

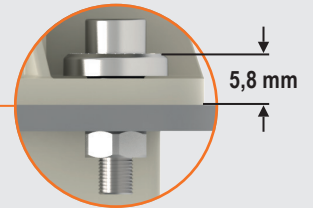
1

n° 4 floating washers  
(included)

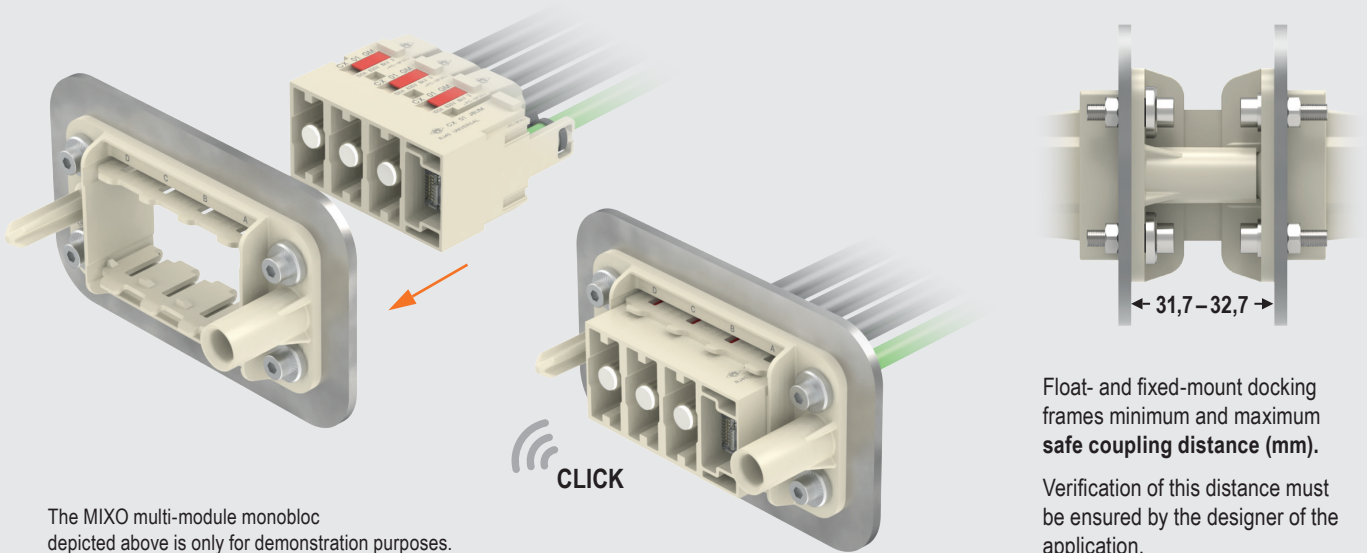
n° 4 M4 screws  
(not supplied)  
0,8-1,2 Nm  
7.1-10.6 lb.in

n° 4 counternuts  
(not supplied)

Mounting thickness reference  
for screws dimensioning



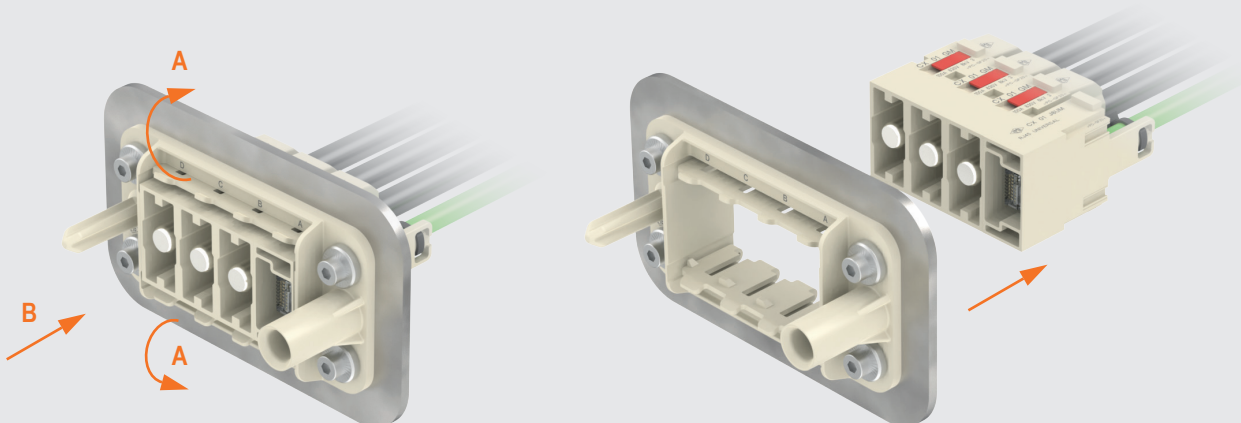
2



The MIXO multi-module monobloc depicted above is only for demonstration purposes.

Float- and fixed-mount docking frames minimum and maximum safe coupling distance (mm).  
Verification of this distance must be ensured by the designer of the application.

### MIXO multi-module removal



Deciding on which part of the drawer system to install the fixed- or the float-mount frame for the relevant connector part, is up to the the designer of the application.



# CX..PDF

## Fixed-mount docking frame assembly instructions

### MIXO multi-module insertion

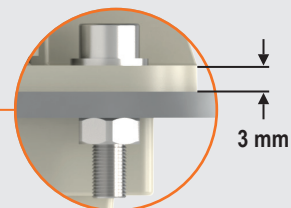
1

n° 4 flat washers (not supplied)  
Ø 12 mm max

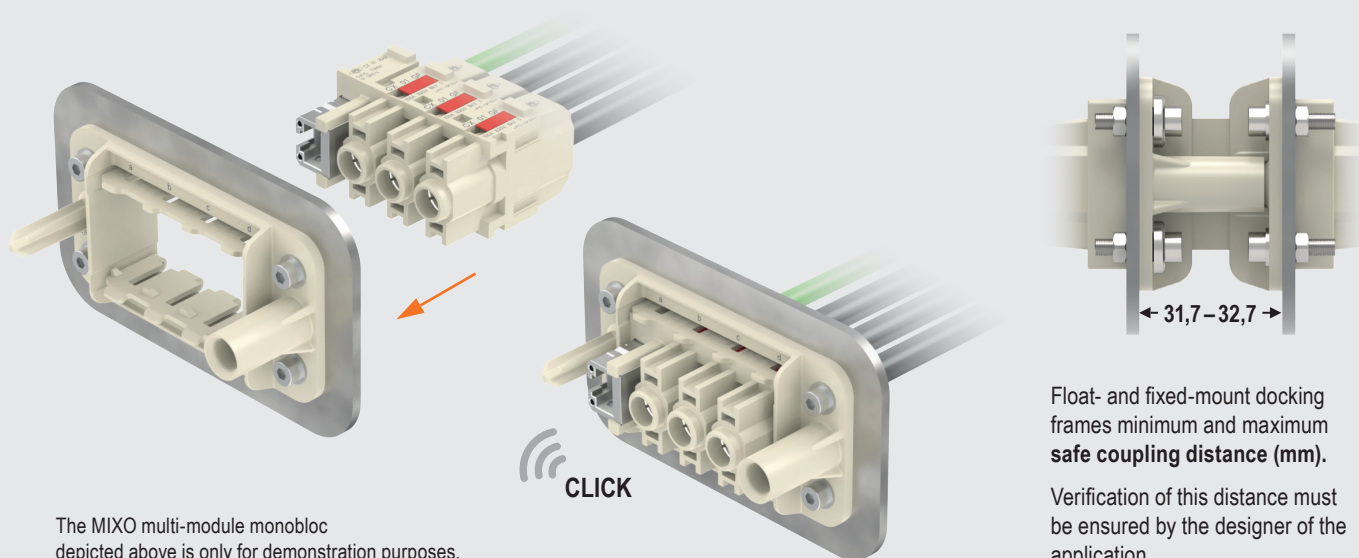
n° 4 M4 screws  
(not supplied)  
0,8-1,2 Nm  
7.1-10.6 lb.in

n° 4 counternuts  
(not supplied)

Mounting thickness reference  
for screws dimensioning



2

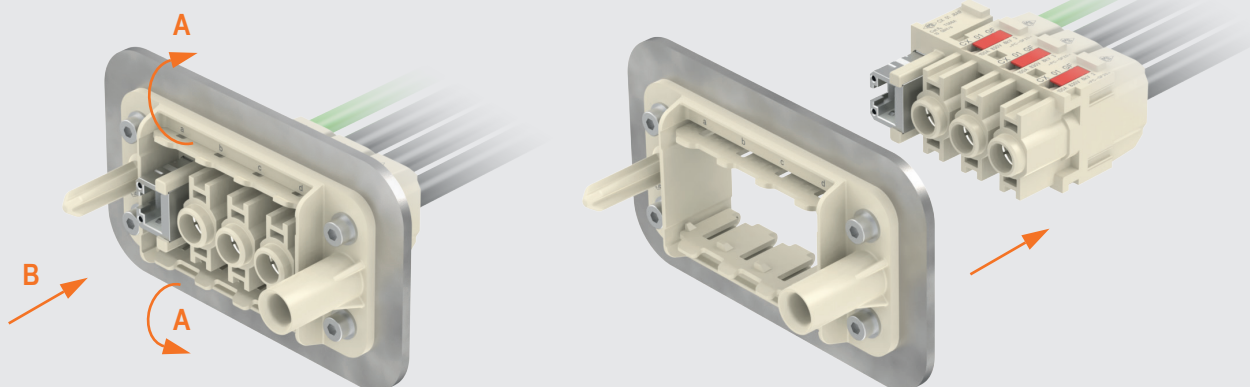


The MIXO multi-module monobloc depicted above is only for demonstration purposes.

Float- and fixed-mount docking frames minimum and maximum safe coupling distance (mm).

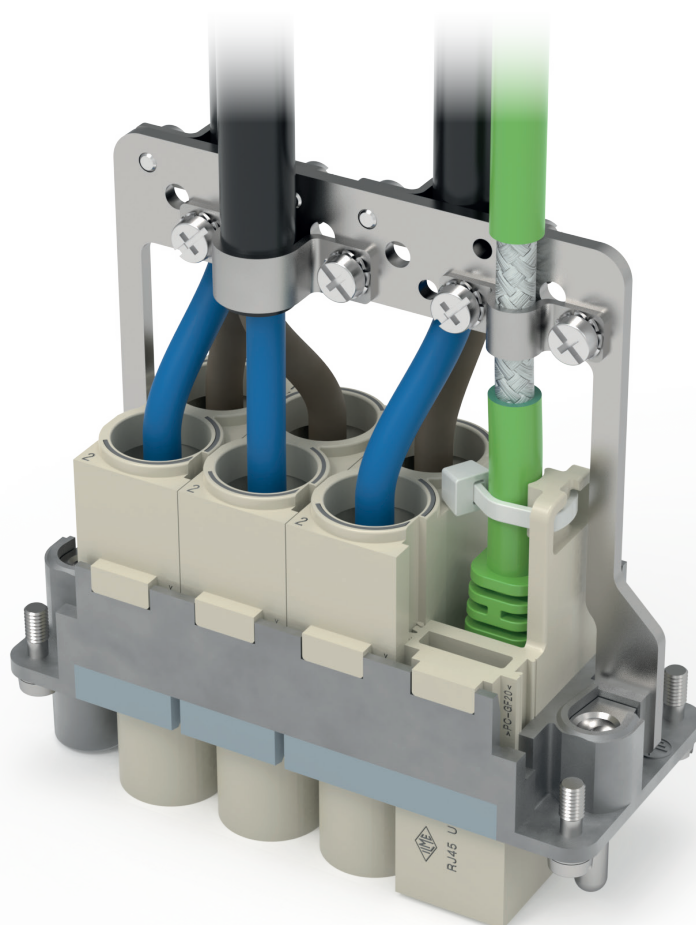
Verification of this distance must be ensured by the designer of the application.

### MIXO multi-module removal



Deciding on which part of the drawer system to install the fixed- or the float-mount frame for the relevant connector part, is up to the the designer of the application.

## CR shield earthing anchorages, high construction CR..STA



**Anchorage for multiple cable shield earthing and/or multiple PE wiring on MIXO frames, suitable in combination with higher MIXO modules**



Find out more  
[www.ilme.com](http://www.ilme.com)

## TECHNICAL FEATURES

The offer of **CR shield earthing anchorages** (see CN.19, pages 678-681) for MIXO frames and relevant modular connector inserts, particularly the current models **CR..ST**, is widened with these new models with high construction **CR..STA**.

Besides their increased height (by 17,4 mm, from 29,5 mm of CR..ST to 46,9 mm measured from the axis of the fixing screws and the bottom side of the transverse), **CR..STA** shield earthing anchorages, compared with CR..ST models, are also provided with **M4-threaded holes** for screw-connection of correspondingly sized eyelet or fork PE terminals, thanks also to a height of the transverse bar increased by 2 mm (14 mm vs 12 mm).

Anchorage **CR..ST** are designed for installation on the MIXO frames for modular connector inserts. The increased height of these new **CR..STA** variants allows use in combination with those modular inserts that by design protrude more than others on the rear (wiring face) for the equipotential bonding to PE and the concurrent mechanical clamping of the screening braid of screened cables.

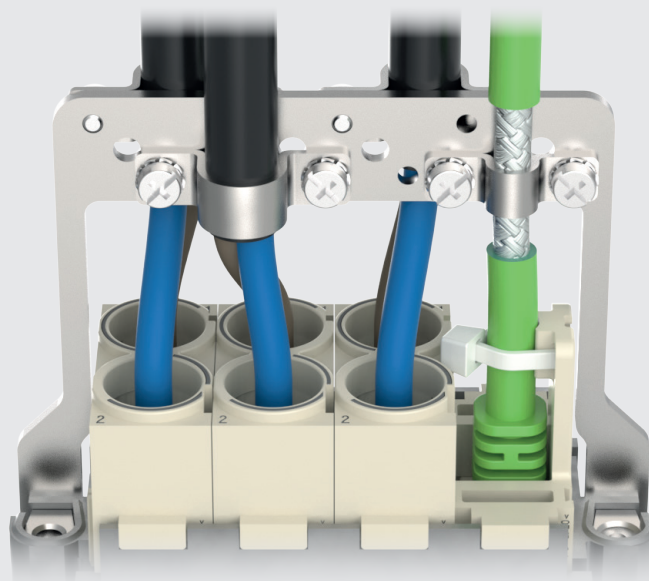
These new **CR..STA high construction shield earthing anchorages** are made of zinc plated steel.

These anchorages, that employ clamps for cables Ø 5 mm screen diameter **CR 05 CA** and Ø 10 mm screen diameter **CR 10 CA** (to be provided optionally according to need), depending on their size, allow the clamping of the following number of cables with the relevant clamps, using M3 screws, or M4 eyelet or fork PE terminal (screws and terminals not provided):

part No.	CR 05 CA	CR 10 CA	M4 eyelet or fork PE terminal
CR 06 STA	2	2	2
CR 10 STA	2	2	3
CR 16 STA	4	4	4
CR 24 STA	6	6	6

☑ NOTE – The quantity of CR 05 CA, CR 10 CA and M4 eyelet or fork PE terminals that each anchorage can use are alternative, either clamps or M4 terminals can be used, and the overall number of clamps is always that of each type (respectively 2, 4, or 6 overall).


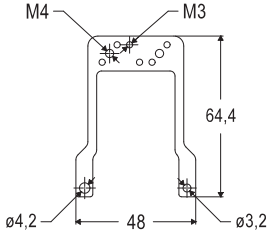

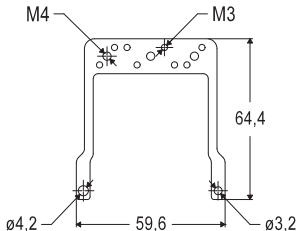

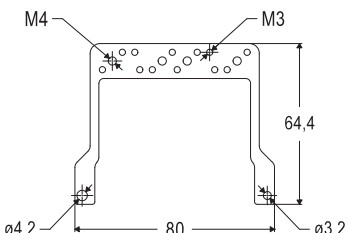

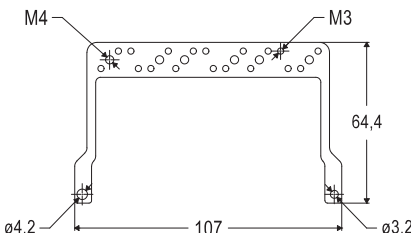
- ▶ Can be used as a clamp for cables with overall diameter between Ø 5-10 mm (using the **CR..CA** clamps, not included)
- ▶ Can be used as a connection for equipotential bonding or shielding



# CR..STA

## shield earthing anchorages

size **44.27 – 104.27**


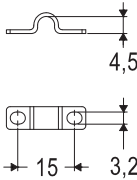

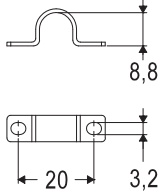
Item	Description	Part No.	Dimensions
	Shield earthing anchorages, <b>high construction</b> , for shielded cables, to be mounted in 44.27 enclosures and 2-slots sized MIXO frames  To be mounted on MIXO frames in bulkhead mounting housings, COB series enclosures and high construction hoods with top entry	<a href="#">CR 06 STA</a>	
	Shield earthing anchorages, <b>high construction</b> , for shielded cables, to be mounted in 57.27 enclosures and 3-slots sized MIXO frames  To be mounted on MIXO frames in bulkhead mounting housings, COB series enclosures and high construction hoods with top entry	<a href="#">CR 10 STA</a>	
	Shield earthing anchorages, <b>high construction</b> , for shielded cables, to be mounted in 77.27, 77.62 enclosures and 4-slots sized MIXO frames  To be mounted on MIXO frames in bulkhead mounting housings, COB series enclosures and high construction hoods with top entry	<a href="#">CR 16 STA</a>	
	Shield earthing anchorages, <b>high construction</b> , for shielded cables, to be mounted in 104.27, 104.62 enclosures and 6-slots sized MIXO frames  To be mounted on MIXO frames in bulkhead mounting housings, COB series enclosures and high construction hoods with top entry	<a href="#">CR 24 STA</a>	

**Materials**  
Anchorage zinc-plated steel

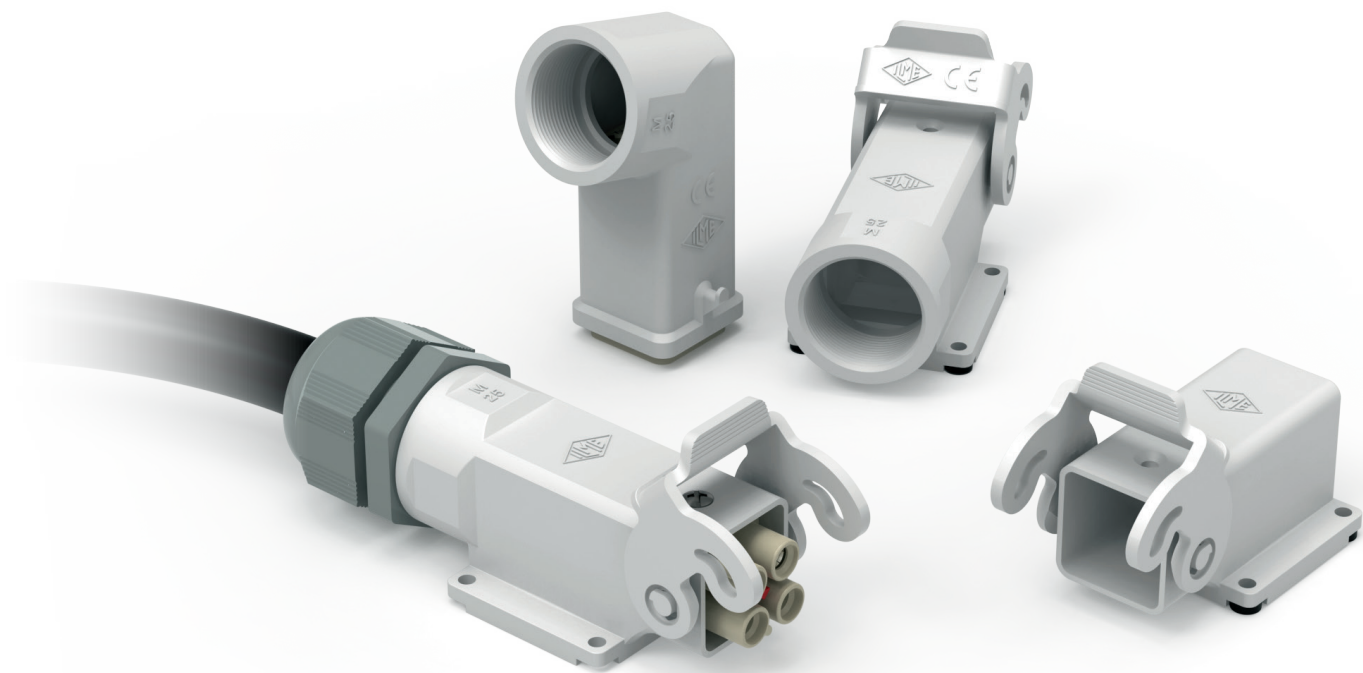
ACCESSORIES	Pages
Frames for modular units	CN.19 317

# CR..CA

## clamps for cables

Item	Description	Part No.	Dimensions
	<p>Clamp for Ø 5 mm shielded cables</p> <p>To be mounted in CR..ST and CR..STA earthing terminals.</p> <p>The diameter to consider is that of the cable shield (screen), not the outer overall one.</p>	<a href="#">CR 05 CA</a>	
	<p>Clamp for Ø 10 mm shielded cables</p> <p>To be mounted in CR..ST and CR..STA earthing terminals.</p> <p>The diameter to consider is that of the cable shield (screen), not the outer overall one.</p>	<a href="#">CR 10 CA</a>	

## Size 21.21 angled entry insulating housings and hoods CK..IA4, MK..AP25/ IAP25 and MK VA25



Light and space-saving enclosures  
for standard environments



Find out more  
[www.ilme.com](http://www.ilme.com)

## TECHNICAL FEATURES

The already wide range of **size 21.21 insulating hoods and housings** is further extended, to be used with connector inserts demanding **larger wire size** (power connector inserts) or **larger wire bundle diameter** (for high pole-number signal inserts), by the introduction of these **new M25-sized angled cable entry versions**. These new enclosures match the already existing metallic versions with same fit and function, to allow a **lighter installation**, where suitable.

- Q The **new M25 angled** (horizontal cable entry) **insulating hoods** are likely to mate with (straight) bulkhead mounting housings.
- Q The **new angled insulating surface mounting or bulkhead mounting housings** are likely to mate with straight (vertical cable entry) M25 hoods.

Main features of the bulkhead and the surface-mounting housings:

- > **4-screw square flange** for the mounting on the panel wall, in view of the foreseeable higher load of the attached free connector due to the larger wiring allowed;
- > equipped with the **standard insulating locking lever**, or – as a special version, letter X in their part No. – **stainless-steel resilient locking lever with rolls**;
- > enclosures with stainless-steel lever is available only in light grey RAL 7035 colour, while those with insulating lever are available both in grey and in RAL 9005 jet black colour (letter N in the suffix of part No.);

- > insulating locking lever in self-extinguishing thermoplastic material, same colour of the housing;
- > angled housings with incorporated flange gasket in anti-aging, oil-resistant, grease-resistant and fuel-resistant thermoplastic elastomer;
- > hoods **MKG VA25**, light grey colour and **MKG VAN25**, black colour, with glued gasket in anti-aging, oil-resistant, grease-resistant and fuel-resistant thermoplastic elastomer;
- > suitable for use either indoor or outdoor;
- > degree of protection according to EN 60529: IP44, IP66/IP67/IP69 with **CKR 65** fixing screw and gasket kit (separately available) and suitably IP rated cable outlet device.

### MARKINGS AND APPROVALS

- **CE** and **UKCA** markings, EAC not applicable
- cURus (ECBT2/ECBT8) pending
- Type 12, Type 4 and 4X when using CKR 65 kit
- CQC, DNV and BV (as accessories) pending
- **RoHS**: compliant



# 21.21 Enclosures – Standard insulating

size **21.21**

Housings – 1 lever – fixing by 4 screws


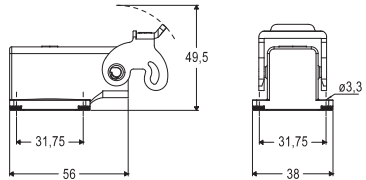

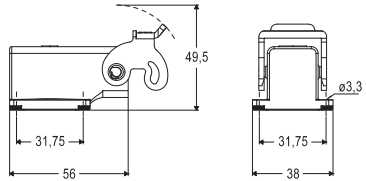

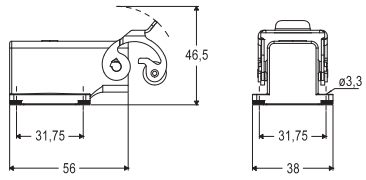
Standard Heavy Duty  
applications

EN 60529 - with standard fixing screw	IP44
With <b>CKR 65</b> gasket and screw kit	<b>IP66/IP67/IP69</b>
UL 50 / UL 50E - with standard fixing screw	Type 12
With <b>CKR 65</b> gasket and screw kit	Type 4/4X
Ambient temperature limits	-40 °C..+125 °C
Mechanical life	≥ 500 cycles

CE UK  
CA

CQC, DNV, BV pending

cURus pending

Item	Description	Part No.	Dimensions
	Angled insulating bulkhead mounting housing, with embedded flange gasket 1 lever, fixing by 4 screws  light grey colour, RAL 7035	<a href="#">CK 03 IA4</a>	
	Angled insulating bulkhead mounting housing, with embedded flange gasket, 1 lever, fixing by 4 screws  jet black colour, RAL 9005	<a href="#">CK 03 IA4N</a>	
	Angled insulating bulkhead mounting housing, with embedded flange gasket, 1 stainless steel lever, fixing by 4 screws  light grey colour, RAL 7035	<a href="#">CKX 03 IA4</a>	

COMPACT 21.21 INSERTS		Pages
CK	CN.19	58
CKSH	CN.19	63
CD	CN.19	66-67
CDY 07 – CDY 08		18-19
CQ4	CN.19	182-184
CQ4 03/2	News 2020	16
CQ	CN.19	186-190
CQY 05	News 2022	19



**Size 21.21 Insulating hoods and cover**  
**2 pegs**  
 See page 59 and CN.19 pages 340-341



# 21.21 Enclosures – Standard insulating

size **21.21**

Housings – 1 lever – fixing by 4 screws

Standard Heavy Duty applications


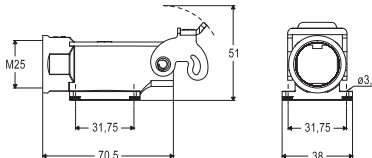

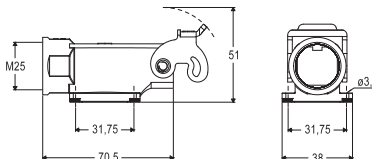

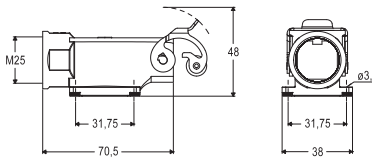


EN 60529 - with standard fixing screw	IP44
With <b>CKR 65</b> gasket and screw kit	<b>IP66/IP67/IP69</b>
UL 50 / UL 50E - with standard fixing screw	Type 12
With <b>CKR 65</b> gasket and screw kit	Type 4/4X
Ambient temperature limits	-40 °C..+125 °C
Mechanical life	≥ 500 cycles



CQC, DNV, BV pending

cURus pending

Item	Description	Part No.	Entry	Dimensions
	Angled insulating bulkhead mounting housing, 1 lever, with <b>open bottom flange</b> , with embedded gasket, M25 cable entry, fixing by 4 screws  light grey colour, RAL 7035	<a href="#">MK IAP25</a>	M25	
	Angled insulating bulkhead mounting housing, 1 lever, with <b>open bottom flange</b> , with embedded gasket, M25 cable entry, fixing by 4 screws  jet black colour, RAL 9005	<a href="#">MK IAPN25</a>	M25	
	Angled insulating bulkhead mounting housing, 1 stainless steel lever, with <b>open bottom flange</b> , with embedded gasket, M25 cable entry, fixing by 4 screws  light grey colour, RAL 7035	<a href="#">MKX IAP25</a>	M25	

COMPACT 21.21 INSERTS		Pages
CK	CN.19	58
CKSH	CN.19	63
CD	CN.19	66-67
CDY 07 – CDY 08		18-19
CQ4	CN.19	182-184
CQ4 03/2	News 2020	16
CQ	CN.19	186-190
CQY 05	News 2022	19



**Size 21.21 Insulating hoods and cover**  
**2 pegs**  
 See page 59 and CN.19 pages 340-341

# 21.21 Enclosures – Standard insulating

size **21.21**

Housings – 1 lever – fixing by 4 screws


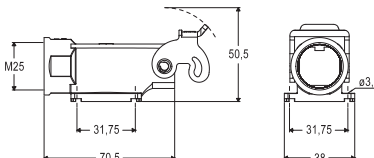

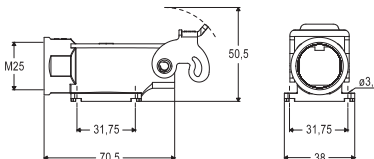
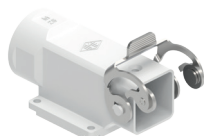
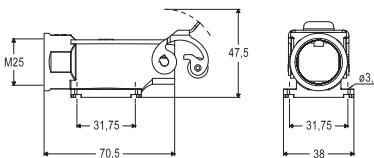
Standard Heavy Duty  
applications

EN 60529 - with standard fixing screw	IP44
With <b>CKR 65</b> gasket and screw kit	<b>IP66/IP67/IP69</b>
UL 50 / UL 50E - with standard fixing screw	Type 12
With <b>CKR 65</b> gasket and screw kit	Type 4/4X
Ambient temperature limits	-40 °C..+125 °C
Mechanical life	≥ 500 cycles

CE UK  
CA

CQC, DNV, BV pending

cURus pending

Item	Description	Part No.	Entry	Dimensions
	Angled insulating surface mounting housing, 1 lever, with <b>closed bottom flange</b> , M25 cable entry, fixing by 4 screws  light grey colour, RAL 7035	<a href="#">MK AP25</a>	M25	
	Angled insulating surface mounting housing, 1 lever, with <b>closed bottom flange</b> , M25 cable entry, fixing by 4 screws  jet black colour, RAL 9005	<a href="#">MK APN25</a>	M25	
	Angled insulating surface mounting housing, 1 stainless steel lever, with <b>closed bottom flange</b> , M25 cable entry, fixing by 4 screws  light grey colour, RAL 7035	<a href="#">MKX AP25</a>	M25	

## COMPACT 21.21 INSERTS

## Pages

COMPACT 21.21 INSERTS		Pages
CK	CN.19	58
CKSH	CN.19	63
CD	CN.19	66-67
CDY 07 – CDY 08		18-19
CQ4	CN.19	182-184
CQ4 03/2	News 2020	16
CQ	CN.19	186-190
CQY 05	News 2022	19



## Size 21.21 Insulating hoods and cover

2 pegs

See page 59 and CN.19 pages 340-341

# 21.21 Enclosures – Standard insulating

size **21.21**

## Hoods – 2 pegs

Standard Heavy Duty applications


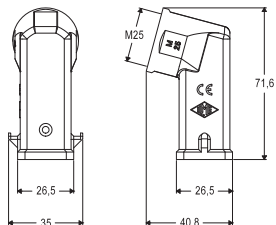

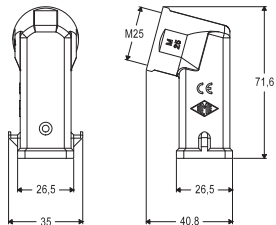

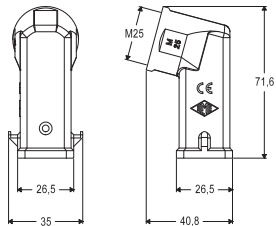

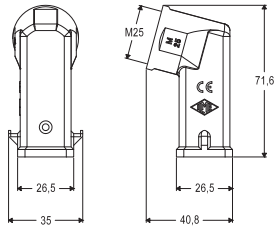


EN 60529 - with standard fixing screw	IP44
With <b>CKR 65</b> gasket and screw kit	IP66/IP67/IP69
UL 50 / UL 50E - with standard fixing screw	Type 12
With <b>CKR 65</b> gasket and screw kit	Type 4/4X
Ambient temperature limits	-40 °C..+125 °C
Mechanical life	≥ 500 cycles



CQC, DNV, BV pending

cURus pending

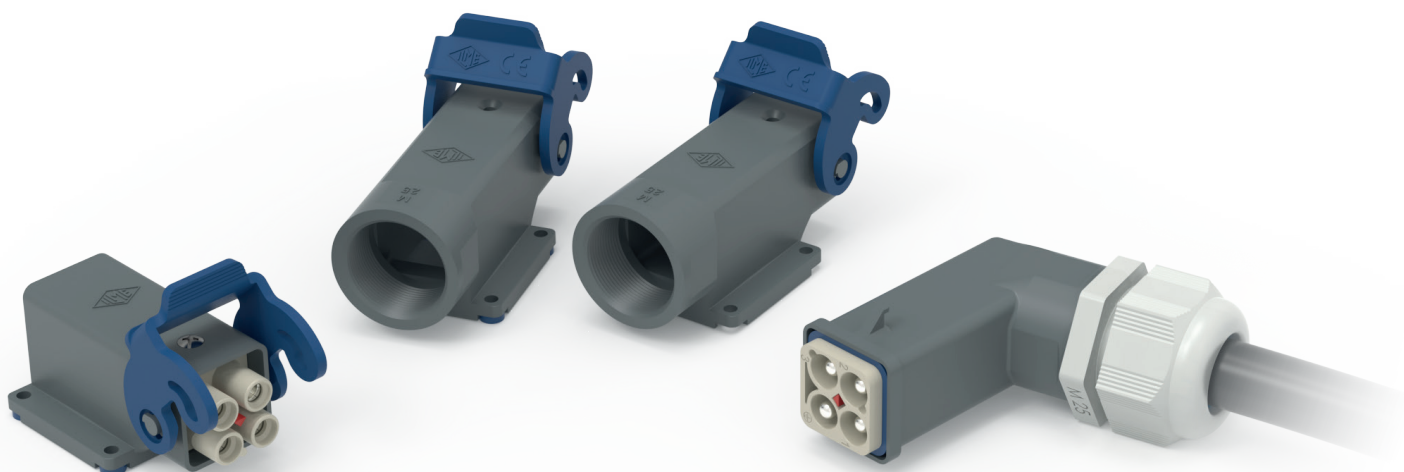
Item	Description	Part No.	Entry	Dimensions
	Angled insulating hoods with M25 cable entry light grey colour, RAL 7035	<a href="#">MK VA25</a>	M25	
	Angled insulating hoods with M25 cable entry jet black colour, RAL 9005	<a href="#">MK VAN25</a>	M25	
	Angled insulating hoods with M25 cable entry, <u>with glued gasket</u> light grey colour, RAL 7035  <b>DESINA®</b> version: suitable for DESINA® CXL inserts and CJ, CUK, CLK, CX BD adapters for male inserts without gasket	<a href="#">MKG VA25</a>	M25	
	Angled insulating hoods with M25 cable entry, <u>with glued gasket</u> jet black colour, RAL 9005  <b>DESINA®</b> version: suitable for DESINA® CXL inserts and CJ, CUK, CLK, CX BD adapters for male inserts without gasket	<a href="#">MKG VAN25</a>	M25	

COMPACT 21.21 INSERTS		Pages
CK	CN.19	58
CKSH	CN.19	63
CD	CN.19	66-67
CDY 07 – CDY 08		18-19
CQ4	CN.19	182-184
CQ4 03/2	News 2020	16
CQ	CN.19	186-190
CQY 05	News 2022	19
<b>for DESINA® hoods</b>		
CJ KM	CN.19	223
CJK 8MT – CJK 8M	CN.19	226, 233
CUK FT	CN.19	236
CX 1/2 BD	CN.19	243
CXL P – CXL 2/4 P – CXL 2/4 PH	CN.19	251



**Size 21.21 Insulating enclosures**  
Metallic and insulating levers  
See CN.19 pages 339-345

## Size 21.21 angled entry insulating housings and hoods CKH – MKH Hygienic enclosures



Light and space-saving enclosures  
for food environment



Find out more  
[www.ilme.com](http://www.ilme.com)

## TECHNICAL FEATURES

The **CKH-MKH** series of **size 21.21 Hygienic insulating hoods and housings** is furtherly extended by the new angled surface mounting or bulkhead mounting housings and angled M25 entry hoods.

These new enclosures are meant to be used with connector inserts demanding larger wire size (power connector inserts) or larger wire bundle diameter (for high pole-number signal inserts), matching the already existing metallic versions with same fit and function, to allow a lighter installation, where suitable.

**Q** The **new M25 angled** (horizontal cable entry) **hygienic insulating hoods** are likely to mate with (straight) bulkhead mounting hygienic housings.

**Q** The **new angled hygienic insulating surface mounting or bulkhead mounting insulating housings** are likely to mate with straight (vertical cable entry) M25 hygienic hoods.

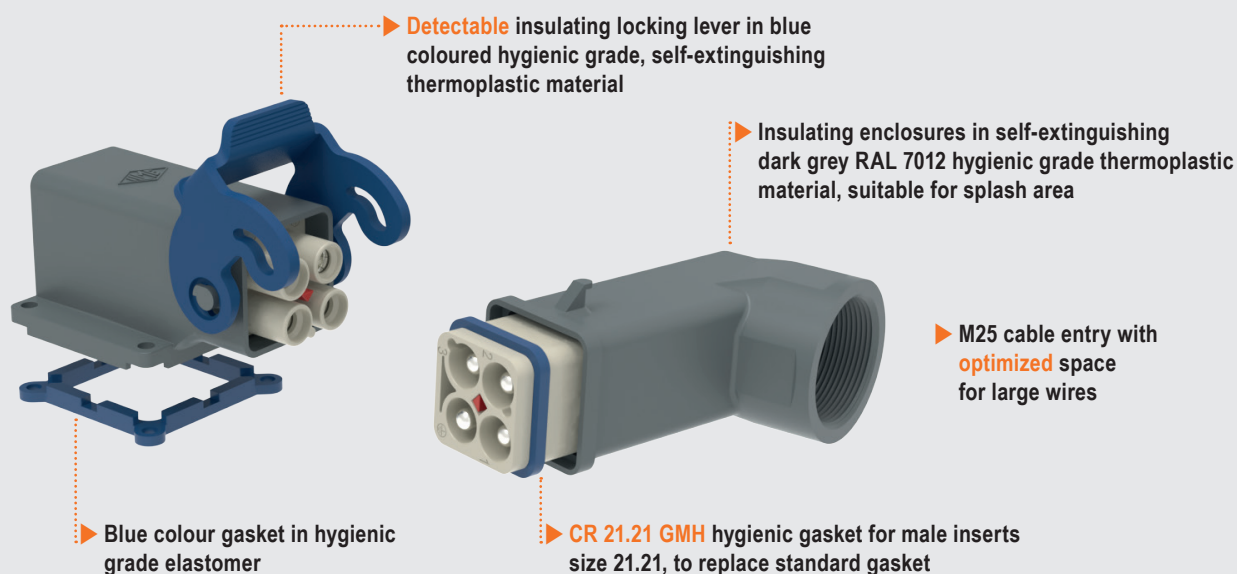
Main features of the bulkhead and the surface-mounting housings:

- > **4-screw square flange** for the mounting on the panel wall, in view of the foreseeable higher load of the attached free connector due to the larger wiring allowed;
- > equipped with the **standard insulating locking lever**;
- > insulating enclosures in self-extinguishing dark grey RAL 7012 hygienic grade thermoplastic material, suitable for splash area, qualified for resistance to cleaning agents by ECOLAB and in compliance with EHEDG Guideline no. 32;

- > **detectable** insulating locking lever in blue coloured hygienic grade, self-extinguishing thermoplastic material;
- > angled housings with incorporated blue colour flange gasket in hygienic grade elastomer;
- > hoods **MKGH VA25** with blue colour glued gasket in hygienic grade elastomer;
- > suitable for use either indoor or outdoor;
- > degree of protection according to EN 60529: IP66/IP67/IP69 with **CKHR 65** fixing screw and gasket kit (separately available) and suitably IP rated cable outlet device.

### MARKINGS AND APPROVALS

- **CE** and **UKCA** markings, EAC not applicable
- cURus (ECBT2/ECBT8) pending
- Type 12, Type 4 and 4X when using CKRH 65 kit
- CQC, DNV and BV (as accessories) pending
- **RoHS**: compliant



# 21.21 Enclosures – Hygienic

## Housings – 1 lever – fixing by 4 screws

size **21.21**


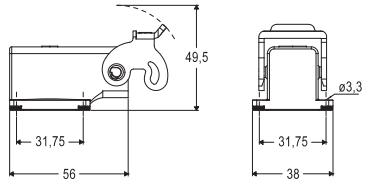

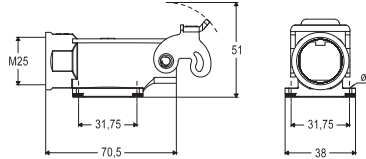

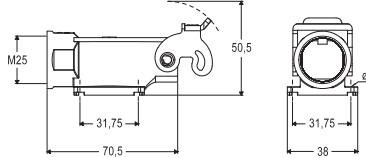
Specific applications

CE UK  
CA

CQC, DNV, BV pending

cURus pending

EN 60529	IP44
With <b>CKRH 65</b> gasket and screw kits	<b>IP66/IP67/IP69</b>
UL 50 / UL 50E	<b>Type 12</b>
With <b>CKRH 65</b> gasket and screw kits	<b>Type 4/4X</b>
Ambient temperature limits	<b>-40 °C..+70 °C</b>
Mechanical life	<b>≥ 500 cycles</b>

Item	Description	Part No.	Entry	Dimensions
	Angled insulating bulkhead mounting housing, with embedded gasket, 1 lever, fixing by 4 screws	<a href="#">CKH 03 IA4</a>		
	Angled insulating bulkhead mounting housing, 1 lever, with open bottom flange, with embedded gasket, M25 cable entry, fixing by 4 screws	<a href="#">MKH IAP25</a>	M25	
	Angled insulating surface mounting housing, 1 lever, with closed bottom flange, (no gasket), M25 cable entry, fixing by 4 screws	<a href="#">MKH AP25</a>	M25	

COMPACT 21.21 INSERTS		Pages
CK	CN.19	58
CKSH	CN.19	63
CD	CN.19	66-67
CDY 07 – CDY 08		18-19
CQ4	CN.19	182-184
CQ4 03/2	News 2020	16
CQ	CN.19	186-190
CQY 05	News 2022	19



Size 21.21 Hygienic hoods  
**2 pegs**  
 See News 2020 pages 109-110

# 21.21 Enclosures – Hygienic

size **21.21**

## Hoods – 2 pegs

Specific applications


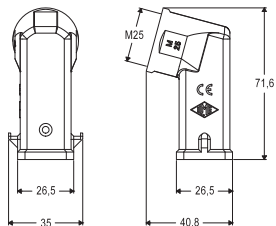

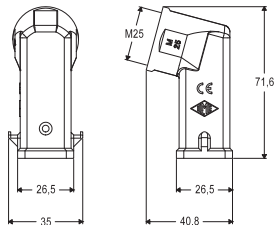


CE UK CA

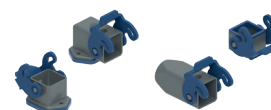
CQC, DNV, BV pending

cURus pending

EN 60529 - with standard fixing screw	IP44
With <b>CKRH 65</b> gasket and screw kit	IP66/IP67/IP69
UL 50 / UL 50E - with standard fixing screw	Type 12
With <b>CKRH 65</b> gasket and screw kit	Type 4/4X
Ambient temperature limits	-40 °C..+70 °C
Mechanical life	≥ 500 cycles

Item	Description	Part No.	Entry	Dimensions
	Angled insulating hoods with M25 cable entry	<a href="#">MKH VA25</a>	M25	
	Angled insulating hoods with M25 cable entry, with glued gasket  <b>DESINA®</b> version: suitable for DESINA® CXL inserts and CJ, CUK, CLK, CX BD adapters for male inserts without gasket	<a href="#">MKGH VA25</a>	M25	

COMPACT 21.21 INSERTS		Pages
CK	CN.19	58
CKSH	CN.19	63
CD	CN.19	66-67
CDY 07 – CDY 08		18-19
CQ4	CN.19	182-184
CQ4 03/2	News 2020	16
CQ	CN.19	186-190
CQY 05	News 2022	19
<b>for DESINA® hoods</b>		
CJ KM	CN.19	223
CJK 8MT – CJK 8M	CN.19	226, 233
CUK FT	CN.19	236
CX 1/2 BD	CN.19	243
CXL P – CXL 2/4 P – CXL 2/4 PH	CN.19	251



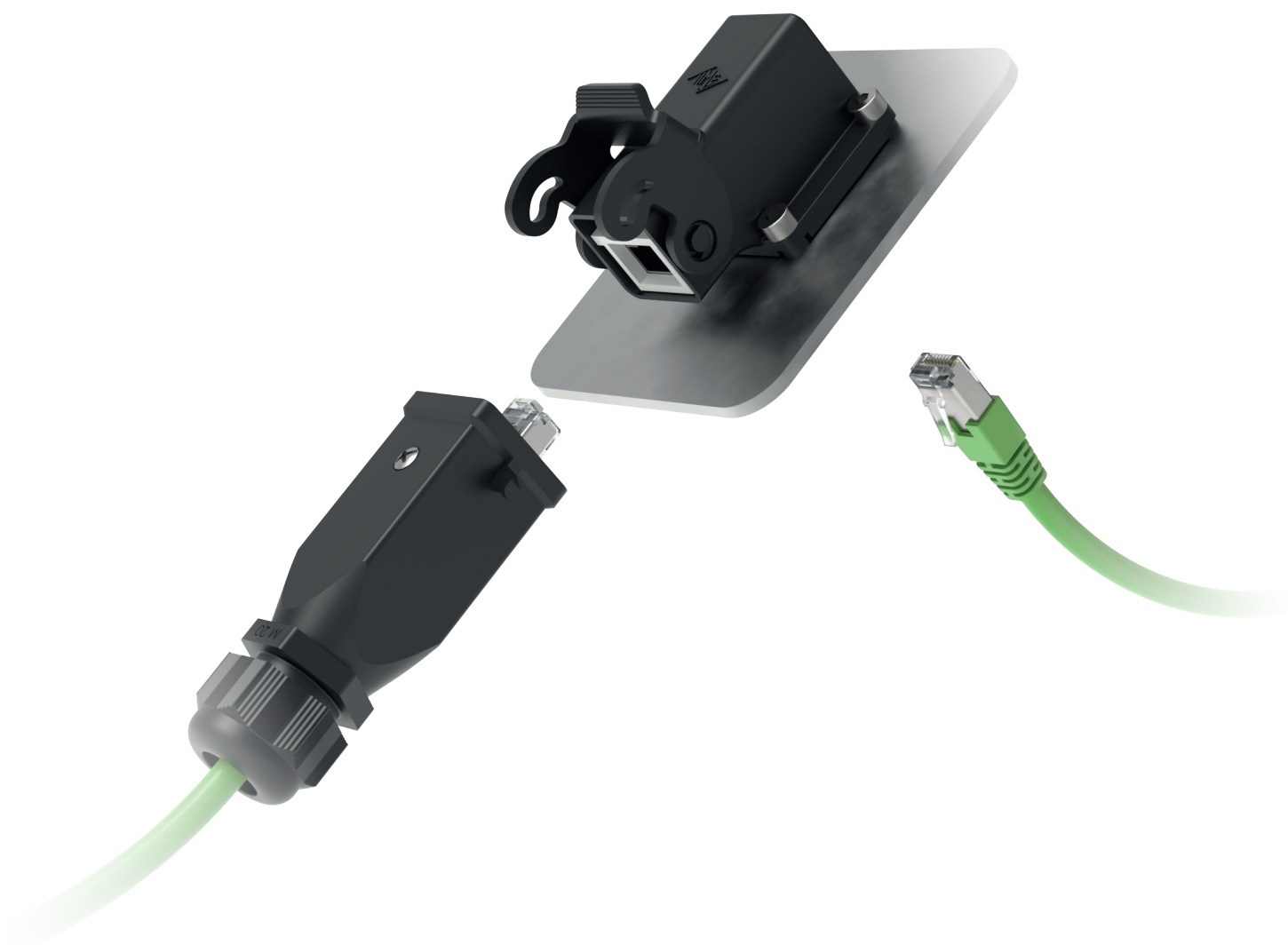
Size 21.21 Hygienic housings and hoods and caps with lever

1 lever

See News 2020 pages 108-110

Size 21.21 RJ45 angled coupler  
in insulating mounting housings

**CJZ 8 IA4N**



90° angled RJ45, female-female coupler  
in insulating 21.21 housings  
with 4 fixing screws



Find out more  
[www.ilme.com](http://www.ilme.com)



## TECHNICAL FEATURES

These new angled bulkhead mounting housings in insulating material join the already available **complete connectors with angled RJ45 jacks on both sides** in metal enclosures, allowing a lighter assembly, where suitable.

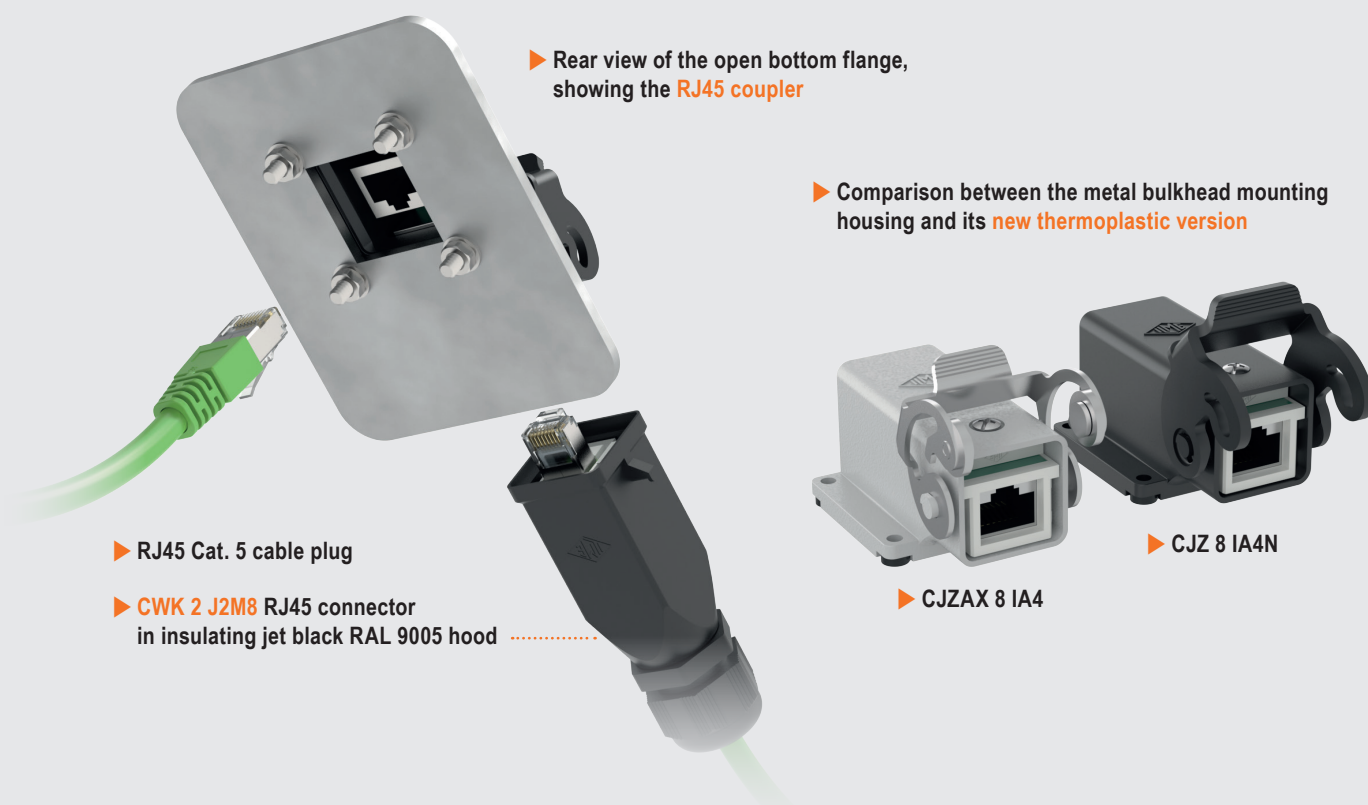
This new 90°-angled female-female RJ45 coupler, housed in a **size 21.21 angled insulating bulkhead mounting housing with 4 fixing screws on the flange**, once installed on the vertical wall of a control panel enclosure, enables the corresponding male RJ45 connector being oriented **vertically**, along the wall of the control panel, so as to **avoid undue torque (leverage effect)** on the connector locking lever, due to the weight of the attached cable and the lever arm that a horizontally placed hood and gland would imply.

This RJ45 female/female adapter is fitted with **two PCB-mounted RJ45 Cat. 5 female connectors (jacks)** on a specially designed PCB and allows use of patch cords both on the inside and the outside of a control panel, e.g. using the universal patch cord adapter CJK 8M on corresponding insulating hood on the outside of the panel.

- > Insulating enclosures in self-extinguishing jet-black RAL 9005 thermoplastic material;
- > insulating locking lever in self-extinguishing thermoplastic material, same colour of the housing;
- > angled housings with incorporated flange gasket in anti-aging, oil-resistant, grease-resistant, and fuel-resistant thermoplastic elastomer;
- > IP66/IP67/IP69 degree of protection when mated and locked.

### MARKINGS AND APPROVALS

- CE and UKCA markings, EAC not applicable
- cURus (ECBT2/ECBT8) pending
- CQC, DNV and BV pending
- **RoHS**: compliant



▶ Rear view of the open bottom flange, showing the **RJ45 coupler**

▶ Comparison between the metal bulkhead mounting housing and its **new thermoplastic version**

▶ RJ45 Cat. 5 cable plug

▶ **CWK 2 J2M8** RJ45 connector in insulating jet black RAL 9005 hood

▶ **CJZAX 8 IA4**

▶ **CJZ 8 IA4N**

# 21.21 Data Connectors – RJ45 angled coupler

size **21.21**


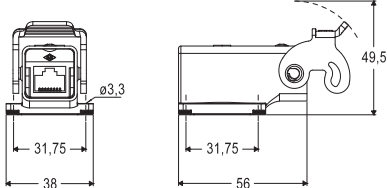
## Housings

Data  
connectorsCE UK  
CA

CQC, DNV, BV pending

cURus pending

EN 60529	IP66/IP67/IP69
UL 50 / UL 50E	Type 4/4X/12
Ambient temperature limits	-40 °C..+120 °C
Mechanical life	≥ 500 cycles

Item	Description	Part No.	Dimensions
	<p>Angled insulating bulkhead mounting housing with RJ45 coupler, 1 lever, fixing by 4 screws</p> <p>Jet black colour, RAL 9005</p>	<p><a href="#">CJZ 8 IA4N</a></p>	

ACCESSORIES		Pages
CWK...J2M8	CN.19	224
CW J5..M	CN.19	230
CWC J5..M	CN.19	230



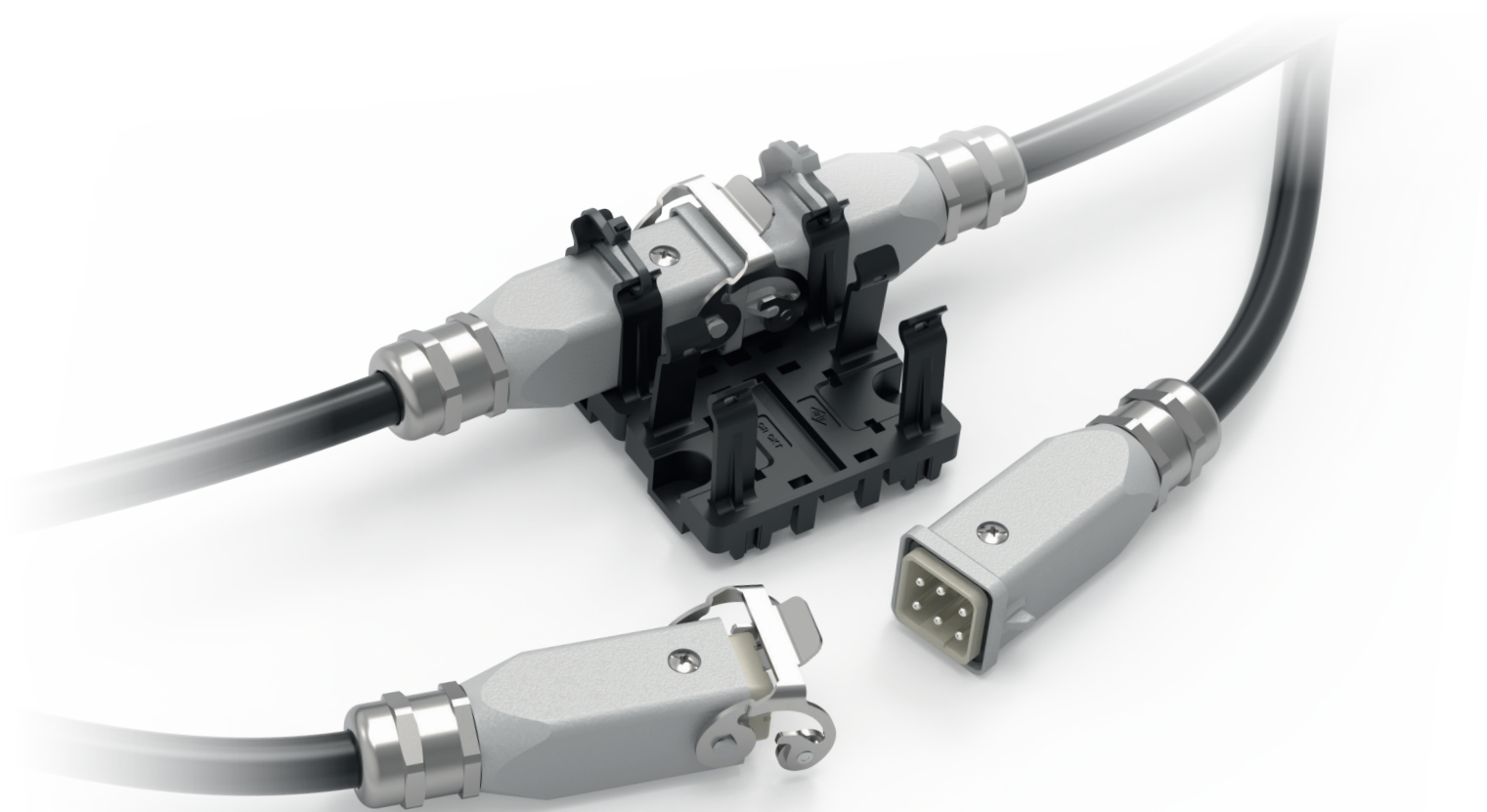
**CWK RJ45 connectors in insulating hoods and cable plugs**

See CN.19 pages 224, 230



Fixing frame for size 21.21  
complete free connector coupling

**CR CKT**

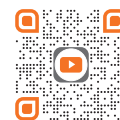


Screw fixing directly on the backpanel  
or snap-in fixing on DIN EN 60715 rail



Find out more  
[www.ilme.com](http://www.ilme.com)

## TECHNICAL FEATURES



Watch our  
technical clip

As extension of the **COB system of panel supports** for connector inserts, this new **insulating fixing frame for size 21.21 complete free connector couplings** employing either insulating or metal hoods, allows its fixing to a backpanel wall by means of screws (not provided), or by snapping it over a DIN EN 60715-35×7,5 mm rail (not provided), either on the rail's short side or long side.

It consists of a base plate with a couple of lyra-shaped holding arms, in which the 21.21 complete free connector coupling, is releasably inserted with front-facing locking lever. The lyra-shaped elastic arms that embrace each hood have on their tip a hole for the installation of the supplied wiring tie deemed to fasten each hood to the base.

The base is provided on one side with dovetail prongs, and on the other side with corresponding seats, in order to enable the mutual locking of multiple units, useful for screw-fastening multiple units using a reduced number of screws (e.g., one per base, in a quincunx pattern). Use of mutual locking is not recommended for snap-in mounting on top hat rails.

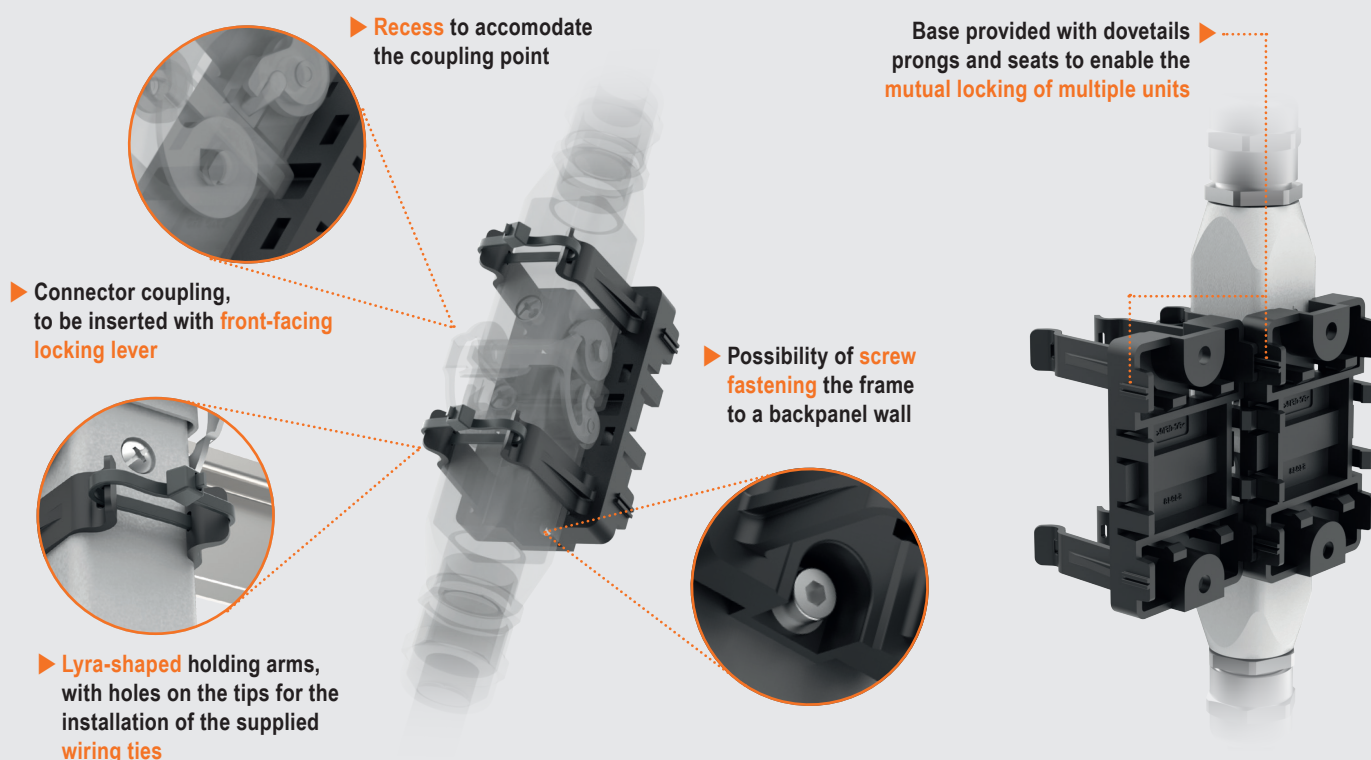
**Q** Snapping-in multiple units close to each other allows an array of 21.21 free connector couplings to be fixed on a backpanel.

The temporary release of the connector coupling can be obtained by cutting the wiring ties that hold in place each of the two hoods of the coupling. Subsequent fixing requires additional replacement ties.

- > Suitable for outdoor surface-mount installation or indoor installation, e.g., inside electrical control panels;
- > made of reinforced polycarbonate, jet black RAL 9005, UL 94V-0;
- > supplied with two black wiring ties.

### MARKINGS AND APPROVALS

- **CE** and **UKCA** markings not applicable, EAC not applicable
- cURus (ECBT2/ECBT8) pending
- DNV and BV (as accessories) pending
- **RoHS**: compliant



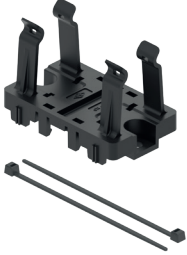
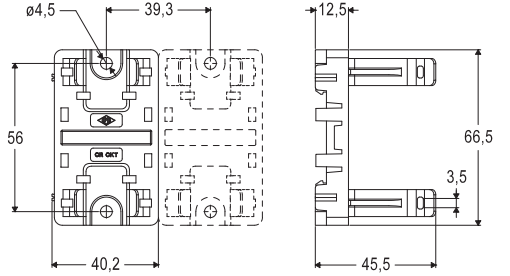
# CR CKT

## fixing frame

DNV, BV pending

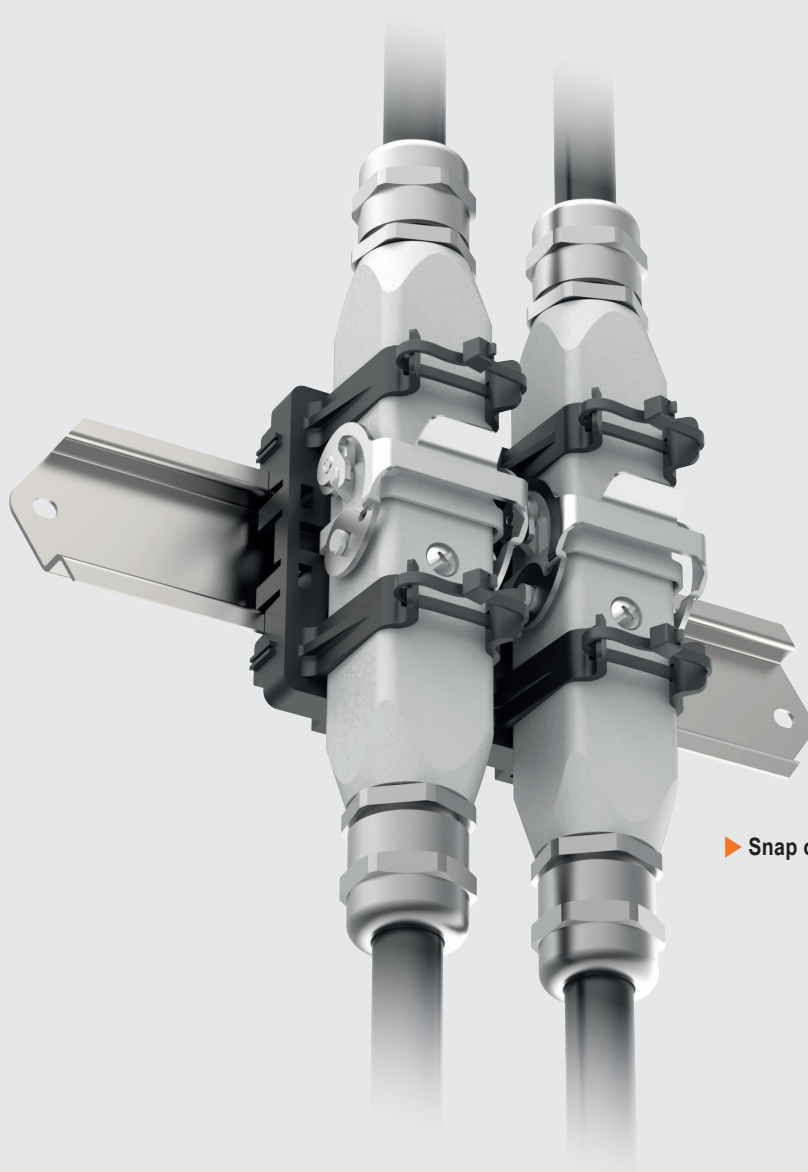
Ambient temperature limit **-40 °C..+125 °C**

cURus pending

Item	Description	Part No.	Dimension
	Fixing frame, for size 21.21 complete free connector coupling  Supplied with 2× black cable ties	<a href="#">CR CKT</a>	

### Materials

Frame	polycarbonate (PC)
UL 94 flammability class	V-0
Colour	jet black, RAL 9005



▶ Snap over a DIN EN 60715-35×7,5 mm rail

## New locking lever(s) design for Series T-TYPE and T-TYPE /W enclosures



Space-saving, ergonomic  
and smooth lever(s) design  
for an improved performance



Find out more  
[www.ilme.com](http://www.ilme.com)



# TECHNICAL FEATURES



Watch our  
technical clip

**Series T-TYPE standard insulating enclosures** and **Series T-TYPE /W insulating enclosures for harsh environments** (thanks to the FKM sealing gaskets) are now available equipped with the new design fully plastic locking lever(s) derived from the IL-BRID locking lever(s).

The design is the same already in use in the **T-TYPE Hygienic** versions, both /H and /C, which is now extended to the whole T-TYPE series.

Besides style alignment with other series of enclosures, this evolution brings the advantage of a **reduction of occupied space** thanks to the more compact design of the lever(s), which becomes useful in particularly space-constrained installations, e.g., on bulkhead mounting housings, when multiple housings are installed in a tight space, for allowing the operation of the locking lever(s).

All other features of Series T-TYPE standard insulating enclosures and Series T-TYPE /W insulating enclosures for harsh environments remain unchanged.

## MARKINGS AND APPROVALS

- **CE** and **UK CA** markings, EAC not applicable
- cURus (ECBT2/ECBT8), Type 12 pending
- CQC, DNV and BV (as accessories) pending
- **RoHS**: compliant

In addition to the models described in detail in the following pages, all surface mounting housings with both M cable entries opened and all hoods and housings with **preassembled CR...BPE protective earth jumpers** are available. See [Table below](#) for all part Numbers.

Variants with preassembled **CR..BPE protective earth jumpers** are available for all series T-TYPE hoods and housings, including **standard types and T-TYPE /W**. Their part number is the same of base model plus **letter B** at the end, as shown in the table below.

Size	Cable outlet	Locking lever	T-TYPE standard		T-TYPE/W for harsh environments	
			part No.	part No.	part No.	part No.
44.27	—	single	TCHI 06 L	TCHI 06 LB	THIW 06 L	THIW 06 LB
57.27	—	double	TCHI 10	TCHI 10 B	THIW 10	THIW 10 B
77.27	—		TCHI 16	TCHI 16 B	THIW 16	THIW 16 B
104.27	—		TCHI 24	TCHI 24 B	THIW 24	THIW 24 B
44.27	M25	single	TMAP 06 L25	TMAP 06L25B	TAPW 06 L25	TAPW 06L25B
	M32		TMAP 06 L32	TMAP 06L32B	TAPW 06 L32	TAPW 06L32B
	2×M25		TMAP 06 L225	TMAP06L225B	TAPW 06 L225	TAPW06L225B
	2×M32		TMAP 06 L232	TMAP06L232B	TAPW 06 L232	TAPW06L232B
57.27	M25	double	TMAP 10.25	TMAP 10.25B	TAPW 10.25	TAPW 10.25B
	M32		TMAP 10.32	TMAP 10.32B	TAPW 10.32	TAPW 10.32B
	2×M25		TMAP 10.225	TMAP10.225B	TAPW 10.225	TAPW10.225B
	2×M32		TMAP 10.232	TMAP10.232B	TAPW 10.232	TAPW10.232B
77.27	M32	double	TMAP 16.32	TMAP 16.32B	TAPW 16.32	TAPW 16.32B
	M40		TMAP 16.40	TMAP 16.40B	TAPW 16.40	TAPW 16.40B
	2×M32		TMAP 16.232	TMAP16.232B	TAPW 16.232	TAPW16.232B
	2×M40		TMAP 16.240	TMAP16.240B	TAPW 16.240	TAPW16.240B
104.27	M32	double	TMAP 24.32	TMAP 24.32B	TAPW 24.32	TAPW 24.32B
	M40		TMAP 24.40	TMAP 24.40B	TAPW 24.40	TAPW 24.40B
	2×M32		TMAP 24.232	TMAP24.232B	TAPW 24.232	TAPW24.232B
	2×M40		TMAP 24.240	TMAP24.240B	TAPW 24.240	TAPW24.240B
44.27	M25	single	TMAV 06 LG25	TMAV06LG25B	TAVW 06 LG25	TAVW06LG25B
	M32		TMAV 06 LG32	TMAV06LG32B	TAVW 06 LG32	TAVW06LG32B
57.27	M25	double	TMAV 10 G25	TMAV 10G25B	TAVW 10 G25	TAVW 10G25B
	M32		TMAV 10 G32	TMAV 10G32B	TAVW 10 G32	TAVW 10G32B
77.27	M32	double	TMAV 16 G32	TMAV 16G32B	TAVW 16 G32	TAVW 16G32B
	M40		TMAV 16 G40	TMAV 16G40B	TAVW 16 G40	TAVW 16G40B
104.27	M32	double	TMAV 24 G32	TMAV 24G32B	TAVW 24 G32	TAVW 24G32B
	M40		TMAV 24 G40	TMAV 24G40B	TAVW 24 G40	TAVW 24G40B

# T-TYPE Series – Insulating Enclosures for standard applications

size **44.27**

Standard Heavy Duty applications

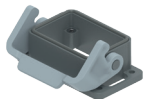
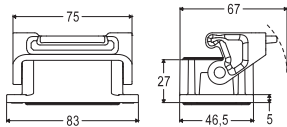

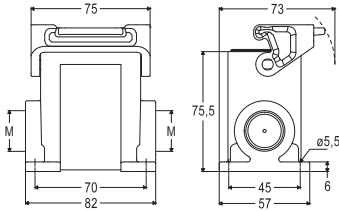

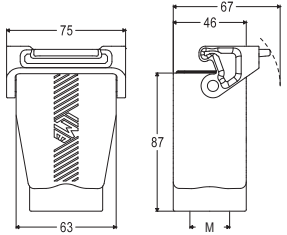
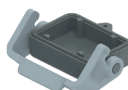

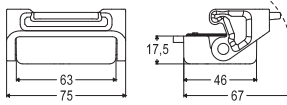


CE UK CA

CQC, DNV, BV pending

cURus pending

EN 60529	IP65
UL 50 / UL 50E	Type 12
Gasket material	PUR (Polyurethane)
Ambient temperature limits	-40 °C ... +90 °C
Mechanical life	≥ 500 cycles

Item	Description	Part No.	Entry	Dimensions
	Bulkhead mounting housings, 1 lever and gasket	<a href="#">TCHI 06 L</a>		
	Surface mounting housings, 1 lever and gasket, high construction  Supplied with an open threaded entry and diametrically opposite a closed threaded entry which can be opened by the user if required (with suitable tool).	<a href="#">TMAP 06 L25</a> <a href="#">TMAP 06 L32</a>	M25 M32	
	Hoods, 1 lever and gasket, top entry, high construction	<a href="#">TMAV 06 LG25</a> <a href="#">TMAV 06 LG32</a>	M25 M32	
	Covers, 1 lever and gasket  with loop 	<a href="#">TCHC 06 LG</a>		

**INSERTS SIZE 44.27****Pages**

Item	Page
CDD	CN.19 76
CDSH	CN.19 86
CDSH NC	CN.19 95
CNE	CN.19 110
CSH	CN.19 110
CSH S	CN.19 122
CCE	CN.19 130
CSS	CN.19 148
CT (16 A)*	CN.19 160
CTSE (16 A)*	CN.19 160
CQE	CN.19 168
CQEY	News 2023 24
MIXO frames, 2-slot sized	CN.19 317

**T-TYPE Hoods and PE earth jumpers - size 44.27****2 pegs**

See CN.19 pages 480-481, 510

\* can be used only in bulkhead mounting housing

# T-TYPE /W Series – Insulating

size **44.27**

Enclosures for aggressive environments

Standard Heavy Duty applications



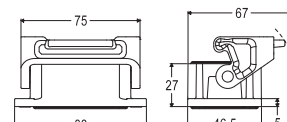
CQC, DNV, BV pending

cURus pending

EN 60529	IP65
UL 50 / UL 50E	Type 12
Gasket material	FKM (Fluoroelastomer)
Ambient temperature limits	-40 °C ... +90 °C
Mechanical life	≥ 500 cycles

Item	Description	Part No.	Entry	Dimensions
------	-------------	----------	-------	------------

Bulkhead mounting housings,  
1 lever and gasket [THIW 06 L](#)

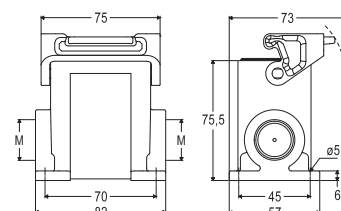


Surface mounting housings,  
1 lever and gasket,  
high construction [TAPW 06 L25](#)  
[TAPW 06 L32](#)



Supplied with an open threaded entry and diametrically opposite a closed threaded entry which can be opened by the user if required (with suitable tool).

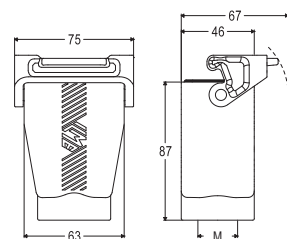
M25  
M32



Hoods, 1 lever and gasket,  
top entry, high construction [TAVW 06 LG25](#)  
[TAVW 06 LG32](#)

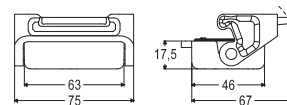
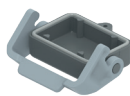


M25  
M32



Covers, 1 lever and gasket [THCW 06 LG](#)

with loop



INSERTS SIZE 44.27		Pages
CDD	CN.19	76
CDSH	CN.19	86
CDSH NC	CN.19	95
CNE	CN.19	110
CSH	CN.19	110
CSH S	CN.19	122
CCE	CN.19	130
CSS	CN.19	148
CT (16 A)*	CN.19	160
CTSE (16 A)*	CN.19	160
CQE	CN.19	168
CQEY	News 2023	24
MIXO frames, 2-slot sized	CN.19	317



**T-TYPE Hoods and PE earth jumpers - size 44.27**  
**2 pegs**  
See CN.19 pages 480-481, 510

\* can be used only in bulkhead mounting housing

# T-TYPE Series – Insulating Enclosures for standard applications

size **57.27**

Standard Heavy Duty applications

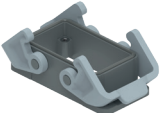
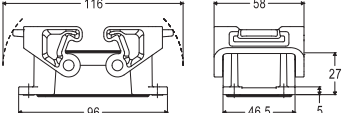

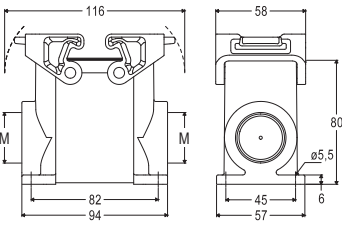

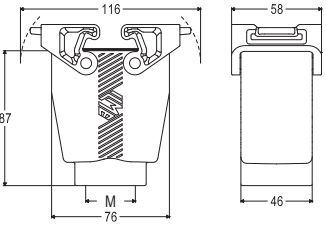
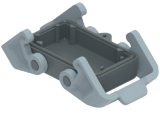
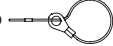
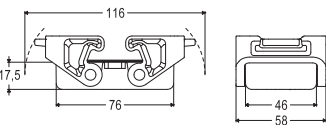


CE UK CA

CQC, DNV, BV pending

cURus pending

EN 60529	IP65
UL 50 / UL 50E	Type 12
Gasket material	PUR (Polyurethane)
Ambient temperature limits	-40 °C ... +90 °C
Mechanical life	≥ 500 cycles

Item	Description	Part No.	Entry	Dimensions
	Bulkhead mounting housings, 2 levers and gasket	<a href="#">TCHI 10</a>		
	Surface mounting housings, 2 levers and gasket, high construction  Supplied with an open threaded entry and diametrically opposite a closed threaded entry which can be opened by the user if required (with suitable tool).	<a href="#">TMAP 10.25</a> <a href="#">TMAP 10.32</a>	M25 M32	
	Hoods, 2 levers and gasket, top entry, high construction	<a href="#">TMAV 10 G25</a> <a href="#">TMAV 10 G32</a>	M25 M32	
	Covers, 2 levers and gasket  with loop 	<a href="#">TCHC 10 G</a>		

**INSERTS SIZE 57.27****Pages**

CDD	CN.19	78
CDSH	CN.19	87
CNE	CN.19	111
CSH	CN.19	111
CSH S	CN.19	123
CCE	CN.19	131
CMSH	CN.19	136
CMCE	CN.19	137
CSS	CN.19	149
CT (16 A)*	CN.19	161
CTSE (16 A)*	CN.19	161
CQE	CN.19	169
CQEY	News 2023	25
CX	CN.19	194
MIXO frames, 3-slot sized	CN.19	317

**T-TYPE Hoods and PE earth jumpers - size 57.27****4 pegs**

See CN.19 pages 482-483, 510

\* can be used only in bulkhead mounting housing

# T-TYPE /W Series – Insulating Enclosures for aggressive environments

size **57.27**

Standard Heavy Duty applications



CE UK CA

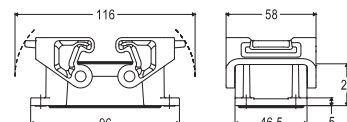
CQC, DNV, BV pending

cURus pending

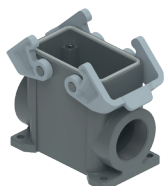
EN 60529	IP65
UL 50 / UL 50E	Type 12
Gasket material	FKM (Fluoroelastomer)
Ambient temperature limits	-40 °C ... +90 °C
Mechanical life	≥ 500 cycles

Item	Description	Part No.	Entry	Dimensions
------	-------------	----------	-------	------------

Bulkhead mounting housings, 2 levers and gasket [THIW 10](#)

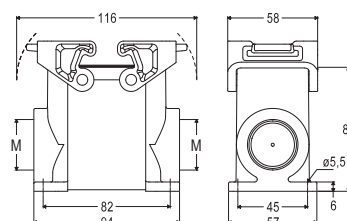


Surface mounting housings, 2 levers and gasket, high construction [TAPW 10.25](#)  
[TAPW 10.32](#)



Supplied with an open threaded entry and diametrically opposite a closed threaded entry which can be opened by the user if required (with suitable tool).

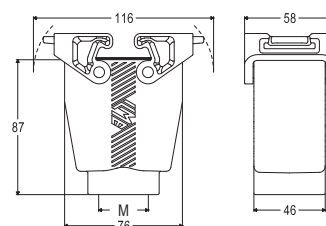
M25  
M32



Hoods, 2 levers and gasket, top entry, high construction [TAVW 10 G25](#)  
[TAVW 10 G32](#)

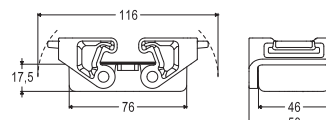
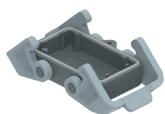


M25  
M32



Covers, 2 levers and gasket [THCW 10 G](#)

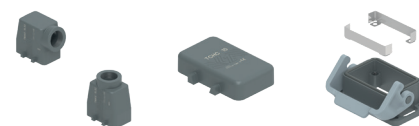
with loop



## INSERTS SIZE 57.27

## Pages

CDD	CN.19	78
CDSH	CN.19	87
CNE	CN.19	111
CSH	CN.19	111
CSH S	CN.19	123
CCE	CN.19	131
CMSH	CN.19	136
CMCE	CN.19	137
CSS	CN.19	149
CT (16 A)*	CN.19	161
CTSE (16 A)*	CN.19	161
CQE	CN.19	169
CQEY	News 2023	25
CX	CN.19	194
MIXO frames, 3-slot sized	CN.19	317



## T-TYPE Hoods and PE earth jumpers - size 57.27

4 pegs

See CN.19 pages 482-483, 510

\* can be used only in bulkhead mounting housing

# T-TYPE Series – Insulating Enclosures for standard applications

size **77.27**

Standard Heavy Duty applications

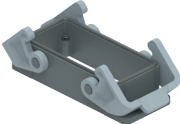
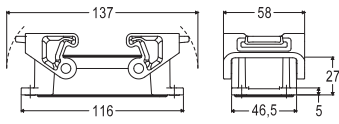
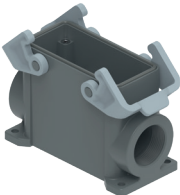
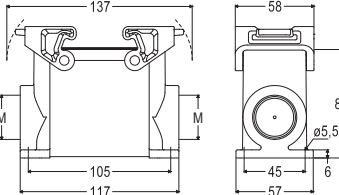

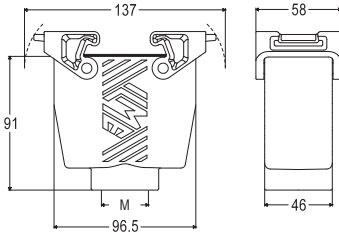
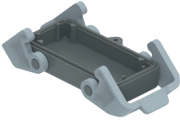

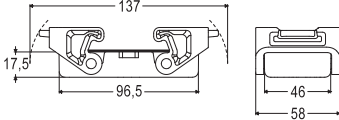


CE UK CA

CQC, DNV, BV pending

cURus pending

EN 60529	IP65
UL 50 / UL 50E	Type 12
Gasket material	PUR (Polyurethane)
Ambient temperature limits	-40 °C ... +90 °C
Mechanical life	≥ 500 cycles

Item	Description	Part No.	Entry	Dimensions
	Bulkhead mounting housings, 2 levers and gasket	<a href="#">TCHI 16</a>		
	Surface mounting housings, 2 levers and gasket, high construction  Supplied with an open threaded entry and diametrically opposite a closed threaded entry which can be opened by the user if required (with suitable tool).	<a href="#">TMAP 16.32</a> <a href="#">TMAP 16.40</a>	M32 M40	
	Hoods, 2 levers and gasket, top entry, high construction	<a href="#">TMAV 16 G32</a> <a href="#">TMAV 16 G40</a>	M32 M40	
	Covers, 2 levers and gasket  with loop 	<a href="#">TCHC 16 G</a>		

**INSERTS SIZE 77.27****Pages**

Item	Part No.	Pages
CD	CN.19	70
CDD	CN.19	79
CDSH	CN.19	88
CNE	CN.19	112
CSH - CSH S	CN.19	112, 124
CCE	CN.19	132
CMSH – CMCE	CN.19	138-139
CSS	CN.19	150
CT – CTS (10 A)*	CN.19	156
CT – CTSE (16 A)*	CN.19	162
CQE	CN.19	170
CQEE	CN.19	176
CQEY	News 2023	26
CP	CN.19	178
CX	CN.19	197-201
CX 9/42	News 2020	20
CXC 4/2	News 2021	16
MIXO frames, 4-slot sized	CN.19	317

**T-TYPE Hoods and PE earth jumpers - size 77.27****4 pegs**

See CN.19 pages 484-485, 510

\* can be used only in bulkhead mounting housing

# T-TYPE /W Series – Insulating Enclosures for aggressive environments

size **77.27**

Standard Heavy Duty applications



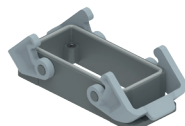
CE UK CA

CQC, DNV, BV pending

cURus pending

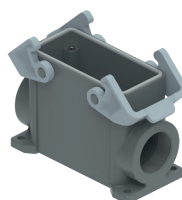
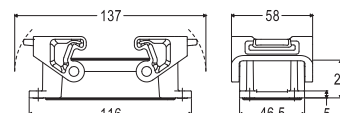
EN 60529	IP65
UL 50 / UL 50E	Type 12
Gasket material	FKM (Fluoroelastomer)
Ambient temperature limits	-40 °C ... +90 °C
Mechanical life	≥ 500 cycles

Item	Description	Part No.	Entry	Dimensions
------	-------------	----------	-------	------------



Bulkhead mounting housings, 2 levers and gasket

[THIW 16](#)

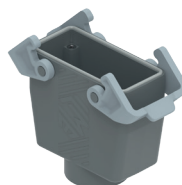
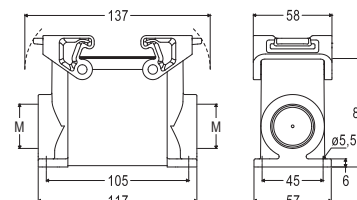


Surface mounting housings, 2 levers and gasket, high construction

[TAPW 16.32](#)  
[TAPW 16.40](#)

M32  
M40

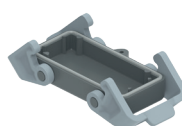
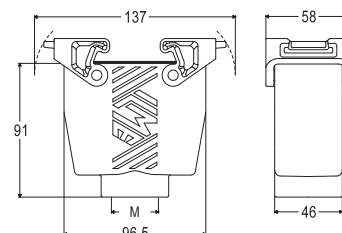
Supplied with an open threaded entry and diametrically opposite a closed threaded entry which can be opened by the user if required (with suitable tool).



Hoods, 2 levers and gasket, top entry, high construction

[TAVW 16 G32](#)  
[TAVW 16 G40](#)

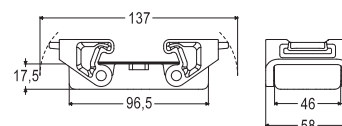
M32  
M40



Covers, 2 levers and gasket

[THCW 16 G](#)

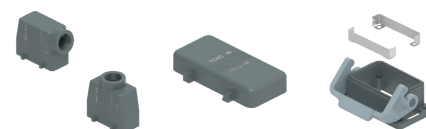
with loop



## INSERTS SIZE 77.27

## Pages

CD	CN.19	70
CDD	CN.19	79
CDSH	CN.19	88
CNE	CN.19	112
CSH - CSH S	CN.19	112, 124
CCE	CN.19	132
CMSh – CMCE	CN.19	138-139
CSS	CN.19	150
CT – CTS (10 A)*	CN.19	156
CT – CTSE (16 A)*	CN.19	162
CQE	CN.19	170
CQEE	CN.19	176
CQEY	News 2023	26
CP	CN.19	178
CX	CN.19	197-201
CX 9/42	News 2020	20
CXC 4/2	News 2021	16
MIXO frames, 4-slot sized	CN.19	317



T-TYPE Hoods and PE earth jumpers - size 77.27

4 pegs

See CN.19 pages 484-485, 510

\* can be used only in bulkhead mounting housing

# T-TYPE Series – Insulating Enclosures for standard applications

size **104.27**

Standard Heavy Duty applications

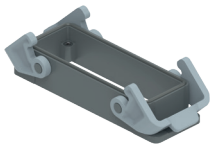
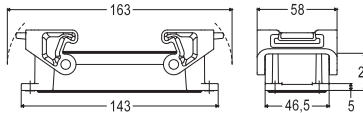
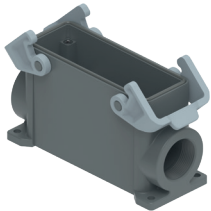
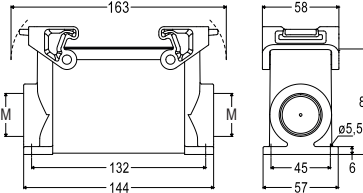

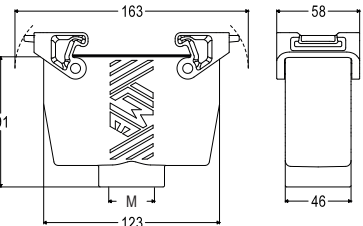
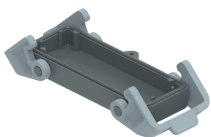

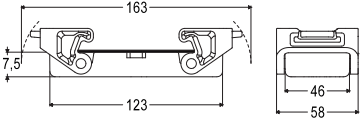


CE UK CA

CQC, DNV, BV pending

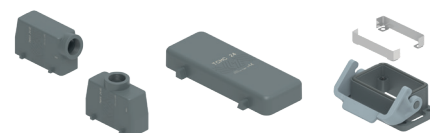
cURus pending

EN 60529	IP65
UL 50 / UL 50E	Type 12
Gasket material	PUR (Polyurethane)
Ambient temperature limits	-40 °C ... +90 °C
Mechanical life	≥ 500 cycles

Item	Description	Part No.	Entry	Dimensions
	Bulkhead mounting housings, 2 levers and gasket	<a href="#">TCHI 24</a>		
	Surface mounting housings, 2 levers and gasket, high construction  Supplied with an open threaded entry and diametrically opposite a closed threaded entry which can be opened by the user if required (with suitable tool).	<a href="#">TMAP 24.32</a> <a href="#">TMAP 24.40</a>	M32 M40	
	Hoods, 2 levers and gasket, top entry, high construction	<a href="#">TMAV 24 G32</a> <a href="#">TMAV 24 G40</a>	M32 M40	
	Covers, 2 levers and gasket  with loop 	<a href="#">TCHC 24 G</a>		

**INSERTS SIZE 104.27****Pages**

CD	CN.19	72
CDD	CN.19	81
CDSH	CN.19	89
CNE	CN.19	113
CSH	CN.19	113
CSH S	CN.19	125
CCE	CN.19	133
CMSH – CMCE	CN.19	140-141
CSS	CN.19	151
CT – CTS (10 A)*	CN.19	157
CT – CTSE (16 A)*	CN.19	163
CQE	CN.19	171
CQEE	CN.19	177
CQEY	News 2023	27
CX	CN.19	204, 206
CXC 4/8	News 2021	20
CX 8/0	News 2021	26
MIXO frames, 6-slot sized	CN.19	317



**T-TYPE Hoods and PE earth jumpers - size 104.27**  
4 pegs

See CN.19 pages 486-487, 510

\* can be used only in bulkhead mounting housing



# T-TYPE /W Series – Insulating

size **104.27**

Enclosures for aggressive environments

Standard Heavy Duty applications



CE UK CA

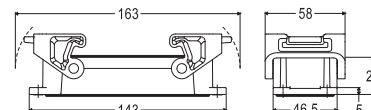
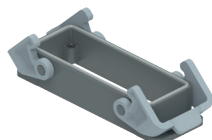
CQC, DNV, BV pending

cURus pending

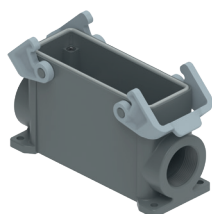
EN 60529	IP65
UL 50 / UL 50E	Type 12
Gasket material	FKM (Fluorelastomer)
Ambient temperature limits	-40 °C ... +90 °C
Mechanical life	≥ 500 cycles

Item	Description	Part No.	Entry	Dimensions
------	-------------	----------	-------	------------

Bulkhead mounting housings,  
2 levers and gasket [THIW 24](#)

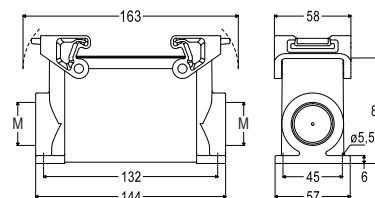


Surface mounting housings,  
2 levers and gasket,  
high construction [TAPW 24.32](#)  
[TAPW 24.40](#)

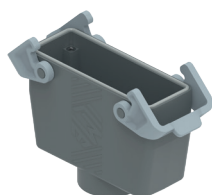


Supplied with an open threaded entry and diametrically opposite a closed threaded entry which can be opened by the user if required (with suitable tool).

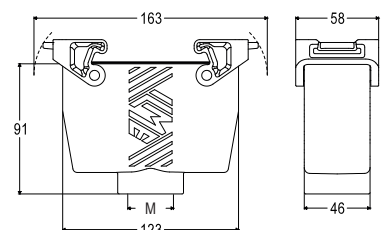
M32  
M40



Hoods, 2 levers and gasket,  
top entry, high construction [TAVW 24 G32](#)  
[TAVW 24 G40](#)

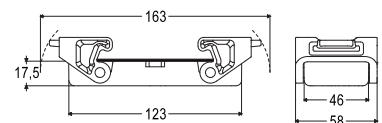
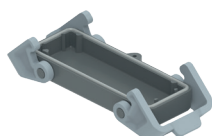


M32  
M40



Covers, 2 levers and gasket [THCW 24 G](#)

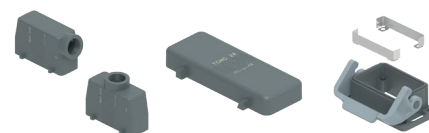
with loop



## INSERTS SIZE 104.27

## Pages

CD	CN.19	72
CDD	CN.19	81
CDSH	CN.19	89
CNE	CN.19	113
CSH	CN.19	113
CSH S	CN.19	125
CCE	CN.19	133
CMSH – CMCE	CN.19	140-141
CSS	CN.19	151
CT – CTS (10 A)*	CN.19	157
CT – CTSE (16 A)*	CN.19	163
CQE	CN.19	171
CQEE	CN.19	177
CQEY	News 2023	27
CX	CN.19	204, 206
CXC 4/8	News 2021	20
CX 8/0	News 2021	26
MIXO frames, 6-slot sized	CN.19	317



T-TYPE Hoods and PE earth jumpers - size 104.27

4 pegs

See CN.19 pages 486-487, 510

\* can be used only in bulkhead mounting housing

## New locking lever(s) design for Series JEI®-P enclosures



**New, cost-effective  
and space-saving lever(s) design  
for standard applications**



Find out more  
[www.ilme.com](http://www.ilme.com)

## TECHNICAL FEATURES

The already available series **JEI®-P** enclosures with fully plastic locking lever(s) now features the **new thermoplastic locking lever(s) design** derived from the recently introduced **IL-BRID** locking lever(s), and the offer is furtherly extended to new models.

The new lever(s) design is now applied to the standard enclosures' sizes:

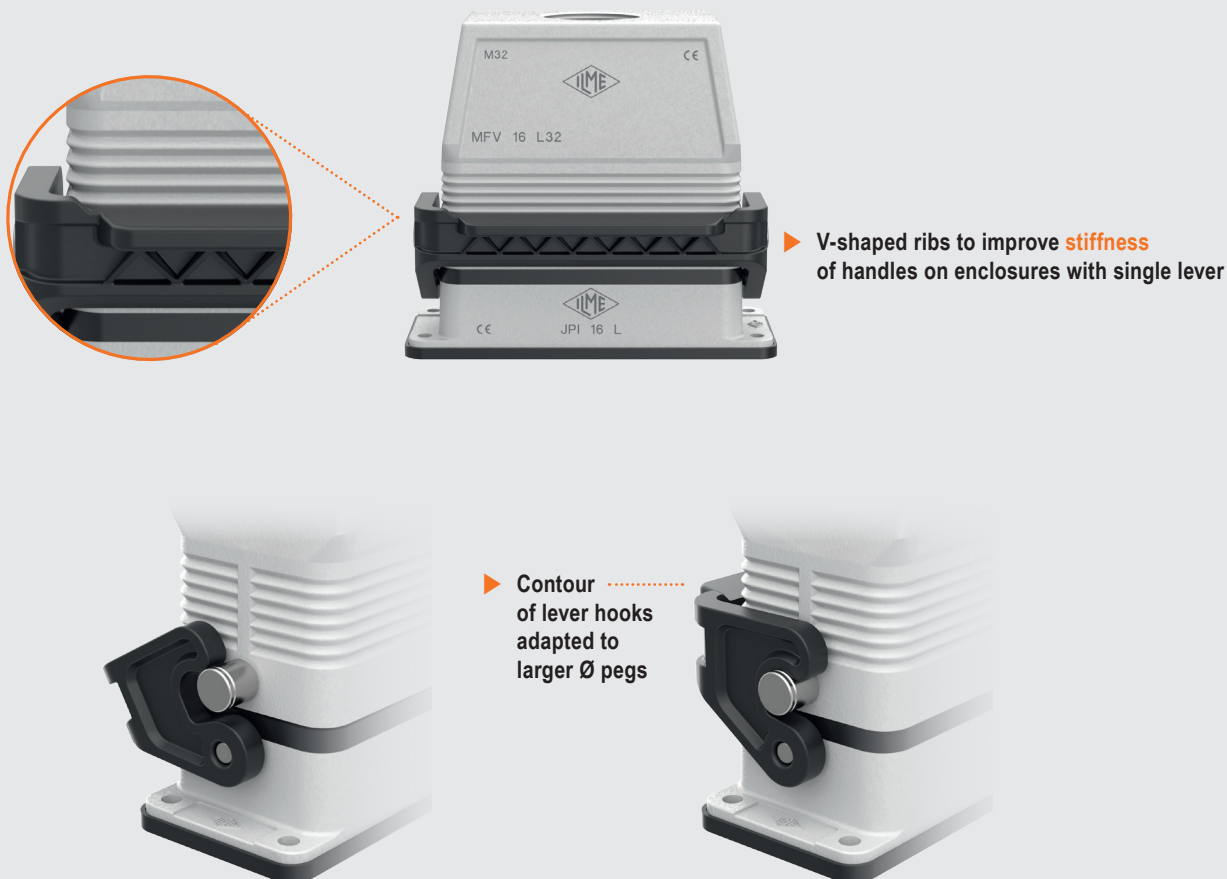
- > 44.27 with single lever, previously available with the thermoplastic lever of the T-TYPE series jet black RAL 9005 coloured instead of silver-grey RAL 7001,
- > 57.27, 77.27 and 104.27 with two levers, previously available with the thermoplastic lever of the T-TYPE series, jet black RAL 9005 coloured instead of silver-grey RAL 7001), and
- > 57.27, 77.27 and 104.27 with single lever, **previously not available**.

**JEI®-P housings** are also available equipped with 3-position aluminium (metal) hinged cover.

✍ NOTE – This new more compact lever design is not suitable for 3-position insulating hinged plastic covers, nor for hinged covers of the Simplex, self-closing type, due to interference with the protruding "hat" edge of such covers.

### MARKINGS AND APPROVALS

- **CE** and **UKCA** markings, EAC not applicable
- cURus (ECBT2/ECBT8), Type 12, 4 and 4X pending
- CQC, DNV and BV (as accessories) pending
- **RoHS**: compliant



# JEI®-P Series – Standard applications

## Housings – 1 thermoplastic lever – with gasket


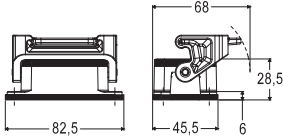

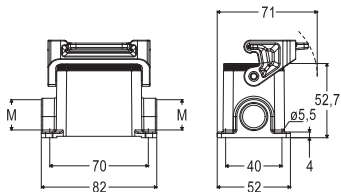

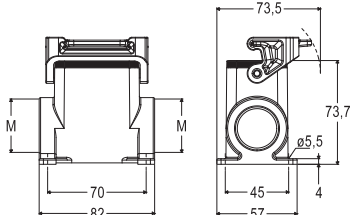
size **44.27**
**Standard Heavy Duty  
applications**

**CE UK  
CA**

CQC, DNV, BV pending

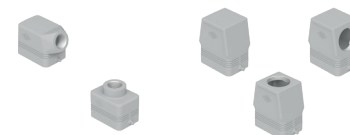
cURus pending

EN 60529	IP65
UL 50 / UL 50E	Type 4/4X/12
Ambient temperature limits	-40 °C ... +125 °C
Mechanical life	≥ 500 cycles

Item	Description	Part No.	Entry	Dimensions
	Bulkhead mounting housings, 1 lever and gasket	<a href="#">JPI 06 L</a>		
	Surface mounting housings, 1 lever and gasket	<a href="#">JMPP 06 L20</a> <a href="#">JMPP 06 L220</a>	M20 M20 × 2	
	Surface mounting housings, 1 lever and gasket, high construction	<a href="#">JMPAP 06 L25</a> <a href="#">JMPAP 06L225</a> <a href="#">JMPAP 06 L32</a> <a href="#">JMPAP 06L232</a> <a href="#">JMPAP 06 L40</a> <a href="#">JMPAP 06L240</a>	M25 M25 × 2 M32 M32 × 2 M40 M40 × 2	

**INSERTS SIZE 44.27**
**Pages**

CDD	CN.19	76
CDSH	CN.19	86
CDSH NC	CN.19	95
CNE	CN.19	110
CSH	CN.19	110
CSH S	CN.19	122
CCE	CN.19	130
CSS	CN.19	148
CT (16 A)*	CN.19	160
CTSE (16 A)*	CN.19	160
CQE	CN.19	168
CQEY	News 2023	24
MIXO frames, 2-slot sized	CN.19	317


**Class Series Hoods - size 44.27**
**2 pegs**

See CN.19 pages 389, 392

\* can be used only in bulkhead mounting housing

# JEI®-P Series – Standard applications

size **44.27**

Hoods and covers – 1 thermoplastic lever – with gasket


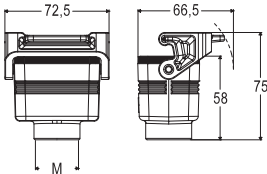

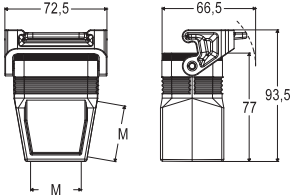

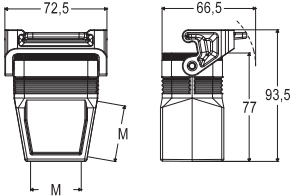


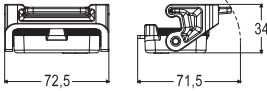
Standard Heavy Duty applications



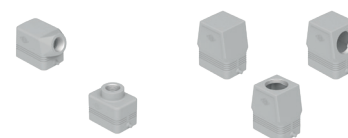
CQC, DNV, BV pending

cURus pending

EN 60529	IP65
UL 50 / UL 50E	Type 4/4X/12
Ambient temperature limits	-40 °C ... +125 °C
Mechanical life	≥ 500 cycles

Item	Description	Part No.	Entry	Dimensions
	Hoods, 1 lever and gasket, top entry	<a href="#">JMPV 06 LG25</a>	M25	
	Hoods, 1 lever and gasket, top entry, high construction	<a href="#">JMPFV 06LG25</a> <a href="#">JMPFV 06LG32</a> <a href="#">JMPFV 06LG40</a>	M25 M32 M40	
	Hoods, 1 lever and gasket, side entry, high construction	<a href="#">JMPFO 06LG40</a>	M40	
	Covers, 1 lever and gasket with loop 	<a href="#">JPC 06 LG</a>		

INSERTS SIZE 44.27		Pages
CDD	CN.19	76
CDSH	CN.19	86
CDSH NC	CN.19	95
CNE	CN.19	110
CSH	CN.19	110
CSH S	CN.19	122
CCE	CN.19	130
CSS	CN.19	148
CQE	CN.19	168
CQEY	News 2023	24
MIXO frames, 2-slot sized	CN.19	317



**Class Series Hoods - size 44.27**  
2 pegs  
See CN.19 pages 389, 392

# JEI®-P Series – Standard applications

## Housings – 1 thermoplastic lever – with gasket


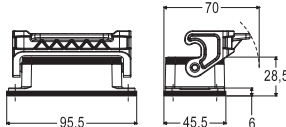

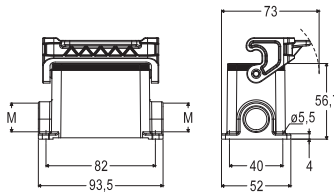

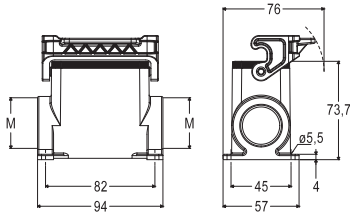
size **57.27**
**Standard Heavy Duty  
applications**

**CE UK  
CA**

CQC, DNV, BV pending

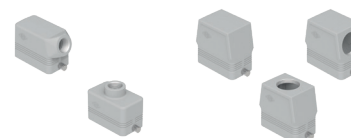
cURus pending

EN 60529	IP65
UL 50 / UL 50E	Type 4/4X/12
Ambient temperature limits	-40 °C ... +125 °C
Mechanical life	≥ 500 cycles

Item	Description	Part No.	Entry	Dimensions
	Bulkhead mounting housings, 1 lever and gasket	<a href="#">JPI 10 L</a>		
	Surface mounting housings, 1 lever and gasket	<a href="#">JMPP 10 L20</a> <a href="#">JMPP 10 L220</a>	M20 M20 × 2	
	Surface mounting housings, 1 lever and gasket, high construction	<a href="#">JMPAP 10 L25</a> <a href="#">JMPAP 10L225</a> <a href="#">JMPAP 10 L32</a> <a href="#">JMPAP 10L232</a> <a href="#">JMPAP 10 L40</a> <a href="#">JMPAP 10L240</a>	M25 M25 × 2 M32 M32 × 2 M40 M40 × 2	

**INSERTS SIZE 57.27**
**Pages**

CDD	CN.19	78
CDSH	CN.19	87
CNE	CN.19	111
CSH	CN.19	111
CSH S	CN.19	123
CCE	CN.19	131
CMSH	CN.19	136
CMCE	CN.19	137
CSS	CN.19	149
CT (16 A)*	CN.19	161
CTSE (16 A)*	CN.19	161
CQE	CN.19	169
CQEY	News 2023	25
CX	CN.19	194
MIXO frames, 3-slot sized	CN.19	317


**Class Series Hoods - size 57.27**
**2 pegs**

See CN.19 pages 396, 401

\* can be used only in bulkhead mounting housing

# JEI®-P Series – Standard applications

size **57.27**

Hoods and covers – 1 thermoplastic lever – with gasket

Standard Heavy Duty applications


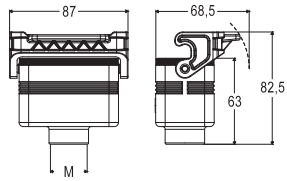

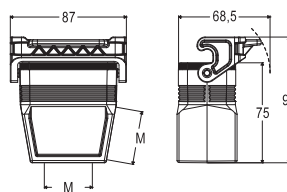

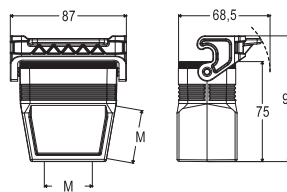

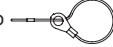
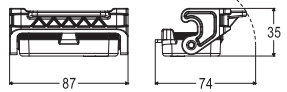


CE UK CA

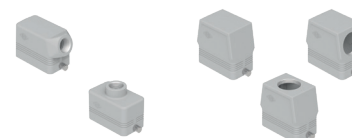
CQC, DNV, BV pending

cURus pending

EN 60529	IP65
UL 50 / UL 50E	Type 4/4X/12
Ambient temperature limits	-40 °C ... +125 °C
Mechanical life	≥ 500 cycles

Item	Description	Part No.	Entry	Dimensions
	Hoods, 1 lever and gasket, top entry	<b>JMPV 10 LG25</b>	M25	
	Hoods, 1 lever and gasket, top entry, high construction	<b>JMPFV 10LG25</b> <b>JMPFV 10LG32</b> <b>JMPFV 10LG40</b>	M25 M32 M40	
	Hoods, 1 lever and gasket, side entry, high construction	<b>JMPFO 10LG40</b>	M40	
	Covers, 1 lever and gasket with loop 	<b>JPC 10 LG</b>		

INSERTS SIZE 57.27		Pages
CDD	CN.19	78
CDSH	CN.19	87
CNE	CN.19	111
CSH	CN.19	111
CSH S	CN.19	123
CCE	CN.19	131
CMSH	CN.19	136
CMCE	CN.19	137
CSS	CN.19	149
CQE	CN.19	169
CQEY	News 2023	25
CX	CN.19	194
MIXO frames, 3-slot sized	CN.19	317



**Class Series Hoods - size 57.27**  
2 pegs  
See CN.19 pages 396, 401

# JEI®-P Series – Standard applications

## Housings – 2 thermoplastic levers – with gasket


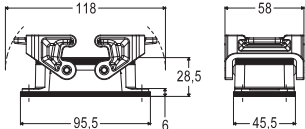

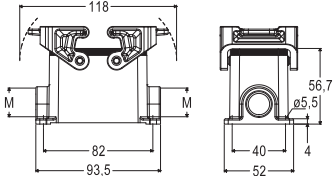

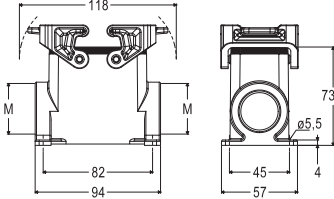
size **57.27**
**Standard Heavy Duty  
applications**

**CE UK  
CA**

CQC, DNV, BV pending

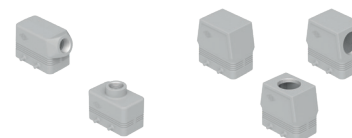
cURus pending

EN 60529	IP65
UL 50 / UL 50E	Type 4/4X/12
Ambient temperature limits	-40 °C ... +125 °C
Mechanical life	≥ 500 cycles

Item	Description	Part No.	Entry	Dimensions
	Bulkhead mounting housings, 2 levers and gasket	<a href="#">JPI 10</a>		
	Surface mounting housings, 2 levers and gasket	<a href="#">JMPP 10.20</a> <a href="#">JMPP 10.220</a>	M20 M20 × 2	
	Surface mounting housings, 2 levers and gasket, high construction	<a href="#">JMPAP 10.25</a> <a href="#">JMPAP 10.225</a> <a href="#">JMPAP 10.32</a> <a href="#">JMPAP 10.232</a> <a href="#">JMPAP 10.40</a> <a href="#">JMPAP 10.240</a>	M25 M25 × 2 M32 M32 × 2 M40 M40 × 2	

**INSERTS SIZE 57.27**
**Pages**

CDD	CN.19	78
CDSH	CN.19	87
CNE	CN.19	111
CSH	CN.19	111
CSH S	CN.19	123
CCE	CN.19	131
CMSH	CN.19	136
CMCE	CN.19	137
CSS	CN.19	149
CT (16 A)*	CN.19	161
CTSE (16 A)*	CN.19	161
CQE	CN.19	169
CQEY	News 2023	25
CX	CN.19	194
MIXO frames, 3-slot sized	CN.19	317


**Class Series Hoods - size 57.27**
**4 pegs**

See CN.19 pages 395, 401

\* can be used only in bulkhead mounting housing



# JEI®-P Series – Standard applications

size **57.27**

Hoods and covers – 2 thermoplastic levers – with gasket



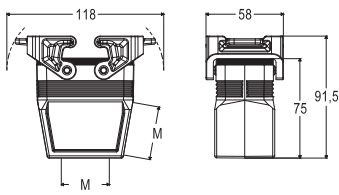

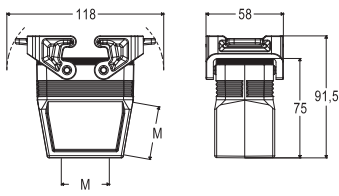

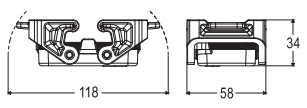
Standard Heavy Duty applications



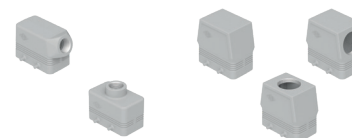
CQC, DNV, BV pending

cURus pending

EN 60529	IP65
UL 50 / UL 50E	Type 4/4X/12
Ambient temperature limits	-40 °C ... +125 °C
Mechanical life	≥ 500 cycles

Item	Description	Part No.	Entry	Dimensions
	Hoods, 2 levers and gasket, top entry	<a href="#">JMPV 10 G25</a>	M25	
	Hoods, 2 levers and gasket, top entry, high construction	<a href="#">JMPFV 10 G25</a> <a href="#">JMPFV 10 G32</a> <a href="#">JMPFV 10 G40</a>	M25 M32 M40	
	Hoods, 2 levers and gasket, side entry, high construction	<a href="#">JMPFO 10 G40</a>	M40	
	Covers, 2 levers and gasket with loop 	<a href="#">JPC 10 G</a>		

INSERTS SIZE 57.27		Pages
CDD	CN.19	78
CDSH	CN.19	87
CNE	CN.19	111
CSH	CN.19	111
CSH S	CN.19	123
CCE	CN.19	131
CMSH	CN.19	136
CMCE	CN.19	137
CSS	CN.19	149
CQE	CN.19	169
CQEY	News 2023	25
CX	CN.19	194
MIXO frames, 3-slot sized	CN.19	317



**Class Series Hoods - size 57.27**  
4 pegs  
See CN.19 pages 395, 401

# JEI®-P Series – Standard applications

## Housings – 1 thermoplastic lever – with gasket


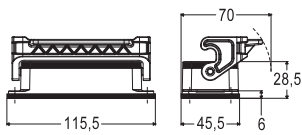

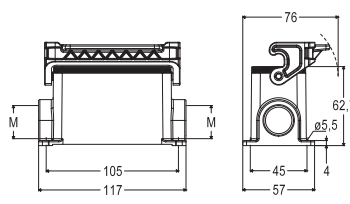

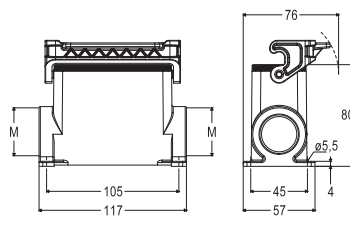
size **77.27**
**Standard Heavy Duty  
applications**

**CE UK  
CA**

CQC, DNV, BV pending

cURus pending

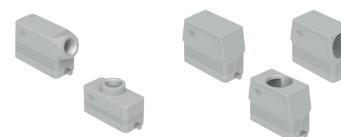
EN 60529	IP65
UL 50 / UL 50E	Type 4/4X/12
Ambient temperature limits	-40 °C ... +125 °C
Mechanical life	≥ 500 cycles

Item	Description	Part No.	Entry	Dimensions
	Bulkhead mounting housings, 1 lever and gasket	<a href="#">JPI 16 L</a>		
	Surface mounting housings, 1 lever and gasket	<a href="#">JMPP 16 L25</a> <a href="#">JMPP 16 L225</a>	M25 M25 × 2	
	Surface mounting housings, 1 lever and gasket, high construction	<a href="#">JMPAP 16 L25</a> <a href="#">JMPAP 16L225</a> <a href="#">JMPAP 16 L32</a> <a href="#">JMPAP 16L232</a> <a href="#">JMPAP 16 L40</a> <a href="#">JMPAP 16L240</a>	M25 M25 × 2 M32 M32 × 2 M40 M40 × 2	

### INSERTS SIZE 77.27

		Pages
CD	CN.19	70
CDD	CN.19	79
CDSH	CN.19	88
CNE	CN.19	112
CSH - CSH S	CN.19	112, 124
CCE	CN.19	132
CMSH – CMCE	CN.19	138-139
CSS	CN.19	150
CT – CTS (10 A)*	CN.19	156
CT – CTSE (16 A)*	CN.19	162
CQE	CN.19	170
CQEE	CN.19	176
CQEY	News 2023	26
CP	CN.19	178
CX	CN.19	197-201
CX 9/42	News 2020	20
CXC 4/2	News 2021	16
MIXO frames, 4-slot sized	CN.19	317

\* can be used only in bulkhead mounting housing



### Class Series Hoods - 77.27

**2 pegs**

See CN.19 pages 405, 411

# JEI®-P Series – Standard applications

size **77.27**

Hoods and covers – 1 thermoplastic lever – with gasket


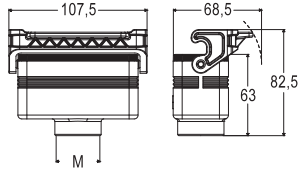

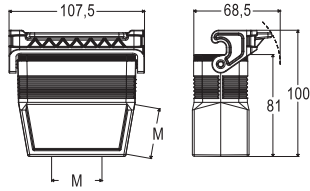

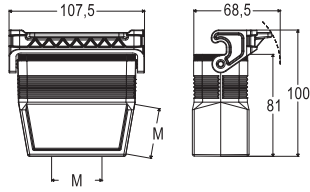


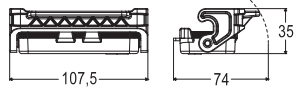
Standard Heavy Duty applications



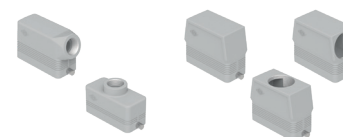
CQC, DNV, BV pending

cURus pending

EN 60529	IP65
UL 50 / UL 50E	Type 4/4X/12
Ambient temperature limits	-40 °C ... +125 °C
Mechanical life	≥ 500 cycles

Item	Description	Part No.	Entry	Dimensions
	Hoods, 1 lever and gasket, top entry	<b>JMPV 16 LG32</b>	M32	
	Hoods, 1 lever and gasket, top entry, high construction	<b>JMPFV 16LG25</b> <b>JMPFV 16LG32</b> <b>JMPFV 16LG40</b>	M25 M32 M40	
	Hoods, 1 lever and gasket, side entry, high construction	<b>JMPFO 16LG40</b>	M40	
	Covers, 1 lever and gasket with loop 	<b>JPC 16 LG</b>		

INSERTS SIZE 77.27		Pages
CD	CN.19	70
CDD	CN.19	79
CDSH	CN.19	88
CNE	CN.19	112
CSH - CSH S	CN.19	112, 124
CCE	CN.19	132
CMSH – CMCE	CN.19	138-139
CSS	CN.19	150
CQE	CN.19	170
CQEE	CN.19	176
CQEY	News 2023	26
CP	CN.19	178
CX	CN.19	197-201
CX 9/42	News 2020	20
CXC 4/2	News 2021	16
MIXO frames, 4-slot sized	CN.19	317



**Class Series Hoods - 77.27**  
2 pegs  
See CN.19 pages 405, 411

# JEI®-P Series – Standard applications

## Housings – 2 thermoplastic levers – with gasket


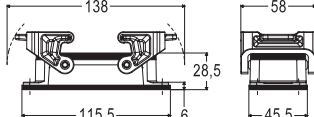

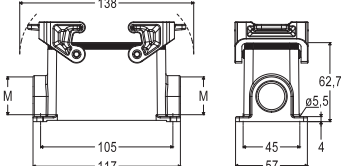

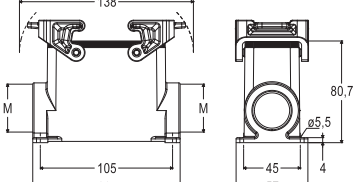
size **77.27**
**Standard Heavy Duty  
applications**

**CE UK  
CA**

CQC, DNV, BV pending

cURus pending

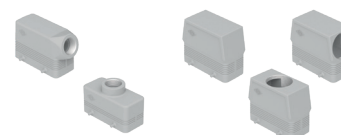
EN 60529	IP65
UL 50 / UL 50E	Type 4/4X/12
Ambient temperature limits	-40 °C ... +125 °C
Mechanical life	≥ 500 cycles

Item	Description	Part No.	Entry	Dimensions
	Bulkhead mounting housings, 2 levers and gasket	<a href="#">JPI 16</a>		
	Surface mounting housings, 2 levers and gasket	<a href="#">JMPP 16.25</a> <a href="#">JMPP 16.225</a>	M25 M25 × 2	
	Surface mounting housings, 2 levers and gasket, high construction	<a href="#">JMPAP 16.25</a> <a href="#">JMPAP 16.225</a> <a href="#">JMPAP 16.32</a> <a href="#">JMPAP 16.232</a> <a href="#">JMPAP 16.40</a> <a href="#">JMPAP 16.240</a>	M25 M25 × 2 M32 M32 × 2 M40 M40 × 2	

**INSERTS SIZE 77.27**
**Pages**

CD	CN.19	70
CDD	CN.19	79
CDSH	CN.19	88
CNE	CN.19	112
CSH - CSH S	CN.19	112, 124
CCE	CN.19	132
CMSH – CMCE	CN.19	138-139
CSS	CN.19	150
CT – CTS (10 A)*	CN.19	156
CT – CTSE (16 A)*	CN.19	162
CQE	CN.19	170
CQEE	CN.19	176
CQEY	News 2023	26
CP	CN.19	178
CX	CN.19	197-201
CX 9/42	News 2020	20
CXC 4/2	News 2021	16
MIXO frames, 4-slot sized	CN.19	317

\* can be used only in bulkhead mounting housing


**Class Series Hoods - 77.27**
**4 pegs**

See CN.19 pages 404, 411

# JEI®-P Series – Standard applications

size **77.27**

Hoods and covers – 2 thermoplastic levers – with gasket

Standard Heavy Duty applications


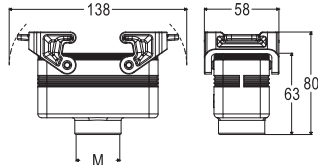

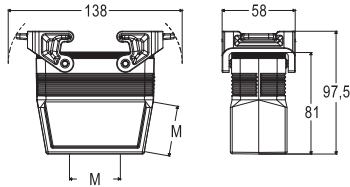

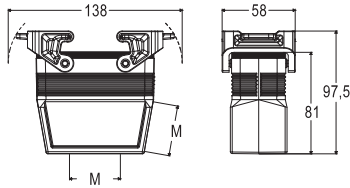


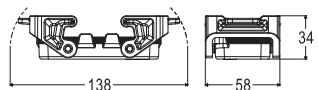


CE UK CA

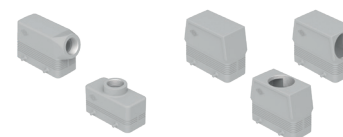
CQC, DNV, BV pending

cURus pending

EN 60529	IP65
UL 50 / UL 50E	Type 4/4X/12
Ambient temperature limits	-40 °C ... +125 °C
Mechanical life	≥ 500 cycles

Item	Description	Part No.	Entry	Dimensions
	Hoods, 2 levers and gasket, top entry	<a href="#">JMPV 16 G32</a>	M32	
	Hoods, 2 levers and gasket, top entry, high construction	<a href="#">JMPFV 16 G25</a> <a href="#">JMPFV 16 G32</a> <a href="#">JMPFV 16 G40</a>	M25 M32 M40	
	Hoods, 2 levers and gasket, side entry, high construction	<a href="#">JMPFO 16 G40</a>	M40	
	Covers, 2 levers and gasket with loop 	<a href="#">JPC 16 G</a>		

INSERTS SIZE 77.27		Pages
CD	CN.19	70
CDD	CN.19	79
CDSH	CN.19	88
CNE	CN.19	112
CSH - CSH S	CN.19	112, 124
CCE	CN.19	132
CMSH – CMCE	CN.19	138-139
CSS	CN.19	150
CQE	CN.19	170
CQEE	CN.19	176
CQEY	News 2023	26
CP	CN.19	178
CX	CN.19	197-201
CX 9/42	News 2020	20
CXC 4/2	News 2021	16
MIXO frames, 4-slot sized	CN.19	317



**Class Series Hoods - 77.27**  
4 pegs  
See CN.19 pages 404, 411

# JEI®-P Series – Standard applications

## Housings – 1 thermoplastic lever – with gasket


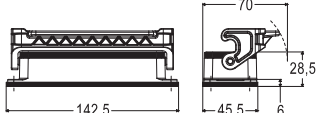

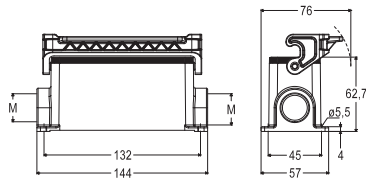

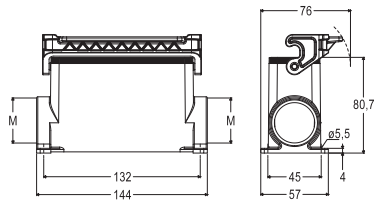
size **104.27**
**Standard Heavy Duty  
applications**

**CE UK  
CA**

CQC, DNV, BV pending

cURus pending

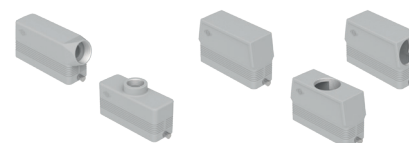
EN 60529	IP65
UL 50 / UL 50E	Type 4/4X/12
Ambient temperature limits	-40 °C ... +125 °C
Mechanical life	≥ 500 cycles

Item	Description	Part No.	Entry	Dimensions
	Bulkhead mounting housings, 1 lever and gasket	<a href="#">JPI 24 L</a>		
	Surface mounting housings, 1 lever and gasket	<a href="#">JMPP 24 L25</a> <a href="#">JMPP 24 L225</a>	M25 M25 × 2	
	Surface mounting housings, 1 lever and gasket, high construction	<a href="#">JMPAP 24 L25</a> <a href="#">JMPAP 24L225</a> <a href="#">JMPAP 24 L32</a> <a href="#">JMPAP 24L232</a> <a href="#">JMPAP 24 L40</a> <a href="#">JMPAP 24L240</a>	M25 M25 × 2 M32 M32 × 2 M40 M40 × 2	

**INSERTS SIZE 104.27**
**Pages**

CD	CN.19	72
CDD	CN.19	81
CDSH	CN.19	89
CNE	CN.19	113
CSH	CN.19	113
CSH S	CN.19	125
CCE	CN.19	133
CMSH – CMCE	CN.19	140-141
CSS	CN.19	151
CT – CTS (10 A)*	CN.19	157
CT – CTSE (16 A)*	CN.19	163
CQE	CN.19	171
CQEE	CN.19	177
CQEY	News 2023	27
CX	CN.19	204, 206
CXC 4/8	News 2021	20
CX 8/0	News 2021	26
MIXO frames, 6-slot sized	CN.19	317

\* can be used only in bulkhead mounting housing


**Class Series Hoods - 104.27**
**2 pegs**

See CN.19 pages 415, 423

# JEI®-P Series – Standard applications

size **104.27**

Hoods and covers – 1 thermoplastic lever – with gasket


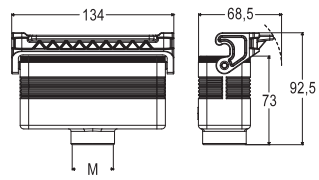

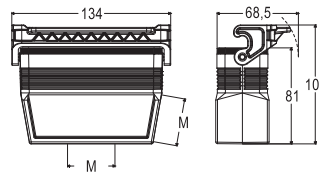

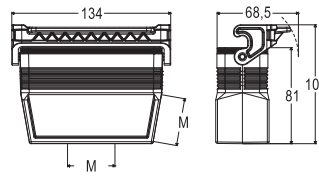


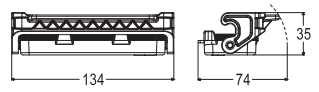
Standard Heavy Duty applications



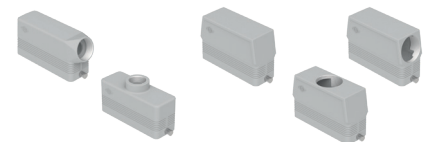
CQC, DNV, BV pending

cURus pending

EN 60529	IP65
UL 50 / UL 50E	Type 4/4X/12
Ambient temperature limits	-40 °C ... +125 °C
Mechanical life	≥ 500 cycles

Item	Description	Part No.	Entry	Dimensions
	Hoods, 1 lever and gasket, top entry	<b>JMPV 24 LG32</b>	M32	
	Hoods, 1 lever and gasket, top entry, high construction	<b>JMPFV 24LG25</b> <b>JMPFV 24LG32</b> <b>JMPFV 24LG40</b>	M25 M32 M40	
	Hoods, 1 lever and gasket, side entry, high construction	<b>JMPFO 24LG40</b>	M40	
	Covers, 1 lever and gasket with loop 	<b>JPC 24 LG</b>		

INSERTS SIZE 104.27		Pages
CD	CN.19	72
CDD	CN.19	81
CDSH	CN.19	89
CNE	CN.19	113
CSH	CN.19	113
CSH S	CN.19	125
CCE	CN.19	133
CMSH – CMCE	CN.19	140-141
CSS	CN.19	151
CQE	CN.19	171
CQEE	CN.19	177
CQEY	News 2023	27
CX	CN.19	204, 206
CXC 4/8	News 2021	20
CX 8/0	News 2021	26
MIXO frames, 6-slot sized	CN.19	317



**Class Series Hoods - 104.27**  
2 pegs  
See CN.19 pages 415, 423

# JEI®-P Series – Standard applications

## Housings – 2 thermoplastic levers – with gasket


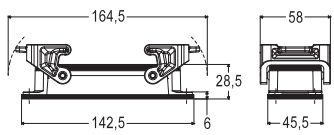

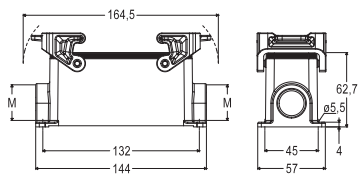

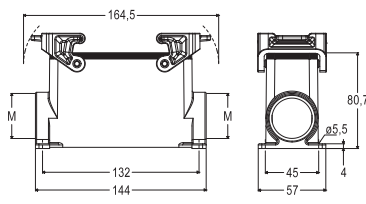
size **104.27**
**Standard Heavy Duty  
applications**

**CE UK  
CA**

CQC, DNV, BV pending

cURus pending

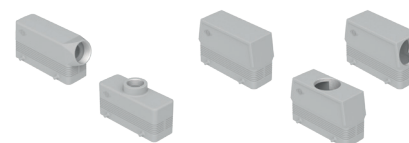
EN 60529	IP65
UL 50 / UL 50E	Type 4/4X/12
Ambient temperature limits	-40 °C ... +125 °C
Mechanical life	≥ 500 cycles

Item	Description	Part No.	Entry	Dimensions
	Bulkhead mounting housings, 2 levers and gasket	<a href="#">JPI 24</a>		
	Surface mounting housings, 2 levers and gasket	<a href="#">JMPP 24.25</a> <a href="#">JMPP 24.225</a>	M25 M25 × 2	
	Surface mounting housings, 2 levers and gasket, high construction	<a href="#">JMPAP 24.25</a> <a href="#">JMPAP 24.225</a> <a href="#">JMPAP 24.32</a> <a href="#">JMPAP 24.232</a> <a href="#">JMPAP 24.40</a> <a href="#">JMPAP 24.240</a>	M25 M25 × 2 M32 M32 × 2 M40 M40 × 2	

**INSERTS SIZE 104.27**
**Pages**

CD	CN.19	72
CDD	CN.19	81
CDSH	CN.19	89
CNE	CN.19	113
CSH	CN.19	113
CSH S	CN.19	125
CCE	CN.19	133
CMSH – CMCE	CN.19	140-141
CSS	CN.19	151
CT – CTS (10 A)*	CN.19	157
CT – CTSE (16 A)*	CN.19	163
CQE	CN.19	171
CQEE	CN.19	177
CQEY	News 2023	27
CX	CN.19	204, 206
CXC 4/8	News 2021	20
CX 8/0	News 2021	26
MIXO frames, 6-slot sized	CN.19	317

\* can be used only in bulkhead mounting housing


**Class Series Hoods - 104.27**
**4 pegs**

See CN.19 pages 414, 423



# JEI®-P Series – Standard applications

size **104.27**

Hoods and covers – 2 thermoplastic levers – with gasket


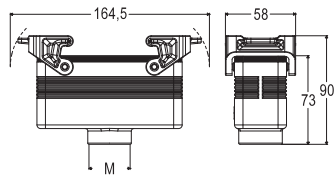

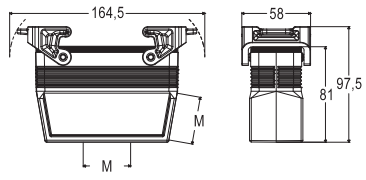

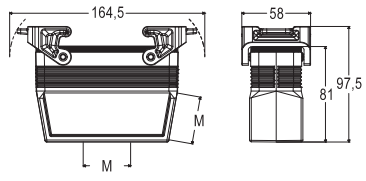


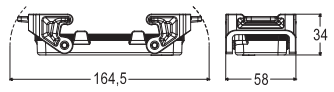
Standard Heavy Duty applications



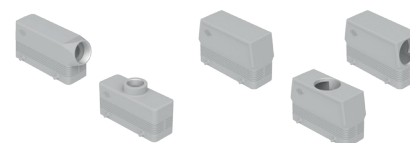
CQC, DNV, BV pending

cURus pending

EN 60529	IP65
UL 50 / UL 50E	Type 4/4X/12
Ambient temperature limits	-40 °C ... +125 °C
Mechanical life	≥ 500 cycles

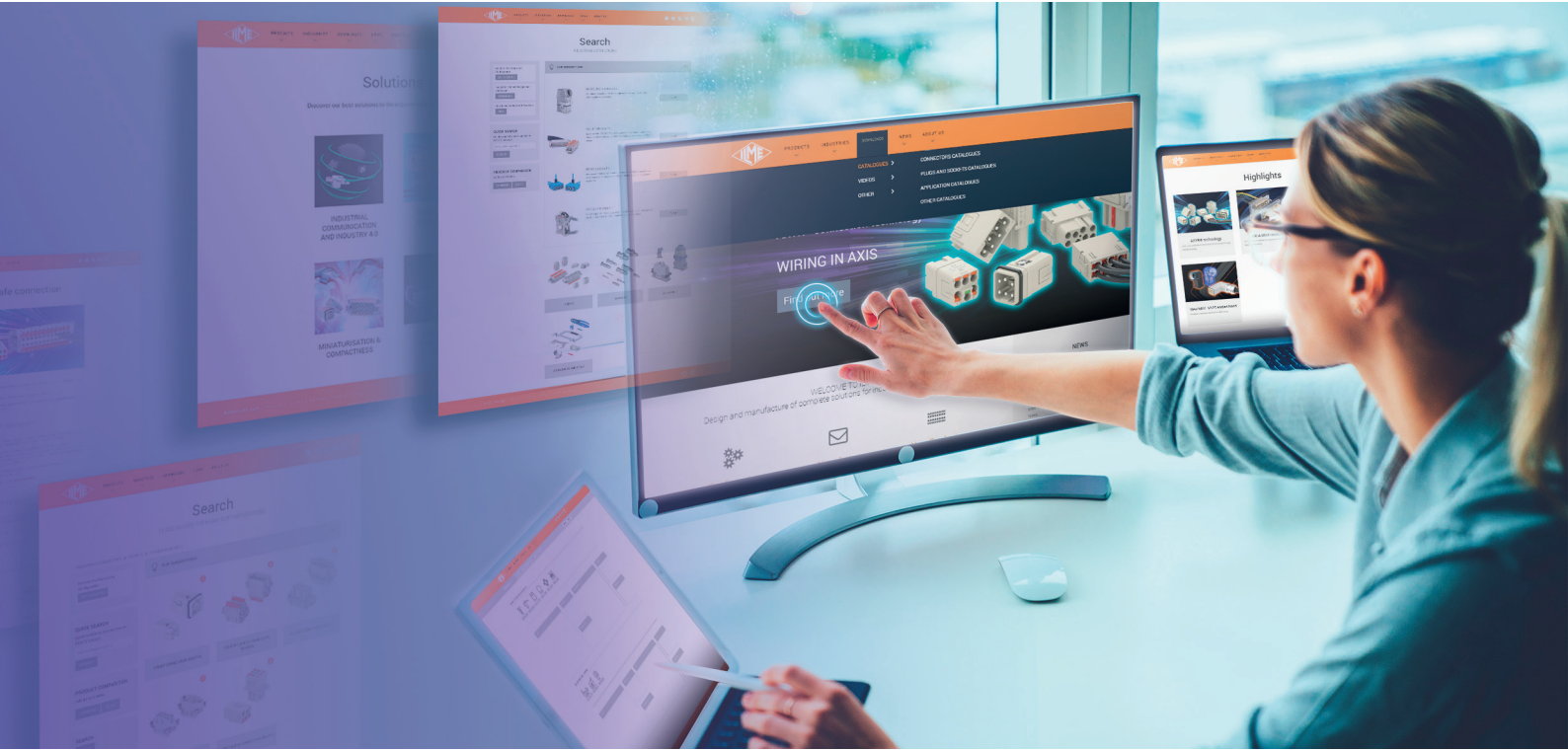
Item	Description	Part No.	Entry	Dimensions
	Hoods, 2 levers and gasket, top entry	<a href="#">JMPV 24 G32</a>	M32	
	Hoods, 2 levers and gasket, top entry, high construction	<a href="#">JMPFV 24 G25</a> <a href="#">JMPFV 24 G32</a> <a href="#">JMPFV 24 G40</a>	M25 M32 M40	
	Hoods, 2 levers and gasket, side entry, high construction	<a href="#">JMPFO 24 G40</a>	M40	
	Covers, 2 levers and gasket with loop 	<a href="#">JPC 24 G</a>		

INSERTS SIZE 104.27		Pages
CD	CN.19	72
CDD	CN.19	81
CDSH	CN.19	89
CNE	CN.19	113
CSH	CN.19	113
CSH S	CN.19	125
CCE	CN.19	133
CMSH – CMCE	CN.19	140-141
CSS	CN.19	151
CQE	CN.19	171
CQEE	CN.19	177
CQEY	News 2023	27
CX	CN.19	204, 206
CXC 4/8	News 2021	20
CX 8/0	News 2021	26
MIXO frames, 6-slot sized	CN.19	317



**Class Series Hoods - 104.27**  
4 pegs  
See CN.19 pages 414, 423

Visit **ilme.com** website to discover all the main features:



### Technical Datasheets

to get all the information about our products.



### Download Area

to find all the useful files in a click.

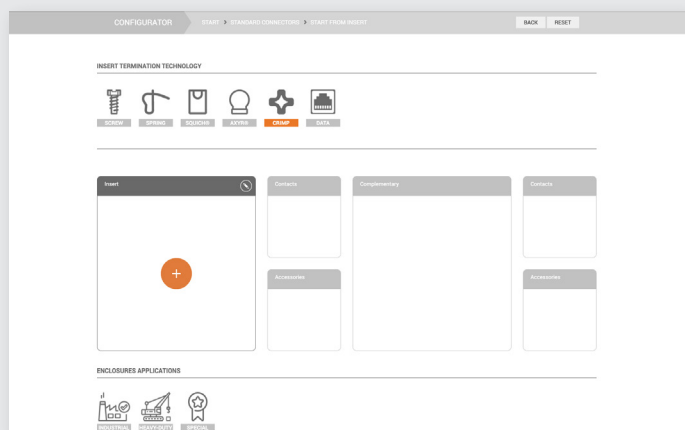


### Live Chat Tool

new integrated customer service platform to answer your questions faster.

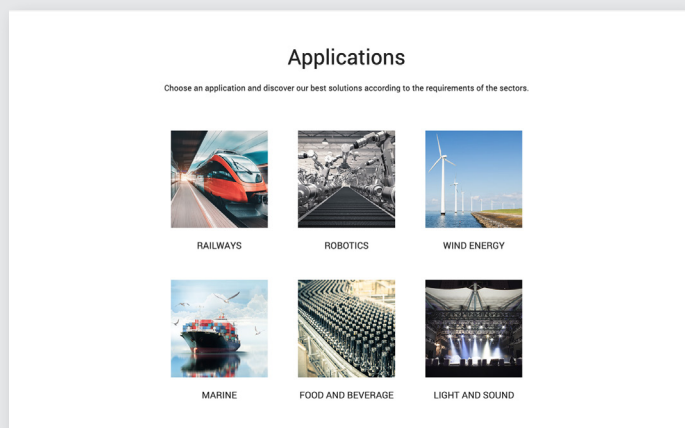


Discover new functions and pages to work with us even easier:



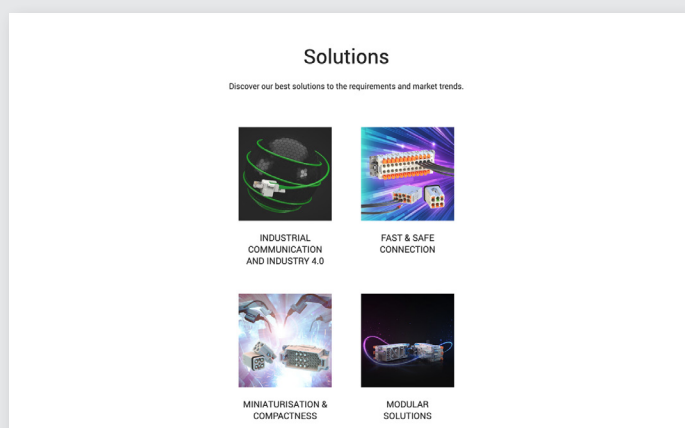
## Configurator

Over 50 million connector combinations, in just a few clicks.



## Application pages

Focus on installation locations, field requirements and technical details.



## Solutions

Focus on our key solutions, watching market needs and trends.

**C**

CDYF 07.....	18
CDYF 08.....	19
CDYM 07.....	18
CDYM 08.....	19
CGFA 10.....	30
CGFA 16.....	30
CGFA 25.....	30
CGFA 35.....	30
CGMA 10.....	30
CGMA 16.....	30
CGMA 25.....	30
CGMA 35.....	30
CJZ 8 IA4N.....	66
CK 03 IA4.....	56
CK 03 IA4N.....	56
CKH 03 IA4.....	62
CKX 03 IA4.....	56
CR 05 CA.....	53
CR 06 STA.....	52
CR 10 CA.....	53
CR 10 STA.....	52
CR 16 STA.....	52
CR 24 STA.....	52
CR CKT.....	70
CX 01 GPEF.....	30
CX 01 GPEM.....	30
CX 01 TPF.....	40
CX 01 TPM.....	40
CX 02 PDF.....	44
CX 02 PDM.....	44
CX 03 PDF.....	45
CX 03 PDM.....	45
CX 04 PDF.....	46
CX 04 PDM.....	46
CX 06 PDF.....	47
CX 06 PDM.....	47
CX 12 DYF.....	21
CX 12 DYM.....	21
CXA 02 IA.....	36
CX APE.....	40

**J**

JMPAP 06 L25.....	84
JMPAP 06 L32.....	84
JMPAP 06 L40.....	84
JMPAP 06L225.....	84
JMPAP 06L232.....	84

JMPAP 06L240.....	84
JMPAP 10.25.....	88
JMPAP 10.32.....	88
JMPAP 10.40.....	88
JMPAP 10.225.....	88
JMPAP 10.232.....	88
JMPAP 10.240.....	88
JMPAP 10 L25.....	86
JMPAP 10 L32.....	86
JMPAP 10 L40.....	86
JMPAP 10L225.....	86
JMPAP 10L232.....	86
JMPAP 10L240.....	86
JMPAP 16.25.....	92
JMPAP 16.32.....	92
JMPAP 16.40.....	92
JMPAP 16.225.....	92
JMPAP 16.232.....	92
JMPAP 16.240.....	92
JMPAP 16 L25.....	90
JMPAP 16 L32.....	90
JMPAP 16 L40.....	90
JMPAP 16L225.....	90
JMPAP 16L232.....	90
JMPAP 16L240.....	90
JMPAP 24.25.....	96
JMPAP 24.32.....	96
JMPAP 24.40.....	96
JMPAP 24.225.....	96
JMPAP 24.232.....	96
JMPAP 24.240.....	96
JMPAP 24 L25.....	94
JMPAP 24 L32.....	94
JMPAP 24 L40.....	94
JMPAP 24L225.....	94
JMPAP 24L232.....	94
JMPAP 24L240.....	94
JMPFO 06LG40.....	85
JMPFO 10 G40.....	89
JMPFO 10LG40.....	87
JMPFO 16 G40.....	93
JMPFO 16LG40.....	91
JMPFO 24 G40.....	97
JMPFO 24LG40.....	95
JMPFV 06LG25.....	85
JMPFV 06LG32.....	85
JMPFV 06LG40.....	85
JMPFV 10 G25.....	89
JMPFV 10 G32.....	89
JMPFV 10 G40.....	89

JMPFV 10LG25.....	87
JMPFV 10LG32.....	87
JMPFV 10LG40.....	87
JMPFV 16 G25.....	93
JMPFV 16 G32.....	93
JMPFV 16 G40.....	93
JMPFV 16LG25.....	91
JMPFV 16LG32.....	91
JMPFV 16LG40.....	91
JMPFV 24 G25.....	97
JMPFV 24 G32.....	97
JMPFV 24 G40.....	97
JMPFV 24LG25.....	95
JMPFV 24LG32.....	95
JMPFV 24LG40.....	95
JMPP 06 L20.....	84
JMPP 06 L220.....	84
JMPP 10.20.....	88
JMPP 10.220.....	88
JMPP 10 L20.....	86
JMPP 10 L220.....	86
JMPP 16.25.....	92
JMPP 16.225.....	92
JMPP 16 L25.....	90
JMPP 16 L225.....	90
JMPP 24.25.....	96
JMPP 24.225.....	96
JMPP 24 L25.....	94
JMPP 24 L225.....	94
JMPV 06 LG25.....	85
JMPV 10 G25.....	89
JMPV 10 LG25.....	87
JMPV 16 G32.....	93
JMPV 16 LG32.....	91
JMPV 24 G32.....	97
JMPV 24 LG32.....	95
JPC 06 LG.....	85
JPC 10 G.....	89
JPC 10 LG.....	87
JPC 16 G.....	93
JPC 16 LG.....	91
JPC 24 G.....	97
JPC 24 LG.....	95
JPI 06 L.....	84
JPI 10.....	88
JPI 10 L.....	86
JPI 16.....	92
JPI 16 L.....	90
JPI 24.....	96
JPI 24 L.....	94

\* These items are also shown in various sections throughout the catalogue

## M

MK AP25.....	58
MK APN25.....	58
MKG VA25.....	59
MKG VAN25.....	59
MKGH VA25.....	63
MKH AP25.....	62
MKH IAP25.....	62
MKH VA25.....	63
MK IAP25.....	57
MK IAPN25.....	57
MK VA25.....	59
MK VAN25.....	59
MKX AP25.....	58
MKX IAP25.....	57
MXA 02 AP25.....	36
MXA 02 AP32.....	36
MXA 02 IAP25.....	36
MXA 02 IAP32.....	36

## T

TAPW 06 L25.....	75
TAPW 06 L32.....	75
TAPW 10.25.....	77
TAPW 10.32.....	77
TAPW 16.32.....	79
TAPW 16.40.....	79
TAPW 24.32.....	81
TAPW 24.40.....	81
TAVW 06 LG25.....	75
TAVW 06 LG32.....	75
TAVW 10 G25.....	77
TAVW 10 G32.....	77
TAVW 16 G32.....	79
TAVW 16 G40.....	79
TAVW 24 G32.....	81
TAVW 24 G40.....	81
TCHC 06 LG.....	74
TCHC 10 G.....	76
TCHC 16 G.....	78
TCHC 24 G.....	80
TCHI 06 L.....	74
TCHI 10.....	76
TCHI 16.....	78
TCHI 24.....	80
THCW 06 LG.....	75
THCW 10 G.....	77
THCW 16 G.....	79

THCW 24 G.....	81
THIW 06 L.....	75
THIW 10.....	77
THIW 16.....	79
THIW 24.....	81
TMAP 06 L25.....	74
TMAP 06 L32.....	74
TMAP 10.25.....	76
TMAP 10.32.....	76
TMAP 16.32.....	78
TMAP 16.40.....	78
TMAP 24.32.....	80
TMAP 24.40.....	80
TMAV 06 LG25.....	74
TMAV 06 LG32.....	74
TMAV 10 G25.....	76
TMAV 10 G32.....	76
TMAV 16 G32.....	78
TMAV 16 G40.....	78
TMAV 24 G32.....	80
TMAV 24 G40.....	80

# Worldwide Sales Organization

## Headquarters

### **ILME S.p.A.**

Via M.A. Colonna, 9  
20149 Milano, Italia  
T +39 0234560522  
info@ilme.com

## France

### **ILME FRANCE S.A.R.L.**

431 rue Roland Garros  
Parc d'Activités de l'Aéroport  
42160 Andrézieux-Bouthéon  
T +33 04 7736 2336  
ilme-france@ilme.fr

## Germany

### **ILME GmbH**

Max-Planck-Straße 12  
51674 Wiehl  
T +49 (0)2261 7955 0  
technik@ilme.de

## Sweden

### and Nordic Countries

### **ILME NORDIC AB**

Transportvägen 18  
246 42 Löddeköpinge  
T +46 4618 2800  
support@ilme.se

## United Kingdom

### **ILME UK LIMITED**

50 Evans Road, Venture Point  
Speke, Liverpool L24 9PB  
T +44 0151 336 9321  
sales@ilmeuk.co.uk

## Czech Republic

### Representative Office

### **ILME S.p.A.**

Business Center Rokytká  
Sokolovská 270/201  
Vysocany, Praha 9, 190 00  
info@ilme.cz

## China

### **ILME CHINA CO., LTD.**

Room 101, Building 3  
188 Xinjunhuan Road, Minhang  
Shanghai 201114  
T +86 21 6248 9961  
info@ilmechina.com

## Japan

### **ILME JAPAN CO., LTD.**

K.I.B.C. Bldg 5-2  
Minatojima Minamimachi 5-Chome  
Chuo-Ku, Kobe 650-0047  
T +81 78 302 2005  
info@ilmejapan.co.jp

## South Korea

### **ILME KOREA CO.**

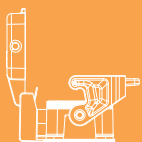
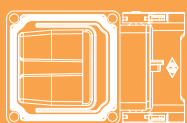
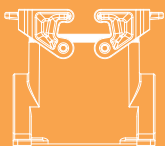
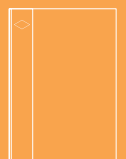
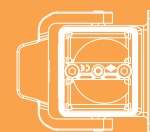
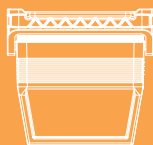
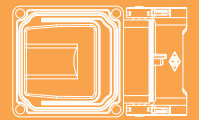
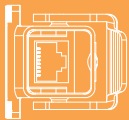
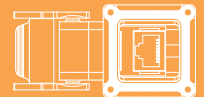
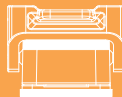
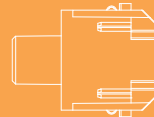
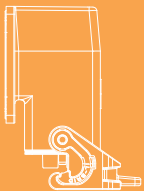
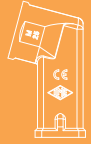
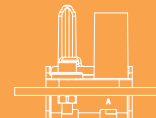
714, DaeRyung Technotown 20<sup>th</sup>  
5 Gasan Digital 1-Ro, GeumCheon-Gu  
Seoul 08594  
T +82-2-2225-8432  
sales@ilme.kr

[www.ilme.com](http://www.ilme.com)





ILME S.p.A.  
Via M.A. Colonna 9  
20149 Milano, Italy  
www.ilme.com



XDGPDT4 324

8 101574 102462

catalogues