

Messing-Verschraubungen mit durchgehendem Dichtring / brass cable glands with continuous sealing ring

GOGAFIX MS3 mit durchgehendem Dichtring / with continuous sealing ring

Material / material: Messing vernickelt / brass nickel-plated

Dichteinsatz / sealing insert: NBR oder / or Silikon / silicone

O-ring / o-ring: Perbunan (NBR)

Schutzart / protection grade: IP68

Temperaturbereich / temperature range: NBR-Version: -40°C - +100°C (kurzzeitig / short time: -40°C - +150°C),
Silikon Version / silicone version: -60°C - +180°C

| Anschluss- gewinde | Klemmbereich mm | Schlüssel- weite mm | Gewinde- länge mm | VPE Stk. | Art.Nr. NBR-Dichtung /Stk. | € /Stk. | Art.Nr. Silikon-Dichtung /Stk. | € /Stk. |
|-----------------------|--------------------|---------------------------|----------------------|-------------|----------------------------------|------------|--------------------------------------|------------|
| thread size | clamping range | spanner size | thread length | PU | part no. | /pc. | part no. | /pc. |
| M 12 x 1,5 | 4 - 6 | 14 | 6 | 50 | 231041 | 6,33 | 231041SI | a.A. |
| M 16 x 1,5 | 4 - 9 | 18 | 5 | 50 | 231042 | 7,10 | 231042SI | a.A. |
| M 20 x 1,5 | 4,5 - 12 | 22 | 6 | 50 | 231043 | 8,16 | 231043SI | a.A. |
| M 25 x 1,5 | 10 - 17,5 | 28 | 7 | 25 | 231044 | 9,53 | 231044SI | a.A. |
| M 32 x 1,5 | 14,5 - 23,5 | 35 | 8 | 25 | 231045 | 15,08 | 231045SI | a.A. |
| M 40 x 1,5 | 16,5 - 27 | 45 | 8 | 20 | 231046 | 21,90 | 231046SI | a.A. |
| M 50 x 1,5 | 34 - 38 | 58 | 9 | 10 | 231047 | a.A. | 231047SI | a.A. |
| M 63 x 1,5 | 44 - 52 | 70 | 15 | 5 | 231048 | a.A. | 231048SI | a.A. |

a. A. = auf Anfrage / upon request



GOGAFIX MSKS mit Knickschutzspirale / with metal bend protection spring

Material / material: Messing vernickelt / brass nickel-plated

Dichteinsatz / sealing insert: NBR

Klemmeinsatz / clamping insert: Polyamid / polyamide

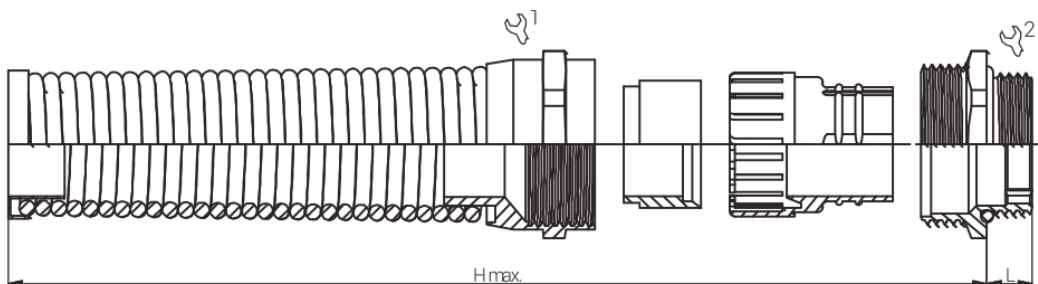
O-ring / o-ring: NBR

Biegeschutzfeder / bending protection spring: Edelstahl / stainless steel 1.4310

Schutzart / protection grade: IP68 (10 bar) / IP69K

Temperaturbereich / temperature range: -40°C - +100°C

Zulassungen / approvals: cURus, cUL, CSA



| Anschluss- gewinde | Klemmbereich mm | Schlüssel- weite mm | Gewinde- länge mm | Gesamtlänge H mm | VPE Stk. | Art.Nr. /Stk. | € /Stk. |
|-----------------------|--------------------|------------------------|----------------------|---------------------|-------------|------------------|------------|
| thread size | clamping range | spanner size | thread length | thread length | PU | part no. | /pc. |
| M12x1.5 | 2.0 - 5.0 | 14 | 6.5 | 55.0 | 50 | 231031 | 17,04 |
| M12x1.5 | 3.0 - 6.5 | 14 | 6.5 | 55.0 | 50 | 231031.1 | 17,00 |
| M16x1.5 | 2.0 - 6.0 | 19 | 6.0 | 66.0 | 50 | 231032 | 22,58 |
| M16x1.5 | 3.0 - 7.0 | 20 | 6.0 | 77.0 | 50 | 231032.1 | 24,82 |
| M16x1.5 | 4.0 - 8.0 | 19 | 6.0 | 66.0 | 50 | 231032.2 | 26,35 |
| M16x1.5 | 5.0 - 10.0 | 20 | 6.0 | 77.0 | 50 | 231032.3 | 25,03 |
| M20x1.5 | 5.0 - 9.0 | 22 | 6.0 | 88.0 | 50 | 231033 | 26,49 |
| M20x1.5 | 6.0 - 12.0 | 22 | 6.0 | 88.0 | 50 | 231033.1 | 26,37 |
| M20x1.5 | 10.0 - 14.0 | 24 | 6.0 | 98.0 | 25 | 231033.2 | 28,34 |
| M25x1.5 | 9.0 - 16.0 | 30 | 7.0 | 111.0 | 20 | 231034 | 38,90 |
| M25x1.5 | 13.0 - 18.0 | 30 | 7.0 | 111.0 | 20 | 231034.1 | 38,75 |



Preise gültig ab 01.01.2023 exkl. MwSt., freibleibend, Auftragsrabatt auf Anfrage /

prices are valid from 01.01.2023 excl. VAT, subject to change, discounts upon request

sonst. Konditionen siehe www.gogatec.com/AGB.pdf, techn. Änderungen vorbehalten /

terms & conditions can be found on our website: www.gogatec.com/AGB.pdf; error, technical modifications and variations are reserved

Messing WD -Verschraubungen / brass cable glands

WD Verschraubungen sind montagefreundlich und haben einen großen Klemmbereich /
WD ("waterproof") cable glands are easy-to-install and provide a large clamping range

Material Hutmutter, Zwischenstutzen / material dome nut, gland body: Messing CuZn39Pb3, galv.vernickelt / brass CuZn39Pb3, nickel-plated

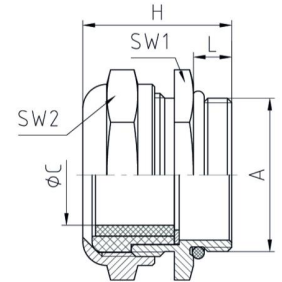
Material Dichteinsatz / material sealing insert: Polychloropren-Nitrilkautschuk CR/NBR / polychloroprene nitrile rubber CR/NBR

Material O-Ring / material o-ring: Nitrilkautschuk NBR / nitrile rubber NBR

Material Druckring / material washer: Messing CuZn39Pb3, galv.vernickelt / brass nickel-plated

Schutzart / protection grade: IP65

Temperaturbereich / temperature range: -30°C - +100°C



GOGAFIX WD Standard metrisch großer Dicht- u. Klemmbereich /

standard metric wide sealing and clamping range

Anschlussgewinde / connection ring: metrisch nach / metric acc. to En 60423, ISO 724

| Anschluss- gewinde | Klemmbereich mm | Gew indel. L mm | Schlüsselweite mm | | Bauhöhe H mm | VPE Stk. | ArtNr | € /Stk. |
|-----------------------|--------------------|--------------------|-------------------|-----|-----------------|-------------|----------|------------|
| thread size | clamping range | thread length | spanner size | | height H | PU | part no. | /pc. |
| M12x1,5 | 4 - 7* | 6 | 14 | 14 | 22,5 | 100 | 232271 | 3,02 |
| M16x1,5 | 7 - 11,5 | 6 | 20 | 20 | 25 | 50 | 232272 | 3,39 |
| M20x1,5 | 8 - 15 | 6 | 24 | 24 | 26 | 50 | 232273 | 5,22 |
| M25x1,5 | 13 - 20 | 7,5 | 32 | 32 | 31 | 50 | 232274 | 8,59 |
| M32x1,5 | 18 - 25,5 | 8 | 38 | 38 | 32 | 25 | 232275 | 14,36 |
| M40x1,5 | 27 - 34,5 | 8 | 50 | 50 | 35 | 10 | 232276 | 29,19 |
| M50x1,5 | 38 - 44,5 | 10 | 58 | 58 | 40 | 5 | 232277 | 57,00 |
| M63x1,5 | 40 - 49 | 11 | 68 | 68 | 46 | 5 | 232278 | 68,00 |
| M72x2,0 | 53 - 60* | 18 | 90 | 90 | 59,5 | 1 | 232281 | 170,00 |
| M75x1,5 | 48 - 55* | 18 | 90 | 90 | 60 | 1 | 232282 | 296,00 |
| M75x1,5 | 53 - 60* | 18 | 90 | 90 | 60 | 1 | 232283 | 296,00 |
| M80x2,0 | 53 - 60* | 18 | 90 | 90 | 60 | 1 | 232284 | 302,00 |
| M85x2,0 | 58 - 64* | 18 | 100 | 100 | 60 | 1 | 232285 | 365,00 |
| M90x2,0 | 63 - 69* | 18 | 100 | 100 | 60 | 1 | 232286 | 378,00 |
| M100x3,0 | 68 - 75* | 22 | 125 | 125 | 75 | 1 | 232287 | 752,00 |



* Dichteinsatz einteilig und kein Druckring / sealing insert one-piece and no washer

GOGAFIX WD klein Sondergrößen f. sehr kleine Kabeldurchmesser /

small special sizes for very small cable diameter

Material Dichtring / material sealing ring: Elastomer / elastomer

Anschlussgewinde / connection ring: metrisch nach / metric acc. to ISO 724

| Anschluss- gewinde | Klemmbereich mm | Gew indel. L mm | Schlüsselweite mm | | Bauhöhe H mm | VPE Stk. | ArtNr | € /Stk. |
|-----------------------|--------------------|--------------------|-------------------|----|-----------------|-------------|----------|------------|
| thread size | clamping range | thread length | spanner size | | height H | PU | part no. | /pc. |
| M6x1,0 | 2 - 3 | 6 | 8 | 8 | 16,5 | 100 | 232221 | 4,35 |
| M8x1,25 | 3 - 5 | 6 | 11 | 11 | 19 | 100 | 232222 | 4,46 |
| M10x1,5 | 4 - 6 | 6 | 12 | 12 | 21 | 100 | 232223 | 6,09 |



Preise gültig ab 01.01.2023 exkl. MwSt., freibleibend, Auftragsrabatt auf Anfrage /

prices are valid from 01.01.2023 excl. VAT, subject to change, discounts upon request

sonst. Konditionen siehe www.gogatec.com/AGB.pdf, techn. Änderungen vorbehalten /

terms & conditions can be found on our website: www.gogatec.com/AGB.pdf; error, technical modifications and variations are reserved

Material Hutmutter, Zwischenstutzen / material dome nut, gland body: Messing CuZn39Pb3, galv. vernickelt / brass CuZn39Pb3, nickel-plated

Material Dichteinsatz / material sealing insert: Polychloropren-Nitrilkautschuk CR/NBR / polychloroprene nitrile rubber CR/NBR

Material O-Ring / material o-ring: Nitrilkautschuk NBR / nitrile rubber NBR

Material Druckring / material washer: Messing CuZn39Pb3, galv. vernickelt / brass nickel-plated

Schutzart / protection grade: IP65

Temperaturbereich / temperature range: -30°C - +100°C

GOGAFIX WD-Standard-Pg großer Dichtbereich / standard Pg wide sealing range

Anschlussgewinde / connection ring: Pg nach / Pg acc. to DIN 40430

| Anschluss- gewinde <i>thread size</i> | Klemmbereich mm <i>clamping range</i> | Gew. indel. L mm <i>thread length</i> | Schlüsselweite mm <i>spanner size</i> | | Bauhöhe H mm <i>height H</i> | VPE Stk. <i>PU</i> | ArtNr <i>part no.</i> | € /Stk. <i>/pc.</i> |
|---|---|---|--|-----|------------------------------------|--------------------------|--------------------------|---------------------------|
| | | | SW1 | SW2 | | | | |
| Pg 7 | 4 - 7* | 6 | 14 | 14 | 21,5 | 100 | 232770 | 2,36 |
| Pg 9 | 5 - 10 | 6,5 | 18 | 18 | 24 | 100 | 232771 | 4,29 |
| Pg 11 | 7 - 11,5 | 6 | 20 | 20 | 24,5 | 50 | 232772 | 4,41 |
| Pg 13,5 | 8 - 15 | 6 | 24 | 24 | 27,5 | 50 | 232773 | 5,69 |
| Pg 16 | 8 - 15 | 6 | 24 | 24 | 27,5 | 50 | 232774 | 5,99 |
| Pg 21 | 13 - 20 | 7,5 | 32 | 32 | 30,5 | 50 | 232775 | 9,69 |
| Pg 29 | 18 - 25,5 | 8 | 38 | 38 | 32 | 25 | 232776 | 15,53 |
| Pg 36 | 27 - 34,5 | 8 | 50 | 50 | 35 | 10 | 232777 | 30,03 |
| Pg 42 | 38 - 44,5 | 10 | 58 | 58 | 40 | 5 | 232778 | 57,00 |
| Pg 48 | 40 - 49 | 11 | 64 | 64 | 46 | 5 | 232779 | 67,70 |



* Dichteinsatz einteilig / one-piece sealing insert

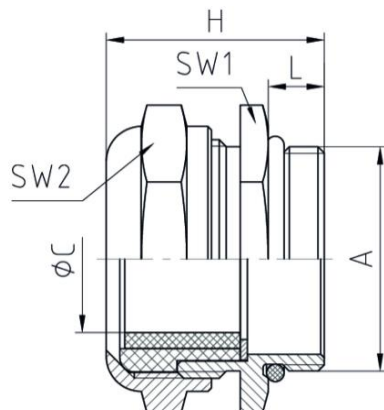
GOGAFIX WD-Standard-G Rohrgewinde großer Dichtbereich / standard G pipethread wide sealing range

Anschlussgewinde / connection ring: Rohrgewinde nach / pipe thread acc. to DIN ISO 228

| Anschluss- gewinde <i>thread size</i> | Klemmbereich mm <i>clamping range</i> | Gew. indel. L mm <i>thread length</i> | Schlüsselweite mm <i>spanner size</i> | | Bauhöhe H mm <i>height H</i> | VPE Stk. <i>PU</i> | ArtNr | € /Stk. <i>/pc.</i> |
|---|---|---|--|-----|------------------------------------|--------------------------|-------------|---------------------------|
| | | | SW1 | SW2 | | | | |
| G 1/2" | 8 - 15 | 8 | 24 | 24 | 29,5 | 50 | 232270Z1/2 | 11,58 |
| G 1" | 18 - 25,5 | 11 | 40 | 40 | 36 | 25 | 232271Z1 | 31,23 |
| G 2" | 40 - 49 | 11 | 64 | 64 | 46 | 5 | 232272Z2 | 67,70 |
| G 2 1/2" | 48 - 55 | 18 | 90 | 90 | 60,5 | 1 | 232273Z21/2 | 304,00 |
| G 2 1/2" | 53 - 60 | 18 | 90 | 90 | 60,5 | 1 | 232274Z21/2 | 375,00 |
| G 3" | 58 - 64* | 18 | 100 | 100 | 60,5 | 1 | 232275Z3 | 330,00 |
| G 3" | 63 - 69* | 18 | 100 | 100 | 60,5 | 1 | 232276Z3 | 481,00 |
| G 4" | 68 - 75 | 22 | 125 | 125 | 75 | 1 | 232277Z4 | 1 441,00 |



* Dichteinsatz einteilig / one-piece sealing insert

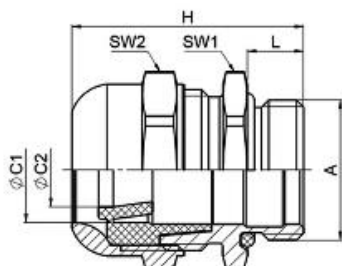


Preise gültig ab 01.01.2023 exkl. MwSt., freibleibend, Auftragsrabatt auf Anfrage /

prices are valid from 01.01.2023 excl. VAT, subject to change, discounts upon request

sonst. Konditionen siehe www.gogatec.com/AGB.pdf, techn. Änderungen vorbehalten /

terms & conditions can be found on our website: www.gogatec.com/AGB.pdf; error, technical modifications and variations are reserved



Dichteinsatz mit leicht entfernbarem Innenring zur schnellen Anpassung auf größeren Kabeldurchmesser / sealing insert with easy-to-removed inner ring for rapid adjustment to larger cable diameter

GOGAFIX WD-H metrisch / metric wide sealing range

Bes. geeignet b. hohen thermischen Belastungen u. Temperaturschwankungen i. Bereich v. -40°C - +200°C / especially suited to applications involving high thermal stress and temperature fluctuations in the range from -40°C to +200°C

Material Hutmutter, Zwischenstutzen / material dome nut, gland body: Messing CuZn39Pb3, galv. vernickelt / Brass CuZn39Pb3, nickel-plated

Material Dichteinsatz, O-Ring / material sealing insert, o-ring: Fluorkautschuk FKM / Fluorine rubber FKM

Schutzart / protection grade: IP66 / IP67 / IP69

Temperaturbereich / temperature range: -40°C - +200°C

Prüfnorm / test standard: EN62444

Anschlussgewinde / connection ring: metrisch nach / metric acc. to EN 60423

| Anschluss- gewinde thread size | Klemmbereich mm / clamping range mm | | | Gewinde-L mm thread length | Schlüssel-W. mm SW1 SW2 spanner size mm | | Bauhöhe H mm height H | VPE Stk. PU | ArtNr part no. | € /Stk. /pc. |
|--------------------------------------|--|------------|-------------|----------------------------------|---|----|-----------------------------|-------------------|-------------------|--------------------|
| | Ø C | Ø C2 | Ø C1 | | | | | | | |
| M12x1,5 | 3,0 - 8,0 | 3,0 - 5,0 | 5,0 - 8,0 | 6,5 | 16 | 16 | 25,5 | 100 | 232230 | 14,43 |
| M16x1,5 | 5,0 - 10,5 | 5,0 - 7,5 | 7,5 - 10,5 | 7,0 | 20 | 20 | 31,5 | 100 | 232231 | 18,67 |
| M20x1,5 | 8,0 - 15 | 8,0 - 10,5 | 10,5 - 15 | 8,0 | 25 | 25 | 33,0 | 50 | 232232 | 23,69 |
| M25x1,5 | 14 - 20,5 | 14 - 15,5 | 15,5 - 20,5 | 8,0 | 32 | 32 | 35,5 | 50 | 232233 | 26,87 |
| M32x1,5 | 18 - 25,5 | 18 - 20,5 | 20,5 - 25,5 | 9,0 | 36 | 36 | 40,5 | 25 | 232234 | 38,34 |
| M40x1,5 | 24 - 33 | 24 - 29 | 29 - 33 | 9,0 | 45 | 45 | 43,0 | 10 | 232235 | 52,80 |
| M50x1,5 | 32 - 42 | 32 - 37,5 | 37,5 - 42 | 10,0 | 55 | 55 | 47,5 | 5 | 232236 | 79,70 |
| M63x1,5 | 40 - 53 | 40 - 46 | 46 - 53 | 10,0 | 70 | 70 | 53,0 | 5 | 232237 | 142,80 |



GOGAFIX WD-1 metrisch / metric wide sealing range

Wasserdicht bis 10 bar (100 m Wassersäule) / waterproof until 10 bar

Material Hutmutter, Zwischenstutzen / material dome nut, gland body: Messing CuZn39Pb3, galv. vernickelt / Brass CuZn39Pb3, nickel-plated

Material Dichteinsatz / material sealing insert: TPE TPS – erfüllt UL 94 HB / TPE TPS fulfills UL 94 HB

Material O-Ring / material o-ring: Nitrilkautschuk NBR / Nitrile rubber NBR

Schutzart / protection grade: IP66 / IP68 für / for 30 min.

Temperaturbereich / temperature range: -40°C - +100°C

Prüfnorm / test standard: EN62444

Anschlussgewinde / connection ring: metrisch nach / metric acc. to EN60423

| Anschluss- gewinde thread size | Klemmbereich mm / clamping range mm | | | Gewinde-L mm thread length | Schlüssel-W. mm SW1 SW2 spanner size mm | | Bauhöhe H mm height H | VPE Stk. PU | ArtNr part no. | € /Stk. /pc. |
|--------------------------------------|--|-----------|-------------|----------------------------------|---|----|-----------------------------|-------------------|-------------------|--------------------|
| | Ø C | Ø C2 | Ø C1 | | | | | | | |
| M12x1,5 | 3 - 8 | 3 - 5 | 5 - 8 | 6,5 | 16 | 16 | 25,5 | 100 | 232200 | 4,51 |
| M16x1,5 | 5 - 10,5 | 5 - 7,5 | 7,5 - 10,5 | 7,0 | 20 | 20 | 31,5 | 100 | 232201 | 4,82 |
| M20x1,5 | 8 - 15 | 8 - 10,5 | 10,5 - 15 | 8,0 | 25 | 25 | 33,0 | 50 | 232202 | 5,52 |
| M25x1,5 | 14 - 20,5 | 14 - 15,5 | 15,5 - 20,5 | 8,0 | 32 | 32 | 35,5 | 50 | 232203 | 8,13 |
| M32x1,5 | 18 - 25,5 | 18 - 20,5 | 20,5 - 25,5 | 9,0 | 36 | 36 | 40,5 | 25 | 232204 | 13,36 |
| M40x1,5 | 24 - 33 | 24 - 29 | 29 - 33 | 9,0 | 45 | 45 | 43,0 | 10 | 232205 | 18,44 |
| M50x1,5 | 32 - 42 | 32 - 37,5 | 37,5 - 42 | 10,0 | 55 | 55 | 47,5 | 5 | 232206 | 38,03 |
| M63x1,5 | 40 - 53 | 40 - 46 | 46 - 53 | 10,0 | 70 | 70 | 53,0 | 5 | 232207 | 56,10 |



Preise gültig ab 01.01.2023 exkl. MwSt., freibleibend, Auftragsrabatt auf Anfrage /

prices are valid from 01.01.2023 excl. VAT, subject to change, discounts upon request

sonst. Konditionen siehe www.gogatec.com/AGB.pdf, techn. Änderungen vorbehalten /

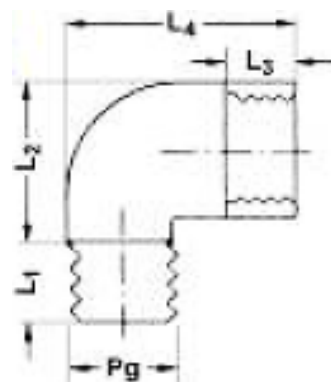
terms & conditions can be found on our website: www.gogatec.com/AGB.pdf; error, technical modifications and variations are reserved

GOGAFIX WVZ Winkel metrisch/PG / angle metric/PG

Material: Zinkdruckguss verzinkt / zinc die-casting, nickel-plated
Schutzart / protection grade: max. IP68 (je nach Kombination) / (depending on combination)
Temperaturbereich / temperature range: -20°C - +100°C
Normen / standards: EN 60423
Gewicht / weight: auf Anfrage / upon request



| Anschluss- gew inde thread size | Innen-Ø mm inner-Ø | Abmessungen mm L1 L2 L3 L4 dimensions | | | | VPE Stk. PU | ArtNr | €/Stk. /pc. |
|---------------------------------------|--------------------------|---|------|-------|-------|-------------------|--------|----------------|
| | | M 16 x 1,5 | 12,2 | 12,0 | 26,0 | | | |
| M 20 x 1,5 | 16 | 12,0 | 30,0 | 10,50 | 36,00 | 50 | 231143 | 8,77 |
| M 25 x 1,5 | 21 | 12,0 | 36,5 | 11,00 | 44,00 | 25 | 231144 | 9,40 |
| M 32 x 1,5 | 27,6 | 14,0 | 43,5 | 12,00 | 53,00 | 25 | 231145 | 12,97 |
| M 40 x 1,5 | 35 | 14,0 | 53,0 | 13,00 | 64,00 | 10 | 231146 | 18,42 |



| Anschluss- gew inde thread size | Innen-Ø mm inner-Ø | Abmessungen mm L1 L2 L3 L4 dimensions | | | | VPE Stk. PU | ArtNr | €/Stk. /pc. |
|---------------------------------------|--------------------------|---|------|-------|-------|-------------------|--------|----------------|
| | | PG 9 | 12,5 | 6,0 | 19,0 | | | |
| PG 11 | 15 | 6,0 | 22,0 | 9,50 | 30,00 | 50 | 231642 | 5,07 |
| PG 13,5 | 17 | 6,5 | 24,0 | 10,50 | 33,00 | 25 | 231643 | 5,95 |
| PG 16 | 18,5 | 6,5 | 27,0 | 11,50 | 36,00 | 25 | 231644 | 6,39 |
| PG 21 | 24 | 7,0 | 33,0 | 13,00 | 43,00 | 10 | 231645 | 8,97 |
| PG 29 | 32 | 8,0 | 44,0 | 14,50 | 55,00 | 10 | 231646 | 18,33 |

Preise gültig ab 01.01.2023 exkl. MwSt., freibleibend, Auftragsrabatt auf Anfrage /
 prices are valid from 01.01.2023 excl. VAT, subject to change, discounts upon request
 sonst. Konditionen siehe www.gogatec.com/AGB.pdf, techn. Änderungen vorbehalten /
 terms & conditions can be found on our website: www.gogatec.com/AGB.pdf; error, technical modifications and variations are reserved

GOGAFIX WVA1 Winkel m. Inspektionsdeckel metrisch/PG/Zoll / angle w. insp. cover metric/PG/inch

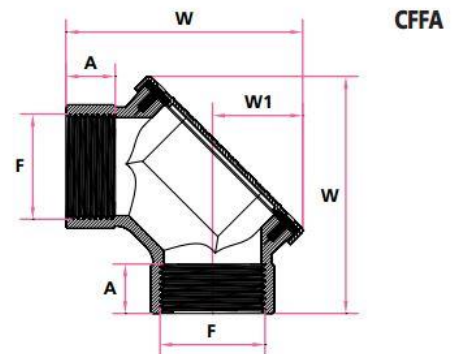
Innengewinde/Innengewinde / inside thread/inside thread

Material: Aludruckguss / aluminium alloy
Temperaturbereich / temperature range: -40°C - +100°C
Schrauben / screws: Edelstahl AISI 304 / stainless steel

| Anschluss- gew inde thread size | Abmessungen mm dimensions | | | VPE Stk. ArtNr | | €/Stk. /pc. |
|---------------------------------------|------------------------------|-------|-------|-------------------|------------|----------------|
| | A | W | W1 | Stk. | ArtNr | |
| Metrisch | | | | | | |
| M 16x1,5 | 10,0 | 50,0 | 18,00 | 20 | 32-CFFAM16 | 6,14 |
| M 20x1,5 | 12,0 | 55,0 | 22,00 | 10 | 32-CFFAM20 | 8,79 |
| M 25x1,5 | 20,0 | 73,0 | 29,00 | 10 | 32-CFFAM25 | 11,27 |
| M 32x1,5 | 20,0 | 81,5 | 36,00 | 5 | 32-CFFAM32 | 12,21 |
| M 40x1,5 | 20,0 | 96,0 | 36,00 | 5 | 32-CFFAM40 | 24,49 |
| M 50x1,5 | 20,0 | 110,0 | 36,00 | 5 | 32-CFFAM50 | 32,11 |

| Anschluss- gew inde thread size | Abmessungen mm dimensions | | | VPE Stk. ArtNr | | €/Stk. /pc. |
|---------------------------------------|------------------------------|-------|-------|-------------------|----------------|----------------|
| | A | W | W1 | Stk. | ArtNr | |
| PG | | | | | | |
| PG 9 | 10,0 | 45,0 | 18,00 | 20 | 32-CFFAP09PG09 | 6,04 |
| PG 11 | 10,0 | 50,0 | 18,00 | 20 | 32-CFFAP12PG11 | 6,04 |
| PG 13,5 | 12,0 | 55,0 | 22,00 | 10 | 32-CFFAP15PG13 | 6,87 |
| PG 16 | 12,0 | 55,0 | 22,00 | 10 | 32-CFFAP15PG16 | 8,63 |
| PG 21 | 20,0 | 73,0 | 29,00 | 10 | 32-CFFAP20PG21 | 8,89 |
| PG 29 | 20,0 | 81,5 | 36,00 | 5 | 32-CFFAP25PG29 | 11,50 |
| PG 36 | 20,0 | 110,0 | 36,00 | 5 | 32-CFFAP35PG36 | 32,34 |
| PG 48 | 23,0 | 128,0 | 45,00 | 2 | 32-CFFAP50PG48 | 39,17 |

| Anschluss- gew inde thread size | Abmessungen mm dimensions | | | VPE Stk. ArtNr | | €/Stk. /pc. |
|---------------------------------------|------------------------------|-------|-------|-------------------|-------------|----------------|
| | A | W | W1 | Stk. | ArtNr | |
| GAS | | | | | | |
| G 1/4" | 10,0 | 45,0 | 18,00 | 20 | 32-CFFAG09 | 6,27 |
| G 3/8" | 10,0 | 50,0 | 18,00 | 20 | 32-CFFAG12 | 6,07 |
| G 1/2" | 12,0 | 55,0 | 22,00 | 10 | 32-CFFAG15 | 6,24 |
| G 3/4" | 20,0 | 73,0 | 29,00 | 10 | 32-CFFAG20 | 8,92 |
| G 1" | 20,0 | 81,5 | 36,00 | 5 | 32-CFFAG25 | 11,61 |
| G 1 1/4" | 20,0 | 96,0 | 36,00 | 5 | 32-CFFAG30A | 23,14 |
| G 1 1/2" | 20,0 | 110,0 | 36,00 | 5 | 32-CFFAG35 | 32,11 |
| G 2" | 23,0 | 128,0 | 45,00 | 2 | 32-CFFAG50 | 39,17 |



Preise gültig ab 01.01.2023 exkl. MwSt., freibleibend, Auftragsrabatt auf Anfrage /
 prices are valid from 01.01.2023 excl. VAT, subject to change, discounts upon request
 sonst. Konditionen siehe www.gogatec.com/AGB.pdf, techn. Änderungen vorbehalten /
 terms & conditions can be found on our website: www.gogatec.com/AGB.pdf; error, technical modifications and variations are reserved

GOGAFIX WVA2 Winkel m. Inspektionsdeckel metrisch/PG/Zoll / angle w. insp. cover metric/PG/inch

Innengewinde/Außengewinde / inside thread/outside thread

Material: Aludruckguss / aluminium alloy

Temperaturbereich / temperature range: -40°C - +100°C

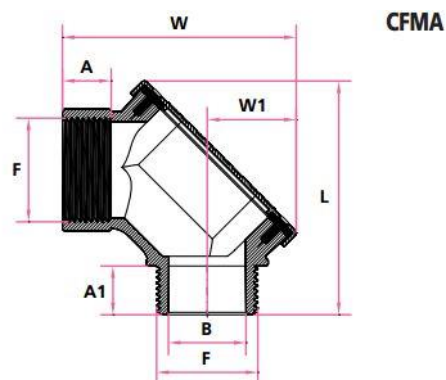
Schrauben / screws: Edelstahl AISI 304 / stainless steel

| Anschluss- gewinde thread size | Innen-Ø mm inner-Ø | Abmessungen mm dimensions | | | | | VPE | | ArtNr | €/Stk. /pc. |
|--------------------------------------|--------------------------|------------------------------|------|-------|-------|-------|------|-------------|-------|----------------|
| | | A | A1 | L | W | W1 | Stk. | PU | | |
| Metrisch | | | | | | | | | | |
| M 16x1,5 | 11 | 10,0 | 13,0 | 57,0 | 50,0 | 18,00 | 20 | 32-CFMA M16 | 7,00 | |
| M 20x1,5 | 11 | 12,0 | 12,0 | 68,0 | 55,0 | 22,00 | 10 | 32-CFMA M20 | 8,13 | |
| M 25x1,5 | 19 | 20,0 | 19,0 | 92,0 | 73,0 | 29,00 | 10 | 32-CFMA M25 | 14,95 | |
| M 32x1,5 | 23,5 | 20,0 | 18,0 | 100,0 | 81,5 | 36,00 | 5 | 32-CFMA M32 | 14,88 | |
| M 40x1,5 | 32 | 20,0 | 20,0 | 96,0 | 96,0 | 36,00 | 5 | 32-CFMA M40 | 30,82 | |
| M 50x1,5 | 39 | 20,0 | 20,0 | 110,0 | 110,0 | 36,00 | 5 | 32-CFMA M50 | 36,68 | |



| Anschluss- gewinde thread size | Innen-Ø mm inner-Ø | Abmessungen mm dimensions | | | | | VPE | | ArtNr | €/Stk. /pc. |
|--------------------------------------|--------------------------|------------------------------|------|-------|-------|-------|------|-----------------|-------|----------------|
| | | A | A1 | L | W | W1 | Stk. | PU | | |
| PG | | | | | | | | | | |
| PG 9 | 9 | 10,0 | 13,0 | 56,0 | 45,0 | 18,00 | 20 | 32-CFMA P09PG09 | 6,64 | |
| PG 11 | 11 | 10,0 | 13,0 | 57,0 | 50,0 | 18,00 | 20 | 32-CFMA P12PG11 | 6,90 | |
| PG 13,5 | 15,5 | 12,0 | 12,0 | 68,0 | 55,0 | 22,00 | 10 | 32-CFMA P15PG13 | 7,20 | |
| PG 16 | 15,5 | 12,0 | 12,0 | 68,0 | 55,0 | 22,00 | 10 | 32-CFMA P15PG16 | 7,20 | |
| PG 21 | 21 | 20,0 | 19,0 | 92,0 | 73,0 | 29,00 | 10 | 32-CFMA P20PG21 | 11,41 | |
| PG 29 | 28 | 20,0 | 18,0 | 100,0 | 81,5 | 36,00 | 5 | 32-CFMA P25PG29 | 14,45 | |
| PG 36 | 40 | 20,0 | 20,0 | 110,0 | 110,0 | 36,00 | 5 | 32-CFMA P35PG36 | 36,85 | |
| PG 48 | 50 | 23,0 | 22,0 | 128,0 | 128,0 | 45,00 | 2 | 32-CFMA P50PG48 | 52,40 | |

| Anschluss- gewinde thread size | Innen-Ø mm inner-Ø | Abmessungen mm dimensions | | | | | VPE | | ArtNr | €/Stk. /pc. |
|--------------------------------------|--------------------------|------------------------------|------|-------|-------|-------|------|--------------|-------|----------------|
| | | A | A1 | L | W | W1 | Stk. | PU | | |
| GAS | | | | | | | | | | |
| G 1/4" | 8 | 10,0 | 13,0 | 56,0 | 45,0 | 18,00 | 20 | 32-CFMA G09 | 6,60 | |
| G 3/8" | 11 | 10,0 | 13,0 | 57,0 | 50,0 | 18,00 | 20 | 32-CFMA G12 | 6,60 | |
| G 1/2" | 16 | 12,0 | 12,0 | 68,0 | 55,0 | 22,00 | 10 | 32-CFMA G15 | 7,23 | |
| G 3/4" | 20 | 20,0 | 19,0 | 92,0 | 73,0 | 29,00 | 10 | 32-CFMA G20 | 9,78 | |
| G 1" | 24 | 20,0 | 18,0 | 100,0 | 81,5 | 36,00 | 5 | 32-CFMA G25 | 12,53 | |
| G 1 1/4" | 32 | 20,0 | 20,0 | 96,0 | 96,0 | 36,00 | 5 | 32-CFMA G30A | 31,05 | |
| G 1 1/2" | 39 | 20,0 | 20,0 | 110,0 | 110,0 | 36,00 | 5 | 32-CFMA G35 | 36,25 | |
| G 2" | 50 | 23,0 | 22,0 | 128,0 | 128,0 | 45,00 | 2 | 32-CFMA G50 | 52,00 | |



Preise gültig ab 01.01.2023 exkl. MwSt., freibleibend, Auftragsrabatt auf Anfrage /

prices are valid from 01.01.2023 excl. VAT, subject to change, discounts upon request

sonst. Konditionen siehe www.gogatec.com/AGB.pdf, techn. Änderungen vorbehalten /

terms & conditions can be found on our website: www.gogatec.com/AGB.pdf; error, technical modifications and variations are reserved